



Dealers Industrial Equipment

No.:

Date: 12-SEP-2016

Customer :

TECHNICAL PROPOSAL

Three-phase induction motor - Squirrel cage rotor

Product line : Jet Pump - NEMA 56 : Three-Phase - Threaded - TEFC (IP55)

Catalog Number : 00156ES3EJPR56J

List Price : \$378

Notes:

Downloaded from <http://dealerselectric.com>

Generated for Model #00156ES3EJPR56J

Performed by:

Checked:



Dealers Industrial Equipment

No.:

Date: 12-SEP-2016

DATA SHEET

Three-phase induction motor - Squirrel cage rotor

Customer :
 Product line : Jet Pump - NEMA 56 : Three-Phase - Threaded - TEFC (IP55)

Frame : B56J
 Output : 1.5 HP
 Frequency : 60 Hz
 Poles : 2
 Full load speed : 3440 rpm
 Slip : 4.44 %
 Voltage : 208-230/460 V
 Rated current : 4.25-3.90/1.95 A
 Locked rotor current : 33.2/16.6 A
 Locked rotor current (I_L/I_n) : 8.5
 No-load current : 1.72/0.860 A
 Full load torque : 2.26 lb.ft
 Locked rotor torque : 450 %
 Breakdown torque : 350 %
 Design : A
 Insulation class : F
 Temperature rise : 80 K
 Locked rotor time : 15 s (hot)
 Service factor : 1.15 (1.00 at 208V)
 Duty cycle : S1
 Ambient temperature : -20°C - +40°C
 Altitude : 1000 m
 Degree of Protection : IP55
 Approximate weight : 34 lb
 Moment of inertia : 0.05102 sq.ft.lb
 Noise level : ---

	D.E.	N.D.E.	Load	Power factor	Efficiency (%)
Bearings	6203 2RS	6202 2RS	100%	0.88	82.5
Regreasing interval	---	---	75%	0.82	80.0
Grease amount	---	---	50%	0.72	76.0

Notes:
 Downloaded from <http://dealerselectric.com>
 Generated for Model #00156ES3EJPR56J

Performed by

Checked



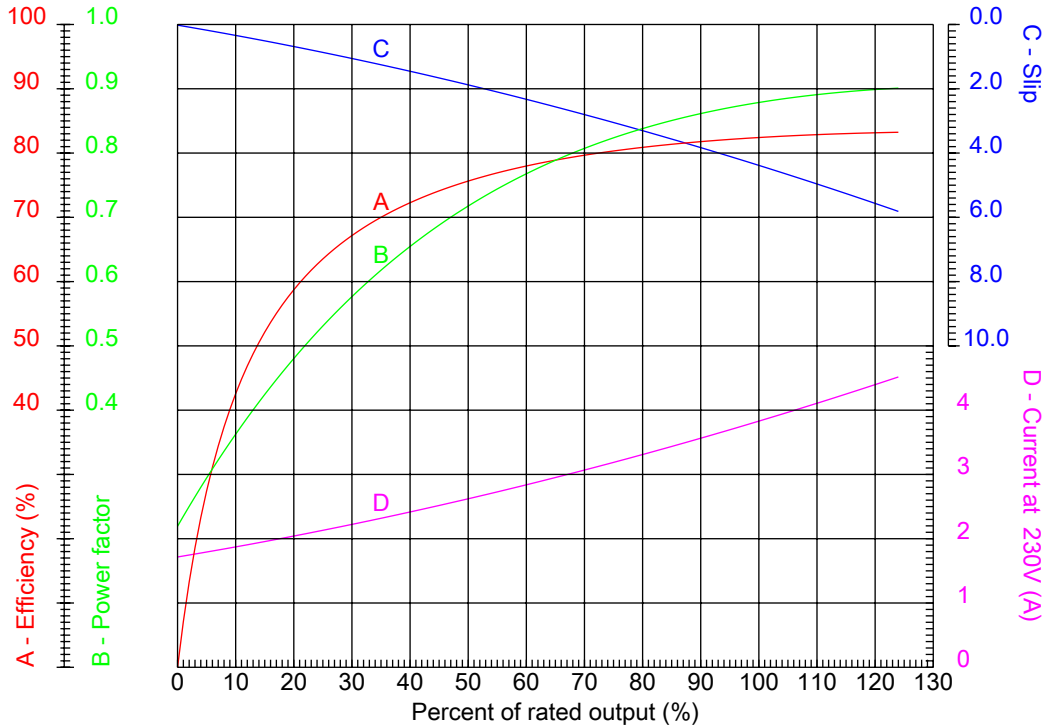
Dealers Industrial Equipment

No.:

Date: 12-SEP-2016

PERFORMANCE CURVES RELATED TO RATED OUTPUT

Three-phase induction motor - Squirrel cage rotor



Customer :
 Product line : Jet Pump - NEMA 56 : Three-Phase - Threaded - TEFC (IP55)

Frame	: B56J	Locked rotor current (I _l /I _n)	: 8.5
Output	: 1.5 HP	Duty cycle	: S1
Frequency	: 60 Hz	Service factor	: 1.15 (1.00 at 208V)
Full load speed	: 3440 rpm	Design	: A
Voltage	: 208-230/460 V	Locked rotor torque	: 450 %
Rated current	: 4.25-3.90/1.95 A	Breakdown torque	: 350 %
Insulation class	: F		

Notes:
 Downloaded from <http://dealerselectric.com>
 Generated for Model #00156ES3EJPR56J

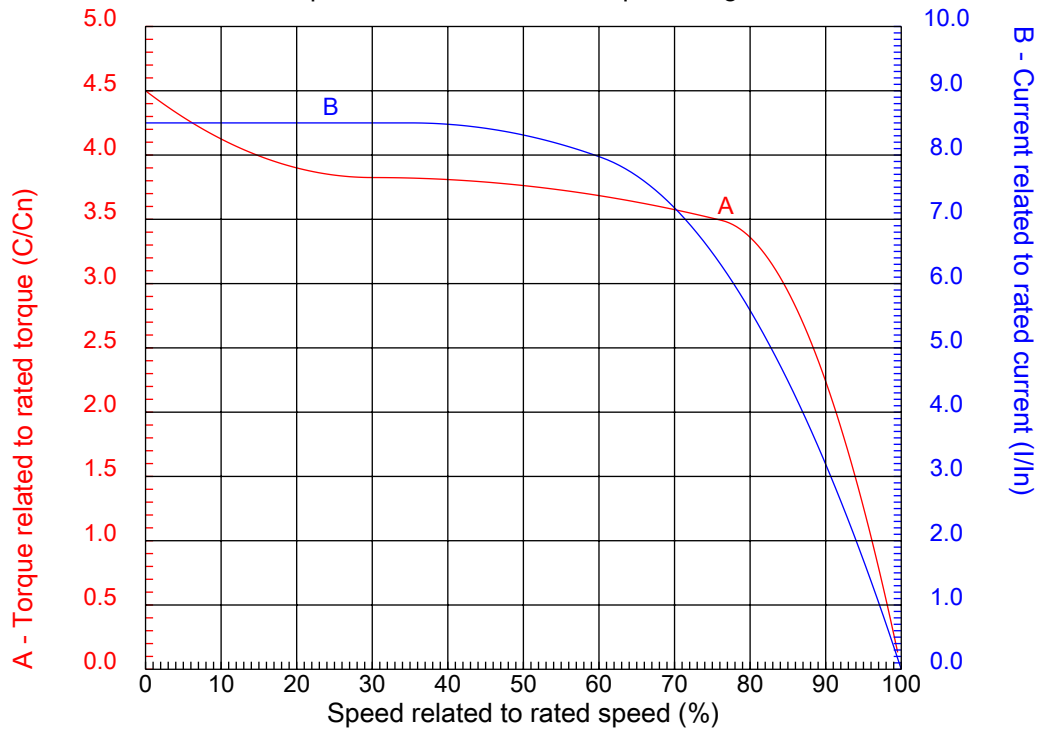
Performed by

Checked



CHARACTERISTIC CURVES RELATED TO SPEED

Three-phase induction motor - Squirrel cage rotor



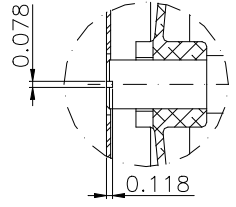
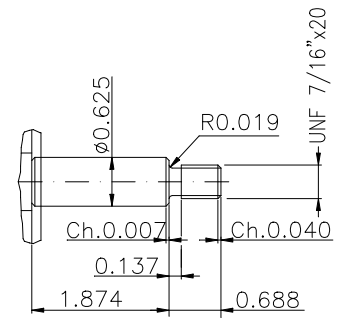
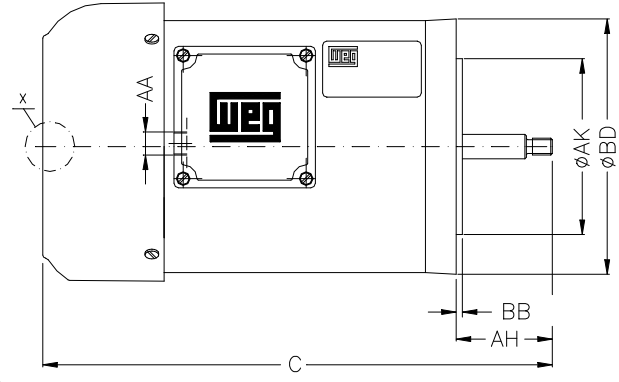
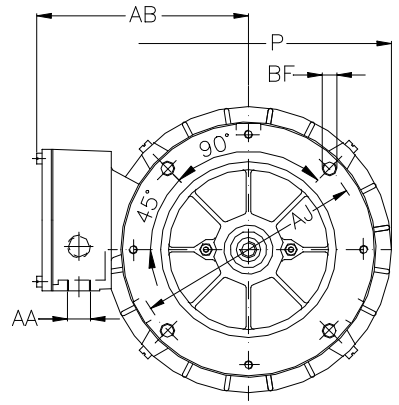
Customer :
Product line : Jet Pump - NEMA 56 : Three-Phase - Threaded - TEFC (IP55)

Frame	: B56J	Locked rotor current (I _l /I _n)	: 8.5
Output	: 1.5 HP	Duty cycle	: S1
Frequency	: 60 Hz	Service factor	: 1.15 (1.00 at 208V)
Full load speed	: 3440 rpm	Design	: A
Voltage	: 208-230/460 V	Locked rotor torque	: 450 %
Rated current	: 4.25-3.90/1.95 A	Breakdown torque	: 350 %
Insulation class	: F		

Notes:
Downloaded from <http://dealerselectric.com>
Generated for Model #00156ES3EJPR56J

Performed by

Checked



THREE-PHASE, FORM J, WITH INTERNAL
 THREAD OF 1/4"x28 UNF AT SHAFT-END,
 FOR CLAMPING THE PUMP ROTOR.

DETAIL X

Notes: Downloaded from <http://dealerselectric.com>
 Generated for Model #00156ES3EJPR56J

Performed by:

Checked:

Customer:

Jet Pump - NEMA 56 : Three-Phase - Threaded - TEFC (IP55)

C	P	N-W	U	AB
11.614	7.323	1.874	0.6250	5.433
AA	Flange	AJ	AK	BD
NPT 1/2"	FC-149	5.874	4.500	6.535
BF	BB	AH		
UNC 3/8"x16-2B	0.157	2.563		

Three-phase induction motor
 Frame B56J - IP55

12-SEP-2016

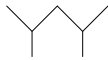
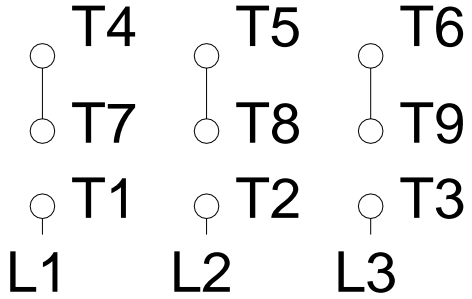
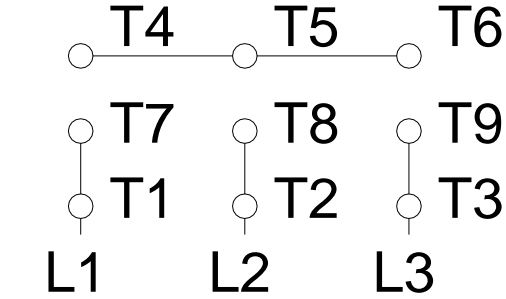


1 2 3 4 5 6 7 8

A
B
C
D
E
F

LOW VOLTAGE

HIGH VOLTAGE



Notes: Downloaded from http://dealerselectric.com Generated for Model #00156ES3EJPR56J		
Performed by:		
Checked:		
Customer:		
Jet Pump - NEMA 56 : Three-Phase - Threaded - TEFC (IP55)		
Three-phase induction motor Frame B56J - IP55	12-SEP-2016	