



Dealers Industrial Equipment

No.:

Date: 12-SEP-2016

Customer :

TECHNICAL PROPOSAL

Three-phase induction motor - Squirrel cage rotor

Product line : Jet Pump: Three-Phase - W01 (Rolled Steel) - Keyed - TEFC - Standard  
Efficiency  
Catalog Number : 00156ES3EJPR56C-S  
List Price : \$371

Notes:

Downloaded from <http://dealerselectric.com>  
Generated for Model #00156ES3EJPR56C-S

Performed by:

Checked:



# Dealers Industrial Equipment

No.:

Date: 12-SEP-2016

## DATA SHEET Three-phase induction motor - Squirrel cage rotor

Customer :  
 Product line : Jet Pump: Three-Phase - W01 (Rolled Steel) - Keyed - TEFC - Standard Efficiency

Frame : 56C  
 Output : 1.5 HP  
 Frequency : 60 Hz  
 Poles : 2  
 Full load speed : 3460 rpm  
 Slip : 3.89 %  
 Voltage : 208-230/460 V  
 Rated current : 4.40-3.98/1.99 A  
 Locked rotor current : 28.7/14.3 A  
 Locked rotor current (I<sub>L</sub>/I<sub>n</sub>) : 7.2  
 No-load current : 1.63/0.815 A  
 Full load torque : 2.25 lb.ft  
 Locked rotor torque : 240 %  
 Breakdown torque : 270 %  
 Design : A  
 Insulation class : F  
 Temperature rise : 80 K  
 Locked rotor time : 12 s (hot)  
 Service factor : 1.15  
 Duty cycle : S1  
 Ambient temperature : -20°C - +40°C  
 Altitude : 1000 m  
 Degree of Protection : IP55  
 Approximate weight : 26 lb  
 Moment of inertia : 0.07712 sq.ft.lb  
 Noise level : 68 dB(A)

	D.E.	N.D.E.	Load	Power factor	Efficiency (%)
Bearings	6203 ZZ	6202 ZZ	100%	0.90	77.0
Regreasing interval	---	---	75%	0.85	75.5
Grease amount	---	---	50%	0.76	72.0

Notes:  
 Downloaded from <http://dealerselectric.com>  
 Generated for Model #00156ES3EJPR56C-S

Performed by

Checked



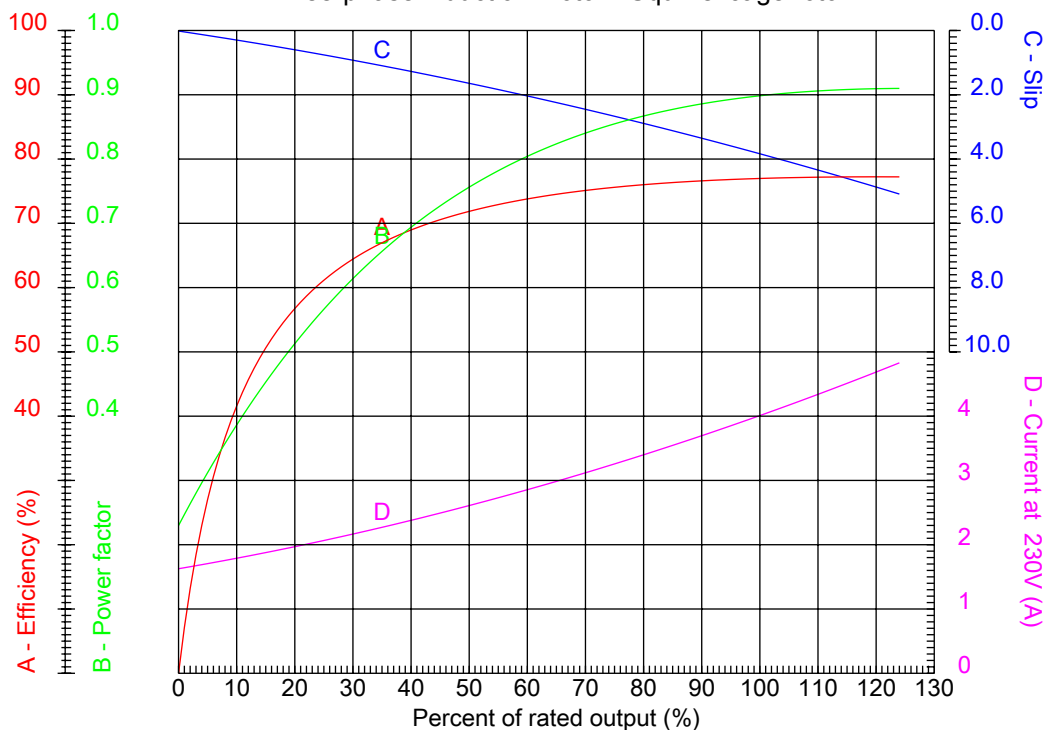
# Dealers Industrial Equipment

No.:

Date: 12-SEP-2016

## PERFORMANCE CURVES RELATED TO RATED OUTPUT

Three-phase induction motor - Squirrel cage rotor



Customer :  
 Product line : Jet Pump: Three-Phase - W01 (Rolled Steel) - Keyed - TEFC - Standard Efficiency

Frame	: 56C	Locked rotor current (I <sub>l</sub> /I <sub>n</sub> )	: 7.2
Output	: 1.5 HP	Duty cycle	: S1
Frequency	: 60 Hz	Service factor	: 1.15
Full load speed	: 3460 rpm	Design	: A
Voltage	: 208-230/460 V	Locked rotor torque	: 240 %
Rated current	: 4.40-3.98/1.99 A	Breakdown torque	: 270 %
Insulation class	: F		

Notes:  
 Downloaded from <http://dealerselectric.com>  
 Generated for Model #00156ES3EJPR56C-S

Performed by

Checked



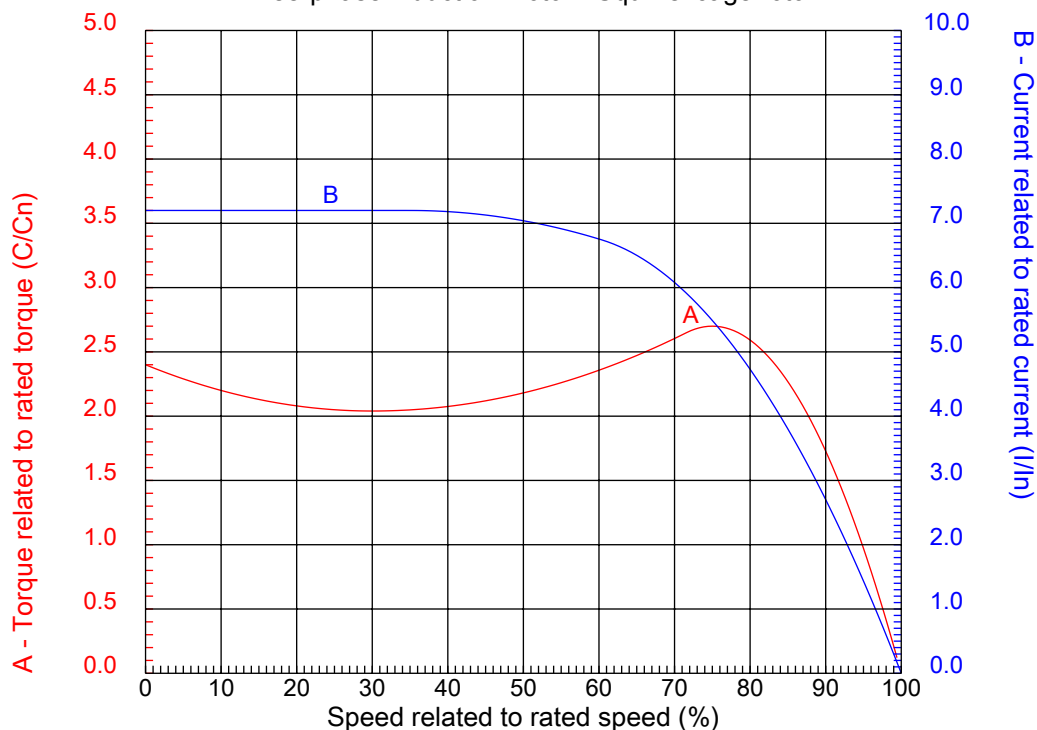
# Dealers Industrial Equipment

No.:

Date: 12-SEP-2016

## CHARACTERISTIC CURVES RELATED TO SPEED

Three-phase induction motor - Squirrel cage rotor



Customer :  
Product line : Jet Pump: Three-Phase - W01 (Rolled Steel) - Keyed - TEFC - Standard Efficiency

Frame : 56C	Locked rotor current (I/I <sub>n</sub> ) : 7.2
Output : 1.5 HP	Duty cycle : S1
Frequency : 60 Hz	Service factor : 1.15
Full load speed : 3460 rpm	Design : A
Voltage : 208-230/460 V	Locked rotor torque : 240 %
Rated current : 4.40-3.98/1.99 A	Breakdown torque : 270 %
Insulation class : F	

Notes:  
Downloaded from <http://dealerselectric.com>  
Generated for Model #00156ES3EJPR56C-S

Performed by

Checked

1 2 3 4 5 6 7 8

A

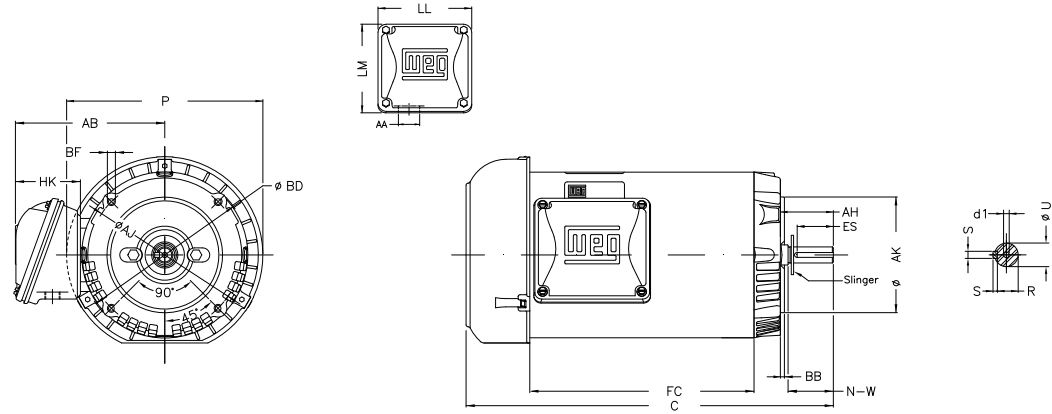
B

C

D

E

F



Notes: Downloaded from <http://dealerselectric.com>  
Generated for Model #00156ES3EJPR56C-S

Performed by:

Checked:

Customer:

Jet Pump: Three-Phase - W01 (Rolled Steel) - Keyed - TEFC - Standard

P	AB	AA	U	ES
7.638	5.882	0.881"	0.625	1.417
C	FC	Flange	AJ	AK
12.323	6.693	FC-149	5.874	4.500
BD	BF	BB	AH	
6.450	UNC 3/8"x16-2B	0.157	2.062	

Three-phase induction motor  
Frame 56C - IP55

12-SEP-2016

