



Dealers Industrial Equipment

No.:

Date: 12-SEP-2016

Customer :

TECHNICAL PROPOSAL

Single-phase induction motor - Squirrel cage rotor

Product line : Single-Phase : NEMA 56 TEFC - With Manual Overload Protection

Catalog Number : 00156ES1BOLD56

List Price : \$463

Notes:

Downloaded from <http://dealerselectric.com>

Generated for Model #00156ES1BOLD56

Performed by:

Checked:



Dealers Industrial Equipment

No.:

Date: 12-SEP-2016

DATA SHEET Single-phase induction motor - Squirrel cage rotor

Customer :
Product line : Single-Phase : NEMA 56 TEFC - With Manual Overload Protection

Frame : D56
Output : 1.5 HP
Frequency : 60 Hz
Poles : 2
Full load speed : 3480 rpm
Slip : 3.33 %
Voltage : 115/208-230 V
Rated current : 17.1/8.80-8.55 A
Locked rotor current : 116/58.1 A
Locked rotor current (I_L/I_n) : 6.8
No-load current : 10.8/5.40 A
Full load torque : 2.23 lb.ft
Locked rotor torque : 250 %
Breakdown torque : 250 %
Design : ---
Insulation class : B
Temperature rise : 80 K
Locked rotor time : 6 s (hot)
Service factor : 1.15 (1.00 at 208V)
Duty cycle : S1
Ambient temperature : -20°C - +40°C
Altitude : 1000 m
Degree of Protection : IP55
Approximate weight : 35 lb
Moment of inertia : 0.05933 sq.ft.lb
Noise level : ---

	D.E.	N.D.E.	Load	Power factor	Efficiency (%)
Bearings	6204 ZZ	6202 ZZ	100%	0.80	70.0
Regreasing interval	---	---	75%	0.72	69.0
Grease amount	---	---	50%	0.61	62.0

Notes:

Downloaded from <http://dealerselectric.com>
Generated for Model #00156ES1BOLD56

Performed by

Checked



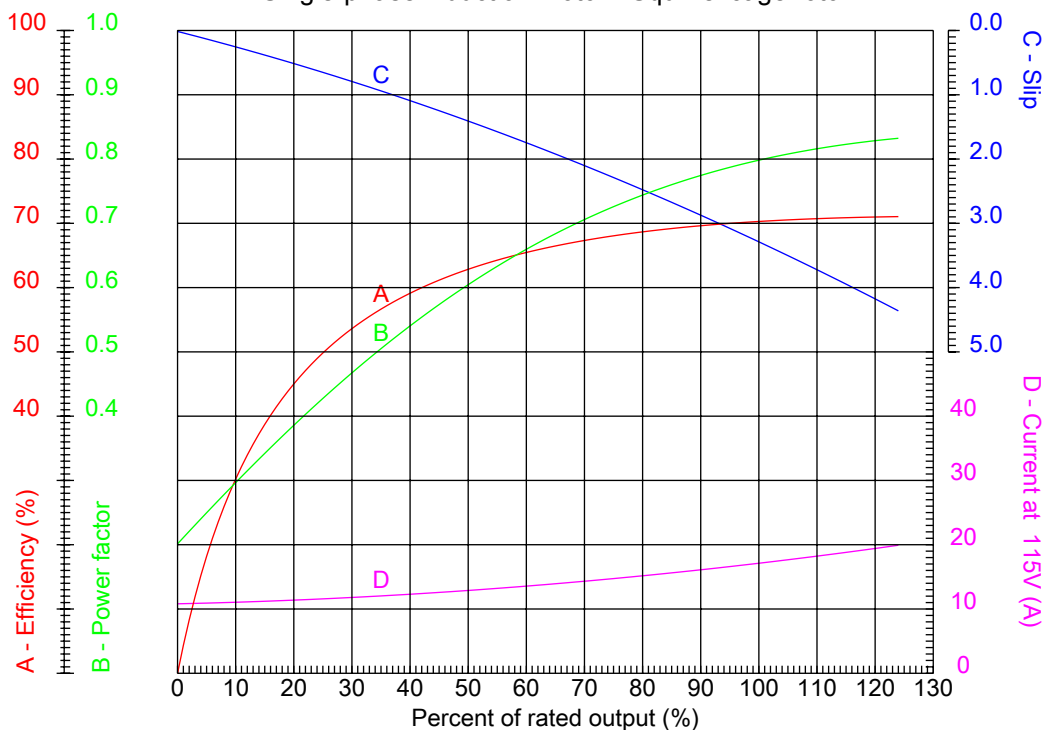
Dealers Industrial Equipment

No.:

Date: 12-SEP-2016

PERFORMANCE CURVES RELATED TO RATED OUTPUT

Single-phase induction motor - Squirrel cage rotor



Customer :
 Product line : Single-Phase : NEMA 56 TEFC - With Manual Overload Protection

Frame	: D56	Locked rotor current (I _L /I _n)	: 6.8
Output	: 1.5 HP	Duty cycle	: S1
Frequency	: 60 Hz	Service factor	: 1.15 (1.00 at 208V)
Full load speed	: 3480 rpm	Design	: ---
Voltage	: 115/208-230 V	Locked rotor torque	: 250 %
Rated current	: 17.1/8.80-8.55 A	Breakdown torque	: 250 %
Insulation class	: B		

Notes:
 Downloaded from <http://dealerselectric.com>
 Generated for Model #00156ES1BOLD56

Performed by

Checked

1 2 3 4 5 6 7 8

A

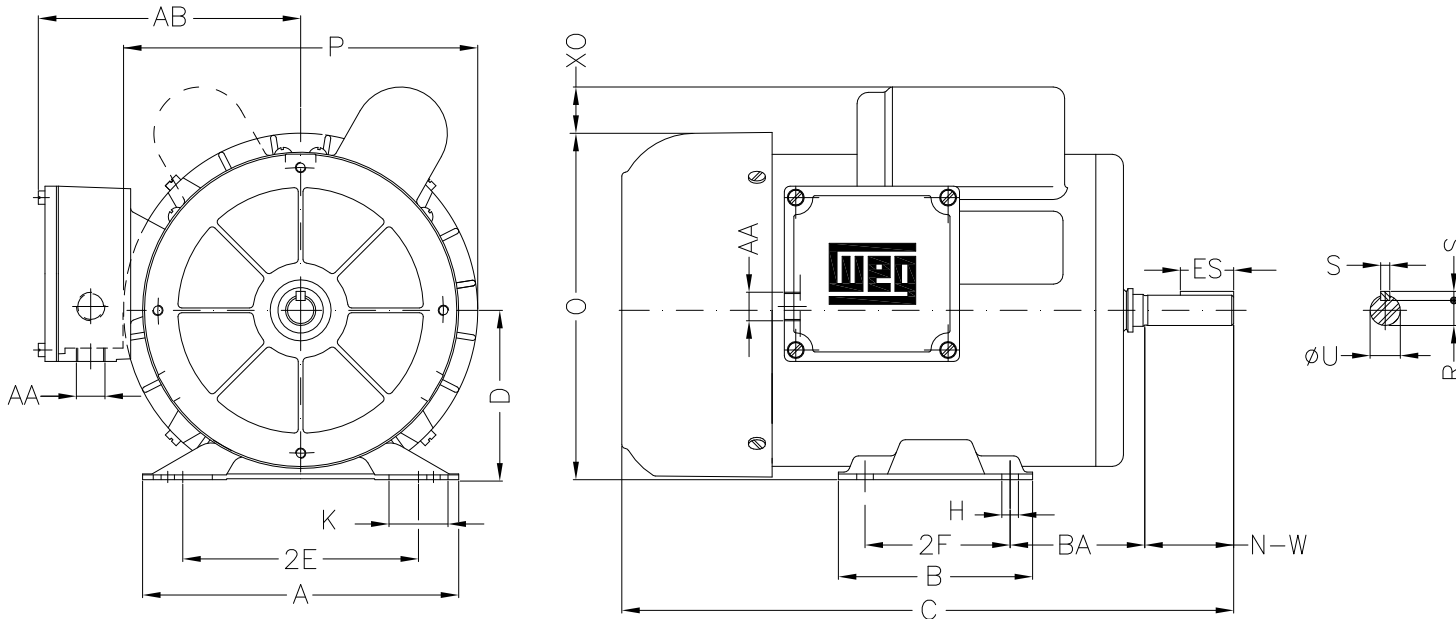
B

C

D

E

F



Notes: Downloaded from <http://dealerselectric.com>
Generated for Model #00156ES1BOLD56

Performed by:

Checked:

Customer:

Single-Phase : NEMA 56 TEFC - With Manual Overload Protection

Single-phase induction motor
Frame D56 - IP55

12-SEP-2016



2E 4.874	H 0.342	A 6.535	2F 3.000	B 4.016
BA 2.750	J 1.220	P 7.323	ES 1.102	S 0.187
depth 0.187	N-W 1.874	U 0.6250	R 0.517	d1 A 3,15
D 3.500	O 7.165	XO 1.063	C 12.283	AA 2xNPT 1/2"