



Dealers Industrial Equipment

No.:

Date: 12-SEP-2016

Customer :

TECHNICAL PROPOSAL

## Single-phase induction motor - Squirrel cage rotor

Product line : Jet Pump - NEMA 56 : Single-Phase - Threaded - TEFC (IP55)

Catalog Number : 00156ES1BJPR56J

List Price : \$438

Notes:

Downloaded from <http://dealerselectric.com>

Generated for Model #00156ES1BJPR56J

Performed by:

Checked:



Dealers Industrial Equipment

No.:

Date: 12-SEP-2016

## DATA SHEET

### Single-phase induction motor - Squirrel cage rotor

Customer :  
Product line : Jet Pump - NEMA 56 : Single-Phase - Threaded - TEFC (IP55)

Frame : D56  
Output : 1.5 HP  
Frequency : 60 Hz  
Poles : 2  
Full load speed : 3480 rpm  
Slip : 3.33 %  
Voltage : 115/208-230 V  
Rated current : 17.1/8.80-8.55 A  
Locked rotor current : 116/58.1 A  
Locked rotor current (I<sub>L</sub>/I<sub>n</sub>) : 6.8  
No-load current : 10.8/5.40 A  
Full load torque : 2.23 lb.ft  
Locked rotor torque : 250 %  
Breakdown torque : 250 %  
Design : ---  
Insulation class : B  
Temperature rise : 80 K  
Locked rotor time : 6 s (hot)  
Service factor : 1.15 (1.00 at 208V)  
Duty cycle : S1  
Ambient temperature : -20°C - +40°C  
Altitude : 1000 m  
Degree of Protection : IP55  
Approximate weight : 37 lb  
Moment of inertia : 0.05933 sq.ft.lb  
Noise level : ---

	D.E.	N.D.E.
Bearings	6204 2RS	6202 2RS
Regreasing interval	---	---
Grease amount	---	---

Load	Power factor	Efficiency (%)
100%	0.80	70.0
75%	0.72	69.0
50%	0.61	62.0

Notes:  
Downloaded from <http://dealerselectric.com>  
Generated for Model #00156ES1BJPR56J

Performed by

Checked



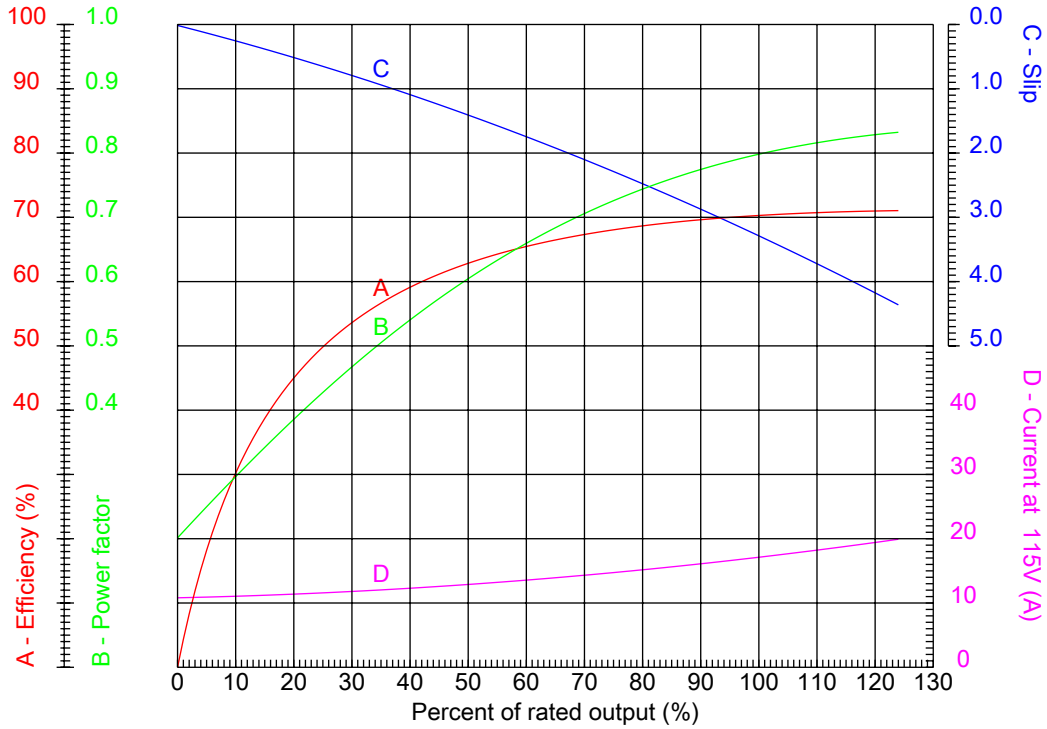
# Dealers Industrial Equipment

No.:

Date: 12-SEP-2016

## PERFORMANCE CURVES RELATED TO RATED OUTPUT

Single-phase induction motor - Squirrel cage rotor



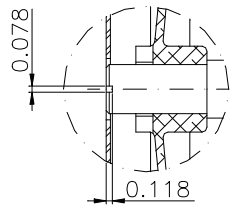
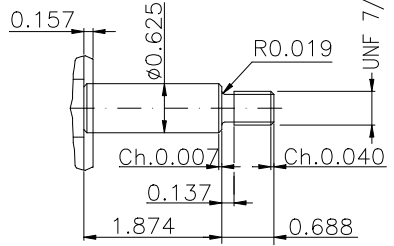
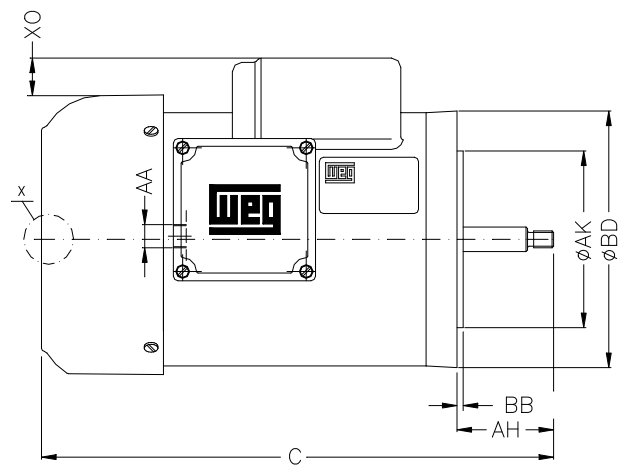
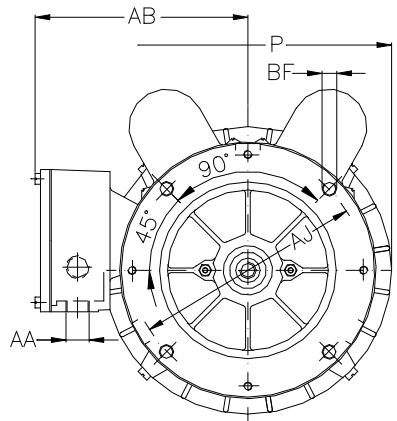
Customer :  
 Product line : Jet Pump - NEMA 56 : Single-Phase - Threaded - TEFC (IP55)

Frame : D56	Locked rotor current (I <sub>L</sub> /I <sub>n</sub> ) : 6.8
Output : 1.5 HP	Duty cycle : S1
Frequency : 60 Hz	Service factor : 1.15 (1.00 at 208V)
Full load speed : 3480 rpm	Design : ---
Voltage : 115/208-230 V	Locked rotor torque : 250 %
Rated current : 17.1/8.80-8.55 A	Breakdown torque : 250 %
Insulation class : B	

Notes:  
 Downloaded from <http://dealerselectric.com>  
 Generated for Model #00156ES1BJPR56J

Performed by

Checked



THREE-PHASE, FORM J, WITH INTERNAL  
 THREAD OF 1/4"x28 UNF AT SHAFT-END,  
 FOR CLAMPING THE PUMP ROTOR.

DETAIL X

Notes: Downloaded from <http://dealerselectric.com>  
 Generated for Model #00156ES1BJPR56J

Performed by:

Checked:

Customer:

Jet Pump - NEMA 56 : Single-Phase - Threaded - TEFC (IP55)

P 7.323	C 12.795	N-W 1.874	U 0.6250	AB 5.433
AA NPT 1/2"	d1 D UNF 1/4"-28	Flange FC-149	AJ 5.874	AK 4.500
BD 6.535	BF UNC 3/8"x16-2B	BB 0.157	AH 2.563	

Single-phase induction motor  
 Frame D56 - IP55

12-SEP-2016

