



Dealers Industrial Equipment

No.:

Date: 12-SEP-2016

Customer :

TECHNICAL PROPOSAL

Single-phase induction motor - Squirrel cage rotor

Product line : Jet Pump - NEMA 56 : Single-Phase - Keyed - TEFC (IP55)

Catalog Number : 00156ES1BJPR56C

List Price : \$432

Notes:

Downloaded from <http://dealerselectric.com>

Generated for Model #00156ES1BJPR56C

Performed by:

Checked:



Dealers Industrial Equipment

No.:

Date: 12-SEP-2016

DATA SHEET

Single-phase induction motor - Squirrel cage rotor

Customer :
Product line : Jet Pump - NEMA 56 : Single-Phase - Keyed - TEFC (IP55)

Frame : D56
Output : 1.5 HP
Frequency : 60 Hz
Poles : 2
Full load speed : 3480 rpm
Slip : 3.33 %
Voltage : 115/208-230 V
Rated current : 17.1/8.80-8.55 A
Locked rotor current : 116/58.1 A
Locked rotor current (I_L/I_n) : 6.8
No-load current : 10.8/5.40 A
Full load torque : 2.23 lb.ft
Locked rotor torque : 250 %
Breakdown torque : 250 %
Design : ---
Insulation class : B
Temperature rise : 80 K
Locked rotor time : 6 s (hot)
Service factor : 1.15 (1.00 at 208V)
Duty cycle : S1
Ambient temperature : -20°C - +40°C
Altitude : 1000 m
Degree of Protection : IP55
Approximate weight : 36 lb
Moment of inertia : 0.05933 sq.ft.lb
Noise level : ---

	D.E.	N.D.E.	Load	Power factor	Efficiency (%)
Bearings	6204 2RS	6202 2RS	100%	0.80	70.0
Regreasing interval	---	---	75%	0.72	69.0
Grease amount	---	---	50%	0.61	62.0

Notes:
Downloaded from <http://dealerselectric.com>
Generated for Model #00156ES1BJPR56C

Performed by

Checked



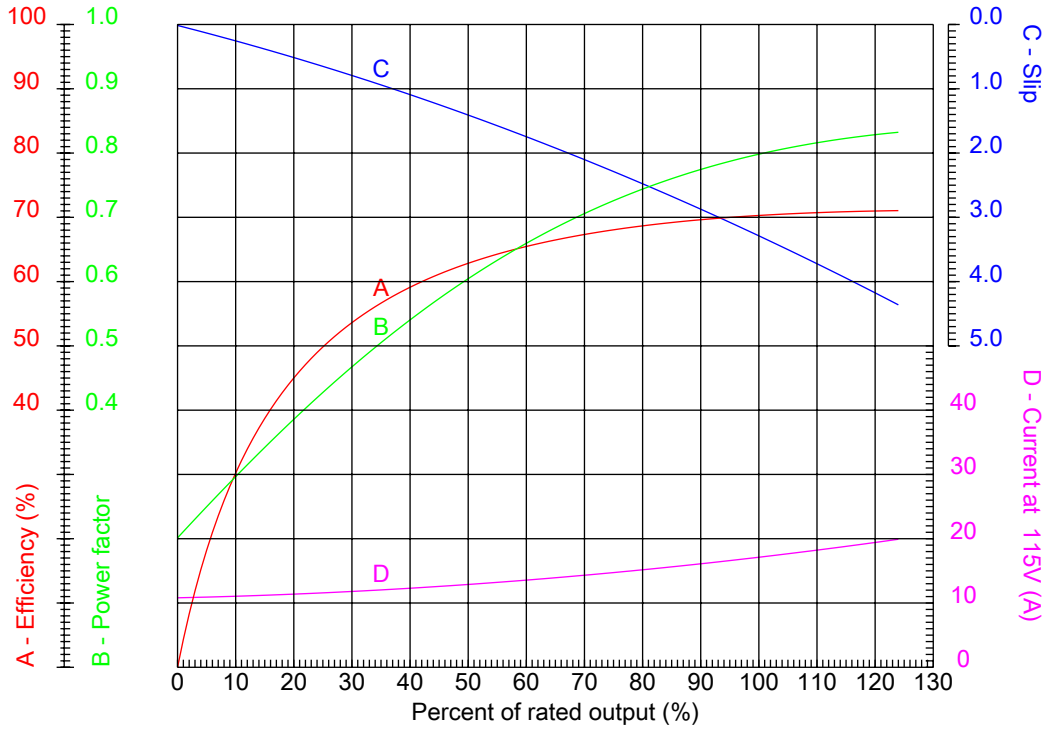
Dealers Industrial Equipment

No.:

Date: 12-SEP-2016

PERFORMANCE CURVES RELATED TO RATED OUTPUT

Single-phase induction motor - Squirrel cage rotor



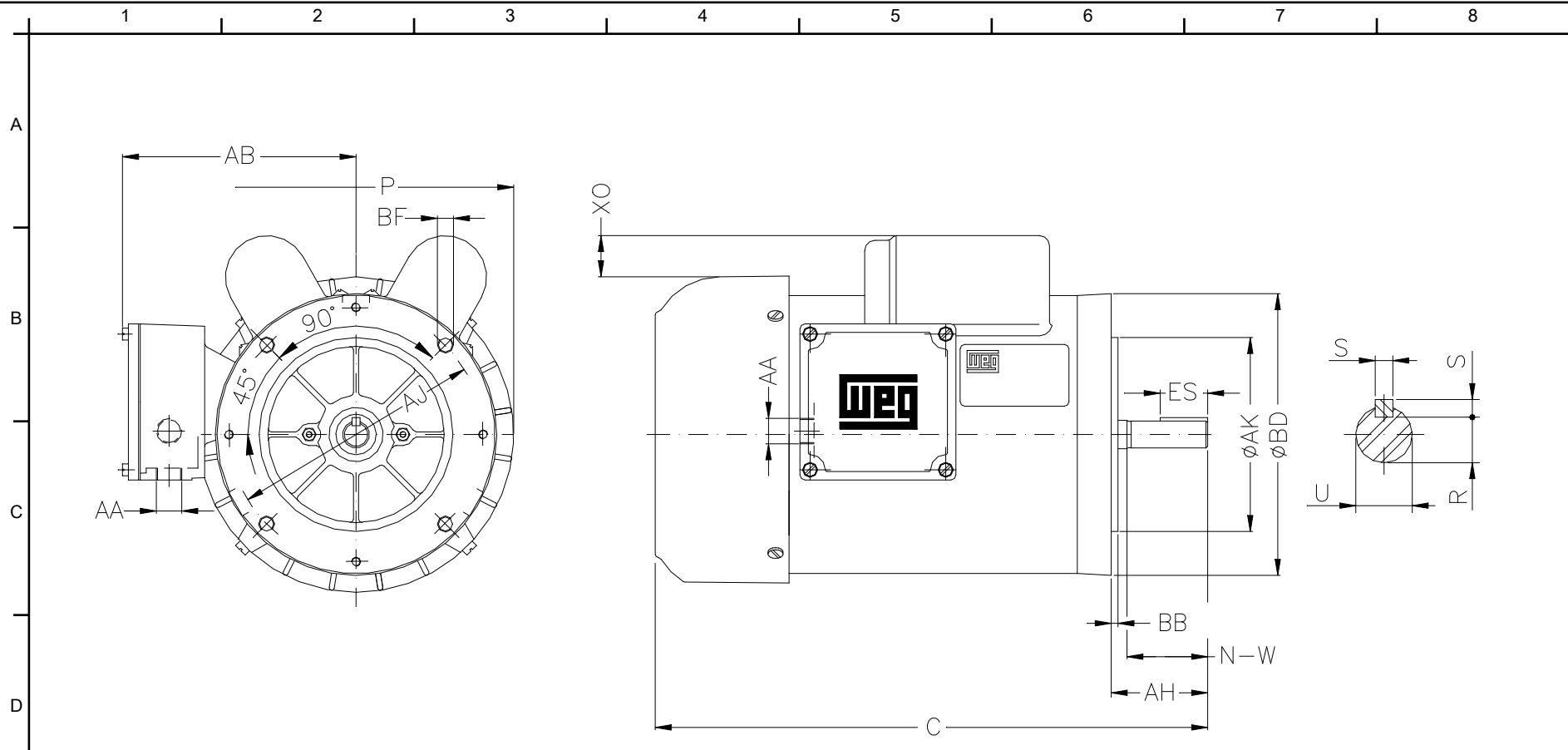
Customer :
 Product line : Jet Pump - NEMA 56 : Single-Phase - Keyed - TEFC (IP55)

Frame : D56	Locked rotor current (I _L /I _n) : 6.8
Output : 1.5 HP	Duty cycle : S1
Frequency : 60 Hz	Service factor : 1.15 (1.00 at 208V)
Full load speed : 3480 rpm	Design : ---
Voltage : 115/208-230 V	Locked rotor torque : 250 %
Rated current : 17.1/8.80-8.55 A	Breakdown torque : 250 %
Insulation class : B	

Notes:
 Downloaded from <http://dealerselectric.com>
 Generated for Model #00156ES1BJPR56C

Performed by

Checked



Notes: Downloaded from <http://dealerselectric.com>
 Generated for Model #00156ES1BJPR56C

Performed by:

Checked:

Customer:

Jet Pump - NEMA 56 : Single-Phase - Keyed - TEFC (IP55)

P	C	ES	N-W	U
7.323	12.283	1.417	1.874	0.625
S	R	AB	AA	d1
0.187	0.517	5.433	NPT 1/2"	D UNF 1/4"-28
Flange FC-149	AJ	AK	BD	BF
	5.874	4.500	6.535	UNC 3/8"x16-2B
BB	AH			
0.157	2.063			

Single-phase induction motor
 Frame D56 - IP55

12-SEP-2016

