



Dealers Industrial Equipment

No.:

Date: 12-SEP-2016

Customer :

TECHNICAL PROPOSAL

Three-phase induction motor - Squirrel cage rotor

Product line : Three-Phase: W22 IEEE-841™ Petrochem Motors - NEMA Premium® Efficiency

Catalog Number : 00152ST3QIE182TC-W22

List Price : \$1,351

Notes:

Downloaded from <http://dealerselectric.com>

Generated for Model #00152ST3QIE182TC-W22

Performed by:

Checked:



Dealers Industrial Equipment

No.:

Date: 12-SEP-2016

DATA SHEET Three-phase induction motor - Squirrel cage rotor

Customer :
 Product line : Three-Phase: W22 IEEE-841™ Petrochem Motors - NEMA Premium® Efficiency

Frame : 182/4T
 Output : 1.5 HP
 Frequency : 60 Hz
 Poles : 6
 Full load speed : 1170 rpm
 Slip : 2.50 %
 Voltage : 460 V
 Rated current : 2.54 A
 Locked rotor current : 19.8 A
 Locked rotor current (I_L/I_n) : 7.8
 No-load current : 1.63 A
 Full load torque : 6.64 lb.ft
 Locked rotor torque : 320 %
 Breakdown torque : 400 %
 Design : B
 Insulation class : F
 Temperature rise : 80 K
 Locked rotor time : 16 s (hot)
 Service factor : 1.25
 Duty cycle : S1
 Ambient temperature : -20°C - +40°C
 Altitude : 1000 m
 Degree of Protection : IP55
 Approximate weight : 70 lb
 Moment of inertia : 0.48789 sq.ft.lb
 Noise level : 52 dB(A)

	D.E.	N.D.E.
Bearings	6207 C3	6206 C3
Regreasing interval	20000 h	20000 h
Grease amount	7 g	5 g

Load	Power factor	Efficiency (%)
100%	0.62	87.5
75%	0.54	86.5
50%	0.45	84.0

Notes:
 Downloaded from <http://dealerselectric.com>
 Generated for Model #00152ST3QIE182TC-W22

Performed by

Checked



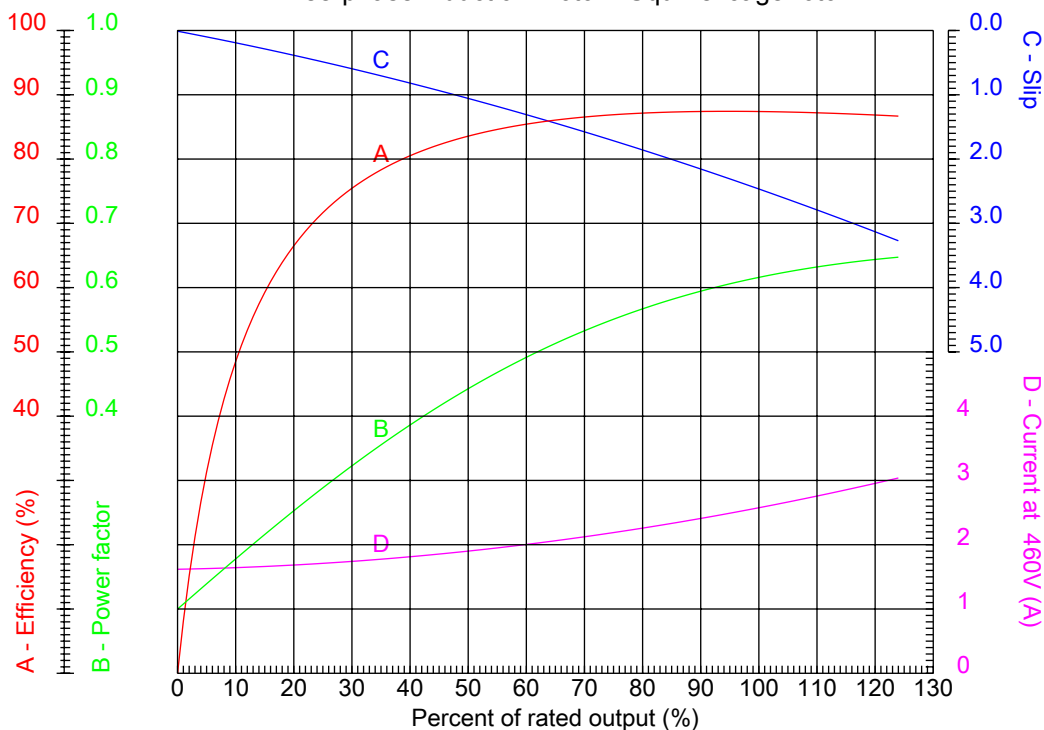
Dealers Industrial Equipment

No.:

Date: 12-SEP-2016

PERFORMANCE CURVES RELATED TO RATED OUTPUT

Three-phase induction motor - Squirrel cage rotor



Customer :
 Product line : Three-Phase: W22 IEEE-841™ Petrochem Motors - NEMA Premium® Efficiency

Frame	: 182/4T	Locked rotor current (I _L /I _n)	: 7.8
Output	: 1.5 HP	Duty cycle	: S1
Frequency	: 60 Hz	Service factor	: 1.25
Full load speed	: 1170 rpm	Design	: B
Voltage	: 460 V	Locked rotor torque	: 320 %
Rated current	: 2.54 A	Breakdown torque	: 400 %
Insulation class	: F		

Notes:
 Downloaded from <http://dealerselectric.com>
 Generated for Model #00152ST3QIE182TC-W22

Performed by

Checked



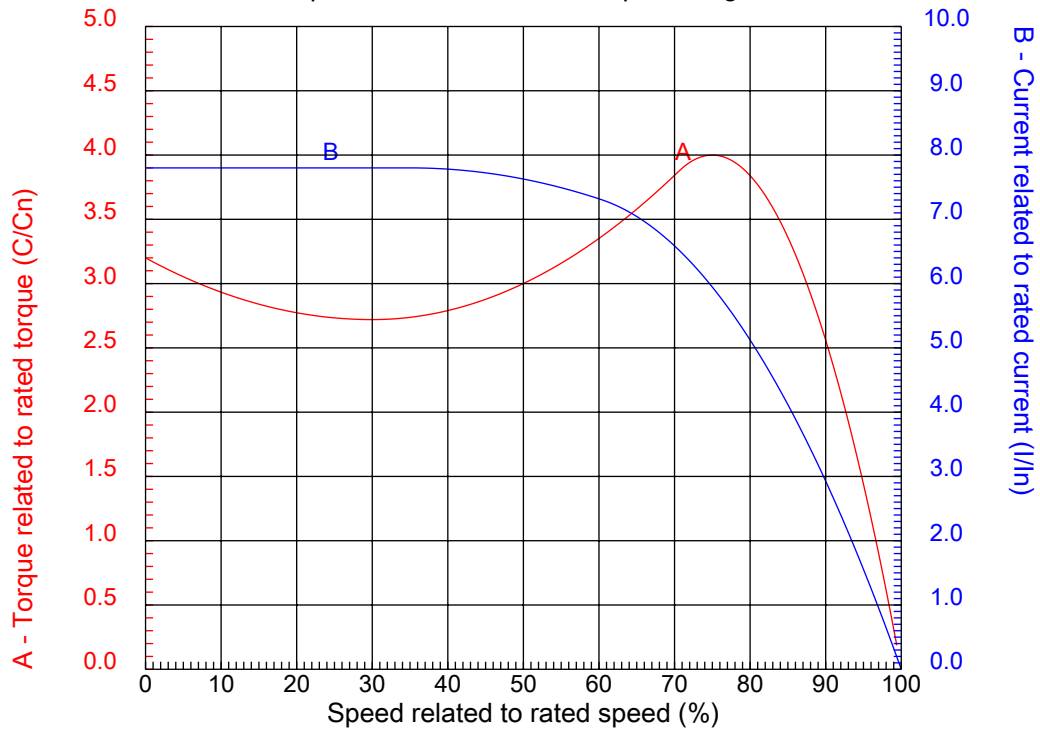
Dealers Industrial Equipment

No.:

Date: 12-SEP-2016

CHARACTERISTIC CURVES RELATED TO SPEED

Three-phase induction motor - Squirrel cage rotor



Customer :
Product line : Three-Phase: W22 IEEE-841™ Petrochem Motors - NEMA Premium® Efficiency

Frame	: 182/4T	Locked rotor current (I _l /I _n)	: 7.8
Output	: 1.5 HP	Duty cycle	: S1
Frequency	: 60 Hz	Service factor	: 1.25
Full load speed	: 1170 rpm	Design	: B
Voltage	: 460 V	Locked rotor torque	: 320 %
Rated current	: 2.54 A	Breakdown torque	: 400 %
Insulation class	: F		

Notes:
Downloaded from <http://dealerselectric.com>
Generated for Model #00152ST3QIE182TC-W22

Performed by

Checked

1 2 3 4 5 6 7 8

A

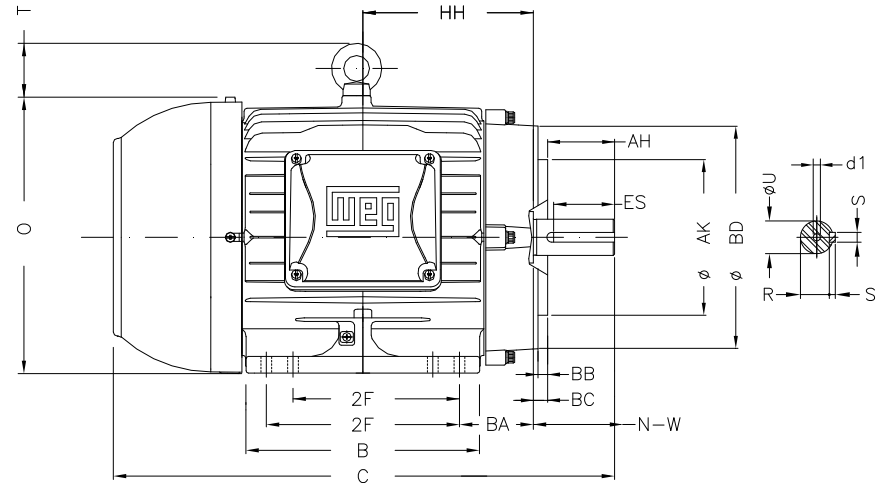
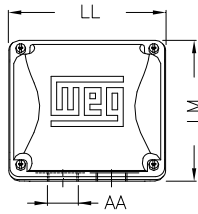
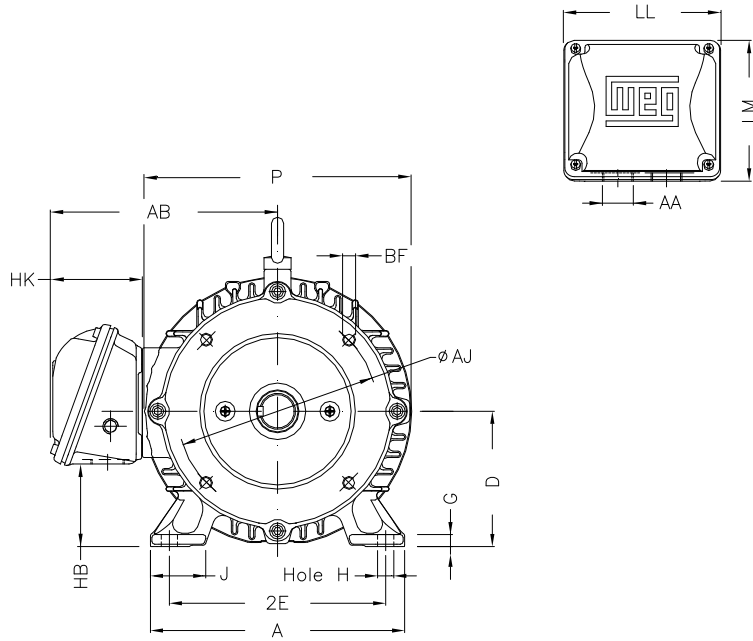
B

C

D

E

F



Notes: Downloaded from <http://dealerselectric.com>
Generated for Model #00152ST3QIE182TC-W22

Performed by:

Checked:

Customer:

Three-Phase: W22 IEEE-841™ Petrochem Motors - NEMA Premium® Efficiency

Three-phase induction motor
Frame 182/4T - IP55

12-SEP-2016



2E	J	A	P	AB
7.500	1.614	8.661	8.740	7.565
2F	B	BA	U	N-W
4.500/5.500	6.969	2.750	1.125	2.750
ES	S	R	depth	D
1.969	0.250	0.984	0.250	4.500
G	HB	O	T	HF
0.374	2.236	9.400	1.715	4.500
HH	HK	H	C	LL
5.500	3.150	0.406	15.860	5.512
LM	AA	d1	d2	Flange
5.236	NPT 1"	A 4	A 4	FC-184
AJ	AK	BD	BF	BB
7.250	8.500	8.875	UNC 1/2"x13	0.250
BC	AH			
0.125	2.625			

1 2 3 4 5 6 7 8

A

B

C

D

E

F



Notes: Downloaded from http://dealerselectric.com Generated for Model #00152ST3QIE182TC-W22		
Performed by:		
Checked:		
Customer:		
Three-Phase: W22 IEEE-841™ Petrochem Motors - NEMA Premium® Efficiency		
Three-phase induction motor Frame 182/4T - IP55	12-SEP-2016	