



# Dealers Industrial Equipment

No.:

Date: 12-SEP-2016

Customer :

## TECHNICAL PROPOSAL

### Three-phase induction motor - Squirrel cage rotor

Product line : Three-Phase: W22 IEEE-841™ Petrochem Motors - NEMA Premium® Efficiency

Catalog Number : 00152ST3HIE182T-W22

List Price : \$1,286

#### Notes:

Downloaded from <http://dealerselectric.com>

Generated for Model #00152ST3HIE182T-W22

Performed by:

Checked:



# Dealers Industrial Equipment

No.:

Date: 12-SEP-2016

## DATA SHEET Three-phase induction motor - Squirrel cage rotor

Customer :  
 Product line : Three-Phase: W22 IEEE-841™ Petrochem Motors - NEMA Premium® Efficiency

Frame : 182/4T  
 Output : 1.5 HP  
 Frequency : 60 Hz  
 Poles : 6  
 Full load speed : 1170 rpm  
 Slip : 2.50 %  
 Voltage : 575 V  
 Rated current : 2.03 A  
 Locked rotor current : 15.8 A  
 Locked rotor current (I<sub>L</sub>/I<sub>n</sub>) : 7.8  
 No-load current : 1.30 A  
 Full load torque : 6.64 lb.ft  
 Locked rotor torque : 320 %  
 Breakdown torque : 400 %  
 Design : B  
 Insulation class : F  
 Temperature rise : 80 K  
 Locked rotor time : 16 s (hot)  
 Service factor : 1.25  
 Duty cycle : S1  
 Ambient temperature : -20°C - +40°C  
 Altitude : 1000 m  
 Degree of Protection : IP55  
 Approximate weight : 70 lb  
 Moment of inertia : 0.48789 sq.ft.lb  
 Noise level : 52 dB(A)

	D.E.	N.D.E.
Bearings	6207 C3	6206 C3
Regreasing interval	20000 h	20000 h
Grease amount	7 g	5 g

Load	Power factor	Efficiency (%)
100%	0.62	87.5
75%	0.54	86.5
50%	0.45	84.0

Notes:  
 Downloaded from <http://dealerselectric.com>  
 Generated for Model #00152ST3HIE182T-W22

Performed by

Checked



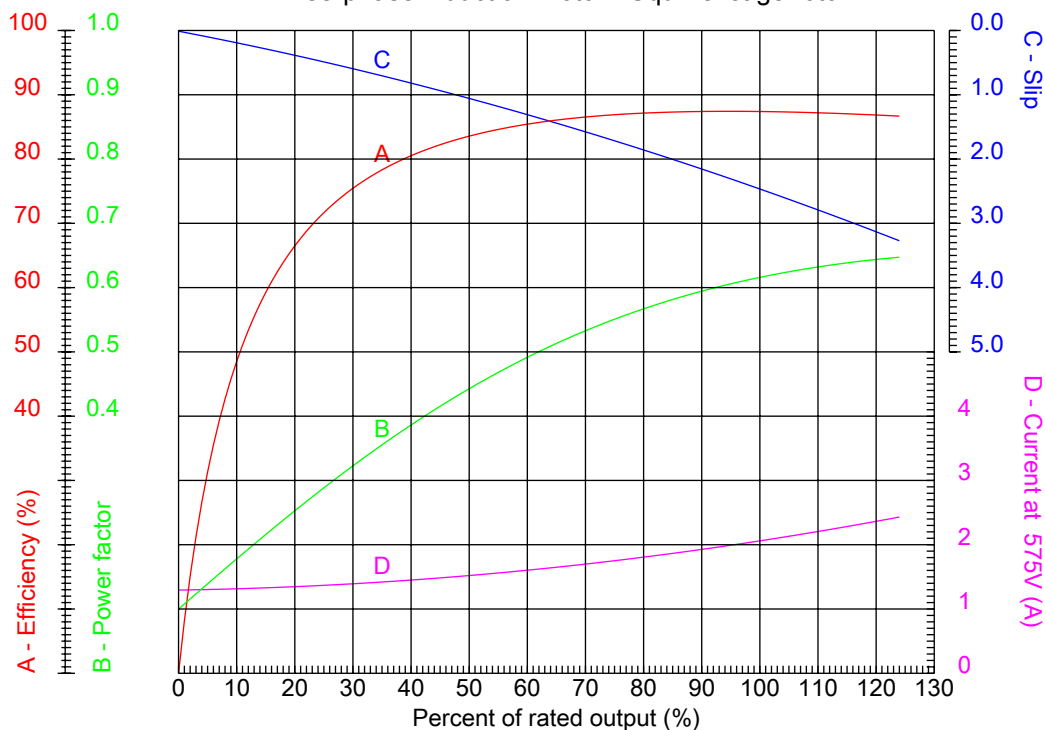
# Dealers Industrial Equipment

No.:

Date: 12-SEP-2016

## PERFORMANCE CURVES RELATED TO RATED OUTPUT

Three-phase induction motor - Squirrel cage rotor



Customer :  
Product line : Three-Phase: W22 IEEE-841™ Petrochem Motors - NEMA Premium® Efficiency

Frame : 182/4T	Locked rotor current (I <sub>L</sub> /I <sub>n</sub> ) : 7.8
Output : 1.5 HP	Duty cycle : S1
Frequency : 60 Hz	Service factor : 1.25
Full load speed : 1170 rpm	Design : B
Voltage : 575 V	Locked rotor torque : 320 %
Rated current : 2.03 A	Breakdown torque : 400 %
Insulation class : F	

Notes:  
Downloaded from <http://dealerselectric.com>  
Generated for Model #00152ST3HIE182T-W22

Performed by

Checked



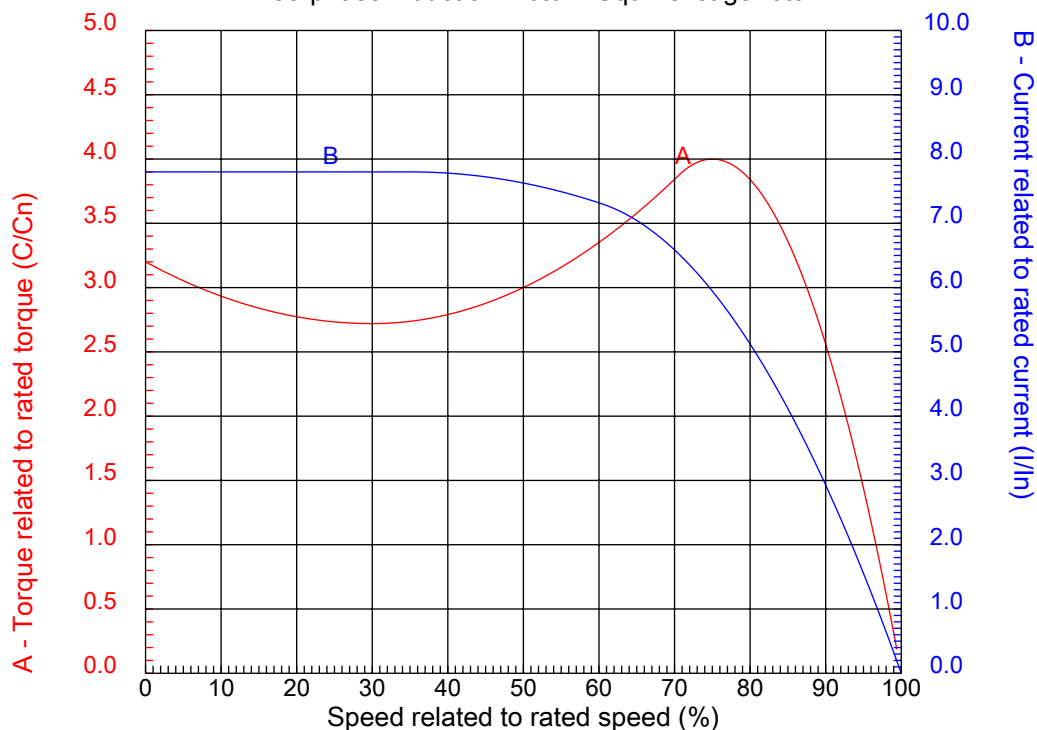
# Dealers Industrial Equipment

No.:

Date: 12-SEP-2016

## CHARACTERISTIC CURVES RELATED TO SPEED

Three-phase induction motor - Squirrel cage rotor



Customer :  
Product line : Three-Phase: W22 IEEE-841™ Petrochem Motors - NEMA Premium® Efficiency

Frame	: 182/4T	Locked rotor current (I <sub>l</sub> /I <sub>n</sub> )	: 7.8
Output	: 1.5 HP	Duty cycle	: S1
Frequency	: 60 Hz	Service factor	: 1.25
Full load speed	: 1170 rpm	Design	: B
Voltage	: 575 V	Locked rotor torque	: 320 %
Rated current	: 2.03 A	Breakdown torque	: 400 %
Insulation class	: F		

Notes:  
Downloaded from <http://dealerselectric.com>  
Generated for Model #00152ST3HIE182T-W22

Performed by

Checked

1 2 3 4 5 6 7 8

A

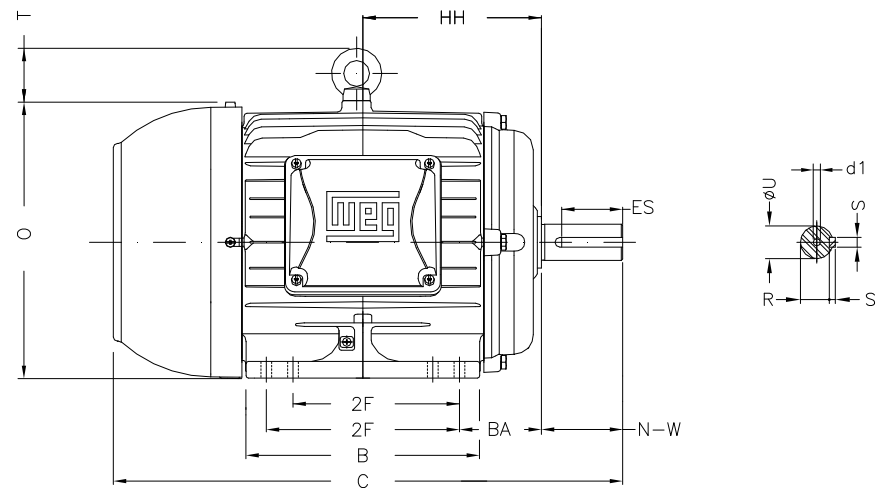
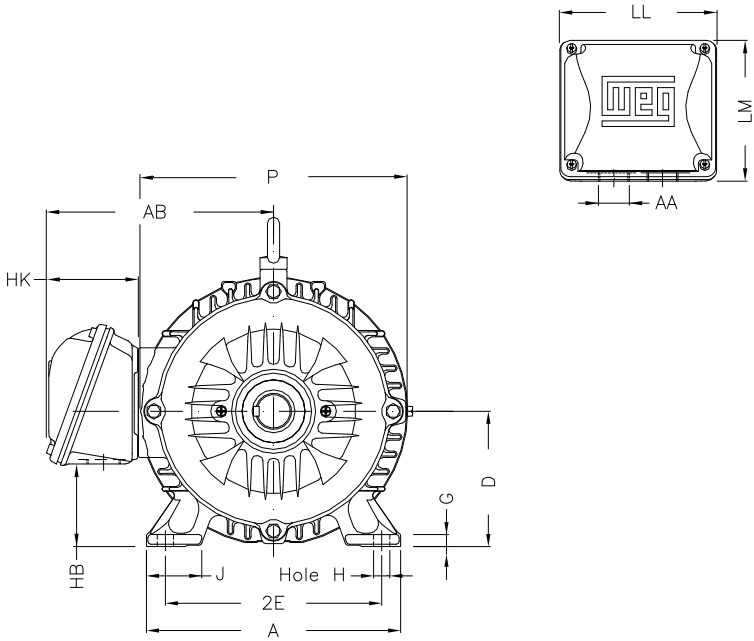
B

C

D

E

F



Notes: Downloaded from <http://dealerselectric.com>  
Generated for Model #00152ST3HIE182T-W22

Performed by:

Checked:

Customer:

Three-Phase: W22 IEEE-841™ Petrochem Motors - NEMA Premium® Efficiency

Three-phase induction motor  
Frame 182/4T - IP55

12-SEP-2016



2E 7.500	J 1.614	A 8.661	P 8.740	AB 7.565
2F 4.500/5.500	B 6.969	BA 2.750	U 1.125	N-W 2.750
ES 1.969	S 0.250	R 0.984	depth 0.250	D 4.500
G 0.374	HB 2.236	O 9.400	T 1.715	HF 4.500
HH 5.500	HK 3.150	H 0.406	C 15.860	LL 5.512
LM 5.236	AA NPT 1"	d1 A 4	d2 A 4	

1 2 3 4 5 6 7 8

A

B

C

D

E

F



Notes: Downloaded from <a href="http://dealerselectric.com">http://dealerselectric.com</a> Generated for Model #00152ST3HIE182T-W22		
Performed by:		
Checked:		
Customer:		
Three-Phase: W22 IEEE-841™ Petrochem Motors - NEMA Premium® Efficiency		
Three-phase induction motor Frame 182/4T - IP55	12-SEP-2016	