



Dealers Industrial Equipment

No.:

Date: 12-SEP-2016

Customer :

TECHNICAL PROPOSAL

Three-phase induction motor - Squirrel cage rotor

Product line : Three Phase: W01 (Rolled Steel) - ODP - NEMA Premium Efficiency

Catalog Number : 00152OT3E182T-S

List Price : \$588

Notes:

Downloaded from <http://dealerselectric.com>

Generated for Model #00152OT3E182T-S

Performed by:

Checked:



Dealers Industrial Equipment

No.:

Date: 12-SEP-2016

### DATA SHEET Three-phase induction motor - Squirrel cage rotor

Customer :  
Product line : Three Phase: W01 (Rolled Steel) - ODP - NEMA Premium Efficiency

Frame : 182/4T  
Output : 1.5 HP  
Frequency : 60 Hz  
Poles : 6  
Full load speed : 1165 rpm  
Slip : 2.92 %  
Voltage : 208-230/460 V  
Rated current : 4.98-4.50/2.25 A  
Locked rotor current : 29.3/14.6 A  
Locked rotor current (I<sub>L</sub>/I<sub>n</sub>) : 6.5  
No-load current : 2.74/1.37 A  
Full load torque : 6.67 lb.ft  
Locked rotor torque : 200 %  
Breakdown torque : 310 %  
Design : B  
Insulation class : F  
Temperature rise : 80 K  
Locked rotor time : 46 s (hot)  
Service factor : 1.15  
Duty cycle : S1  
Ambient temperature : -20°C - +40°C  
Altitude : 1000 m  
Degree of Protection : ODP  
Approximate weight : 56 lb  
Moment of inertia : 0.21784 sq.ft.lb  
Noise level : 52 dB(A)

	D.E.	N.D.E.
Bearings	6206 ZZ	6205 ZZ
Regreasing interval	---	---
Grease amount	---	---

Load	Power factor	Efficiency (%)
100%	0.71	86.5
75%	0.63	85.5
50%	0.51	84.0

Notes:  
Downloaded from <http://dealerselectric.com>  
Generated for Model #00152OT3E182T-S

Performed by

Checked



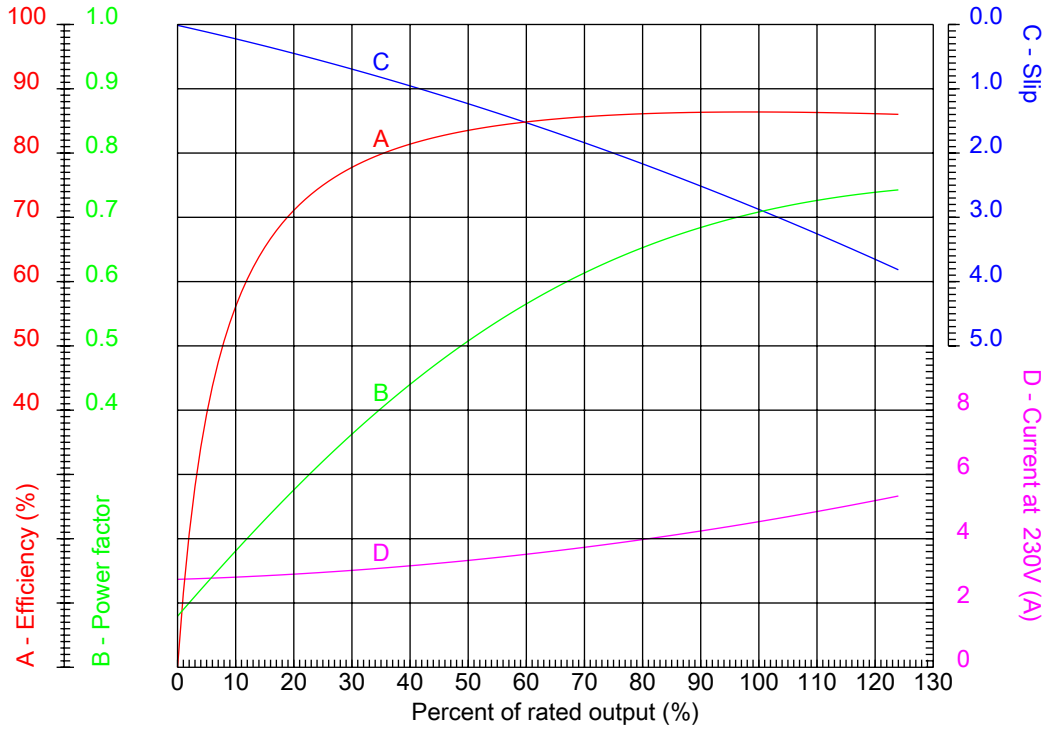
# Dealers Industrial Equipment

No.:

Date: 12-SEP-2016

## PERFORMANCE CURVES RELATED TO RATED OUTPUT

Three-phase induction motor - Squirrel cage rotor



Customer :  
 Product line : Three Phase: W01 (Rolled Steel) - ODP - NEMA Premium Efficiency

Frame	: 182/4T	Locked rotor current (I <sub>l</sub> /I <sub>n</sub> )	: 6.5
Output	: 1.5 HP	Duty cycle	: S1
Frequency	: 60 Hz	Service factor	: 1.15
Full load speed	: 1165 rpm	Design	: B
Voltage	: 208-230/460 V	Locked rotor torque	: 200 %
Rated current	: 4.98-4.50/2.25 A	Breakdown torque	: 310 %
Insulation class	: F		

Notes:  
 Downloaded from <http://dealerselectric.com>  
 Generated for Model #00152OT3E182T-S

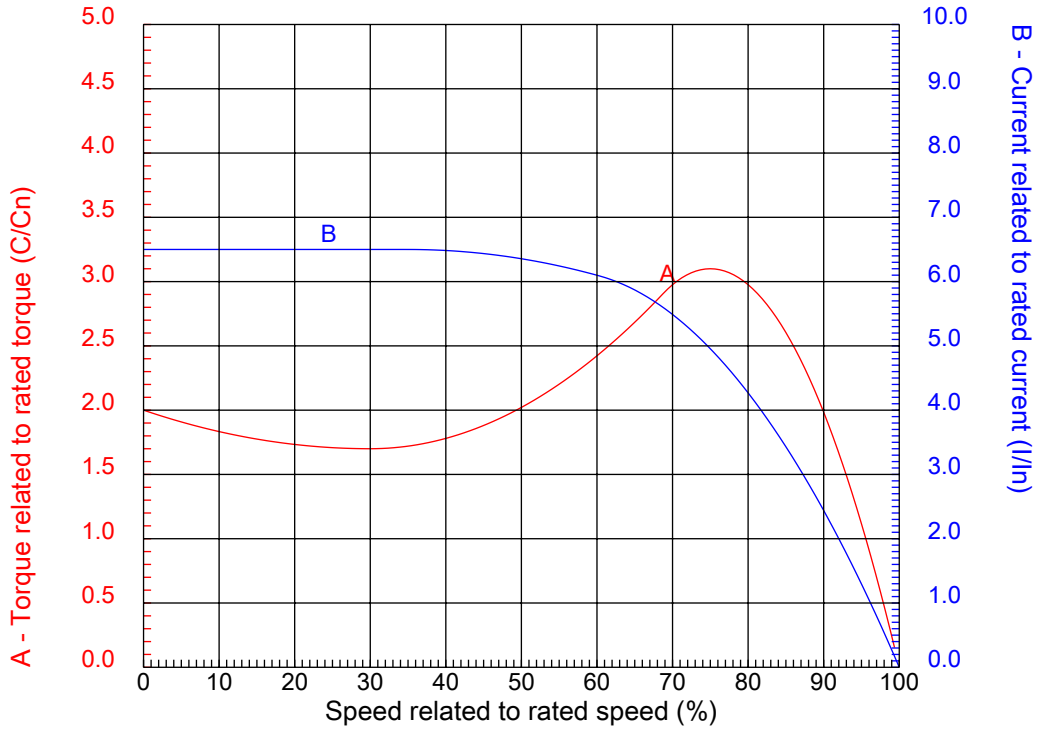
Performed by

Checked



## CHARACTERISTIC CURVES RELATED TO SPEED

Three-phase induction motor - Squirrel cage rotor



Customer	:	
Product line	:	Three Phase: W01 (Rolled Steel) - ODP - NEMA Premium Efficiency

Frame	:	182/4T	Locked rotor current (I <sub>l</sub> /I <sub>h</sub> )	:	6.5
Output	:	1.5 HP	Duty cycle	:	S1
Frequency	:	60 Hz	Service factor	:	1.15
Full load speed	:	1165 rpm	Design	:	B
Voltage	:	208-230/460 V	Locked rotor torque	:	200 %
Rated current	:	4.98-4.50/2.25 A	Breakdown torque	:	310 %
Insulation class	:	F			

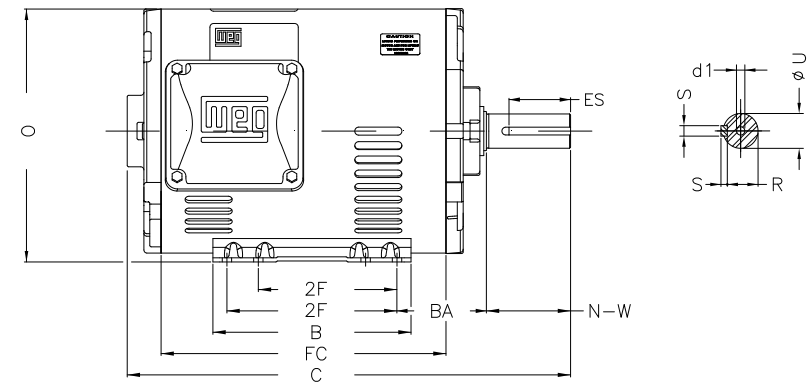
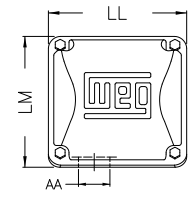
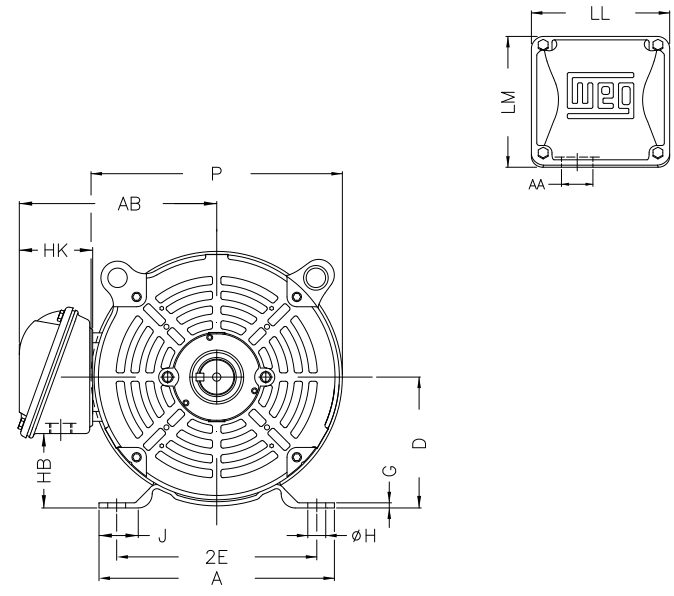
Notes:  
 Downloaded from <http://dealerselectric.com>  
 Generated for Model #00152OT3E182T-S

Performed by

Checked

1 2 3 4 5 6 7 8

A  
B  
C  
D  
E  
F



Notes: Downloaded from <http://dealerselectric.com>  
Generated for Model #001520T3E182T-S

Performed by:

Checked:

Customer:

Three Phase: W01 (Rolled Steel) - ODP - NEMA Premium Efficiency

Three-phase induction motor  
Frame 182/4T - ODP

12-SEP-2016



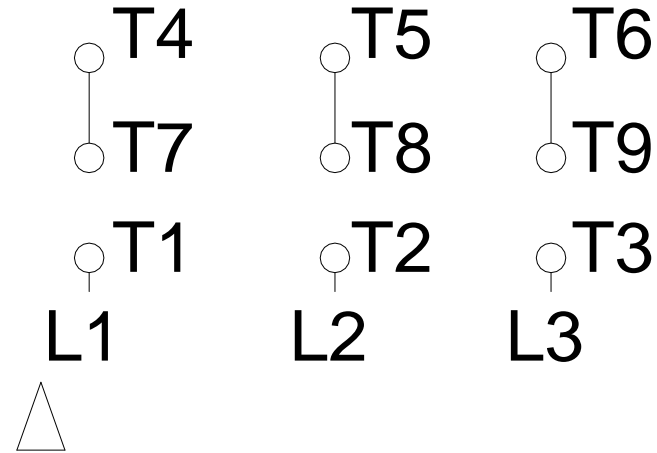
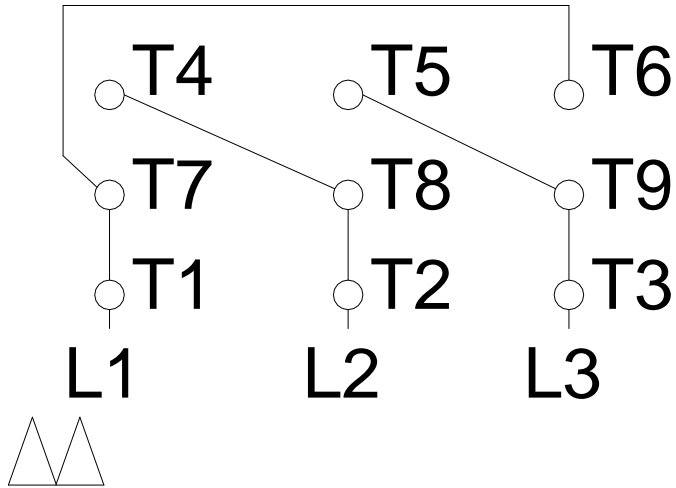
P	AB	J	2E	A
8.114	6.696	1.299	7.500	8.661
H	G	HB	HK	O
0.406	0.167	2.784	2.629	8.557
FC	2F	B	C	BA
7.874	4.500/5.500	6.299	13.976	2.750
N-W	ES	d1	S	U
2.750	1.969	A 3,15	0.250	1.125
AA	depth	R	LL	LM
1.118"	0.250	0.984	4.563	4.090
BB	D	CH		
0.000	4.500	1.377		

1 2 3 4 5 6 7 8

# LOW VOLTAGE

# HIGH VOLTAGE

A  
B  
C  
D  
E  
F



Notes: Downloaded from <http://dealerselectric.com>  
 Generated for Model #001520T3E182T-S

Performed by:

Checked:

Customer:

Three Phase: W01 (Rolled Steel) - ODP - NEMA Premium Efficiency

Three-phase induction motor  
 Frame 182/4T - IP21

12-SEP-2016

