



Dealers Industrial Equipment

No.:

Date: 12-SEP-2016

Customer :

TECHNICAL PROPOSAL

Three-phase induction motor - Squirrel cage rotor

Product line : Close Coupled Pump: Three-Phase - W01 (Rolled Steel) "JP" Type - ODP -
NEMA Premium Efficiency
Catalog Number : 00152OT3E182JP-S
List Price : \$729

Notes:

Downloaded from <http://dealerselectric.com>
Generated for Model #00152OT3E182JP-S

Performed by:

Checked:



Dealers Industrial Equipment

No.:

Date: 12-SEP-2016

DATA SHEET Three-phase induction motor - Squirrel cage rotor

Customer :
 Product line : Close Coupled Pump: Three-Phase - W01 (Rolled Steel) "JP" Type - ODP - NEMA Premium Efficiency

Frame : 182/4JP
 Output : 1.5 HP
 Frequency : 60 Hz
 Poles : 6
 Full load speed : 1165 rpm
 Slip : 2.92 %
 Voltage : 208-230/460 V
 Rated current : 4.98-4.50/2.25 A
 Locked rotor current : 29.3/14.6 A
 Locked rotor current (I_L/I_n) : 6.5
 No-load current : 2.74/1.37 A
 Full load torque : 6.67 lb.ft
 Locked rotor torque : 200 %
 Breakdown torque : 310 %
 Design : B
 Insulation class : F
 Temperature rise : 80 K
 Locked rotor time : 46 s (hot)
 Service factor : 1.15
 Duty cycle : S1
 Ambient temperature : -20°C - +40°C
 Altitude : 1000 m
 Degree of Protection : ODP
 Approximate weight : 56 lb
 Moment of inertia : 0.21784 sq.ft.lb
 Noise level : 52 dB(A)

| | D.E. | N.D.E. |
|---------------------|---------|---------|
| Bearings | 6207 ZZ | 6205 ZZ |
| Regreasing interval | --- | --- |
| Grease amount | --- | --- |

| Load | Power factor | Efficiency (%) |
|------|--------------|----------------|
| 100% | 0.71 | 86.5 |
| 75% | 0.63 | 85.5 |
| 50% | 0.51 | 84.0 |

Notes:
 Downloaded from <http://dealerselectric.com>
 Generated for Model #00152OT3E182JP-S

Performed by

Checked



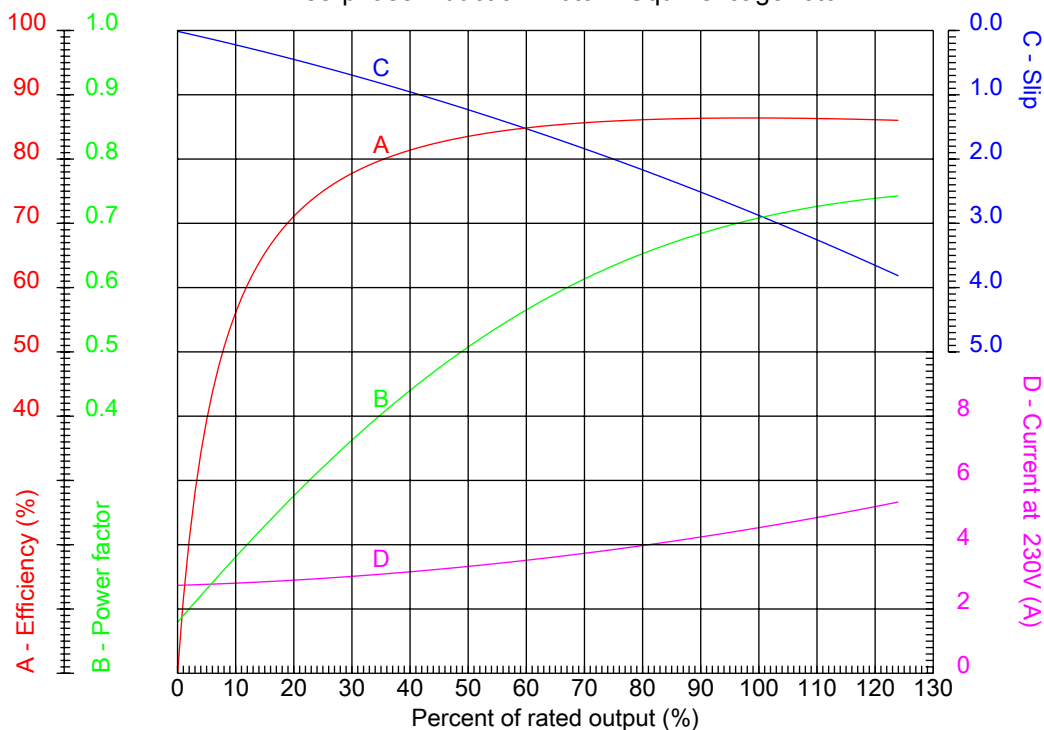
Dealers Industrial Equipment

No.:

Date: 12-SEP-2016

PERFORMANCE CURVES RELATED TO RATED OUTPUT

Three-phase induction motor - Squirrel cage rotor



Customer :
 Product line : Close Coupled Pump: Three-Phase - W01 (Rolled Steel) "JP" Type - ODP - NEMA Premium Efficiency

| | | | |
|------------------|--------------------|--|---------|
| Frame | : 182/4JP | Locked rotor current (I _l /I _n) | : 6.5 |
| Output | : 1.5 HP | Duty cycle | : S1 |
| Frequency | : 60 Hz | Service factor | : 1.15 |
| Full load speed | : 1165 rpm | Design | : B |
| Voltage | : 208-230/460 V | Locked rotor torque | : 200 % |
| Rated current | : 4.98-4.50/2.25 A | Breakdown torque | : 310 % |
| Insulation class | : F | | |

Notes:
 Downloaded from <http://dealerselectric.com>
 Generated for Model #00152OT3E182JP-S

Performed by

Checked



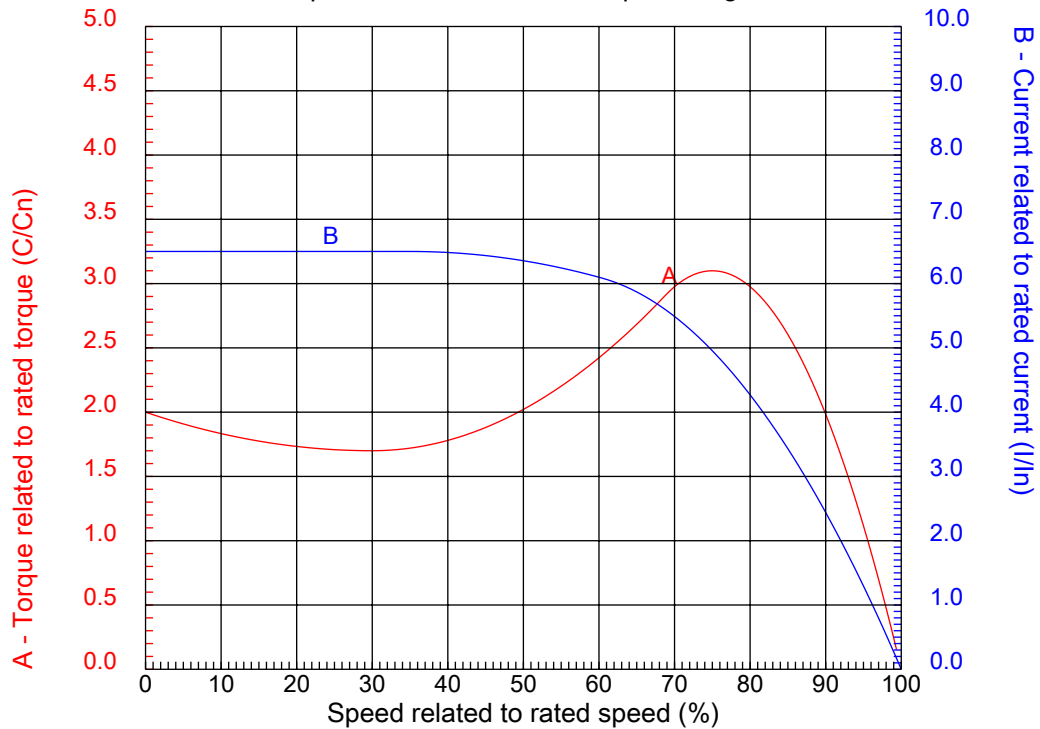
Dealers Industrial Equipment

No.:

Date: 12-SEP-2016

CHARACTERISTIC CURVES RELATED TO SPEED

Three-phase induction motor - Squirrel cage rotor



Customer :
Product line : Close Coupled Pump: Three-Phase - W01 (Rolled Steel) "JP" Type - ODP - NEMA Premium Efficiency

| | | | |
|------------------|--------------------|--|---------|
| Frame | : 182/4JP | Locked rotor current (I _l /I _n) | : 6.5 |
| Output | : 1.5 HP | Duty cycle | : S1 |
| Frequency | : 60 Hz | Service factor | : 1.15 |
| Full load speed | : 1165 rpm | Design | : B |
| Voltage | : 208-230/460 V | Locked rotor torque | : 200 % |
| Rated current | : 4.98-4.50/2.25 A | Breakdown torque | : 310 % |
| Insulation class | : F | | |

Notes:
Downloaded from <http://dealerselectric.com>
Generated for Model #00152OT3E182JP-S

Performed by

Checked

1 2 3 4 5 6 7 8

A

B

C

D

E

F



Notes: Downloaded from <http://dealerselectric.com>
Generated for Model #00152OT3E182JP-S

| | | | | |
|-------------------|------------------|--------------|-------------|-------------|
| 2E 7.500 | J 1.299 | A 8.661 | P 8.114 | AB 6.696 |
| 2F 4.500/5.500 | B 6.299 | BA 3.500 | D 4.500 | G 0.167 |
| O 8.557 | H 0.406 | AA 1.118" | ER 7.319 | EQ 1.563 |
| ET 5.941 | U 0.8745 | EM 1.000 | EL 1.250 | EP 1.376 |
| ES 1.654 | t1 0.748 | t2 1.102 | C 18.543 | CH 1.377 |
| FC 7.874 | Flange FC-149 | AJ 5.874 | AK 4.500 | BD 6.496 |
| BF UNC 3/8"x16 | BB 0.138 | AH 7.319 | | |

| | |
|--|-------------|
| Performed by: | |
| Checked: | |
| Customer: | |
| Close Coupled Pump: Three-Phase - W01 (Rolled Steel) "JP" Type - ODP - | |
| Three-phase induction motor Frame 182/4JP - ODP | 12-SEP-2016 |

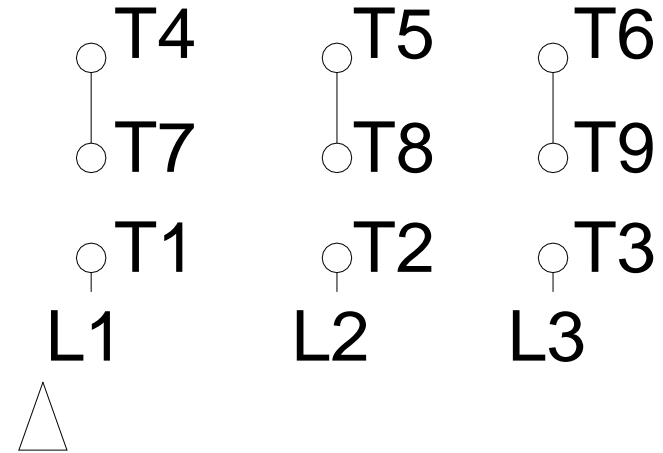
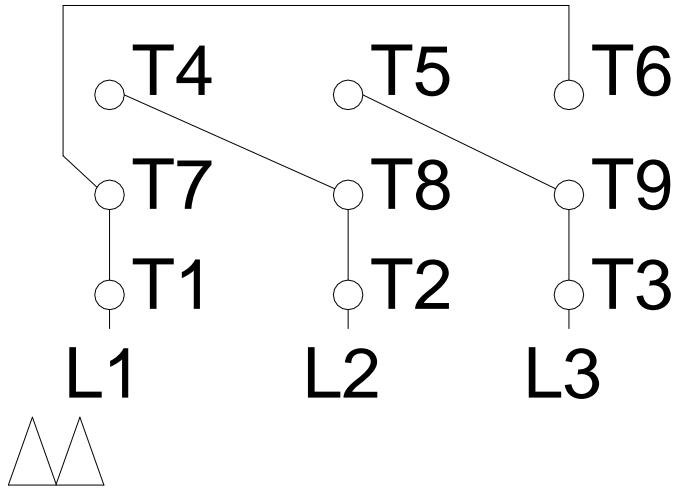


1 2 3 4 5 6 7 8

LOW VOLTAGE

HIGH VOLTAGE

A
B
C
D
E
F



Notes: Downloaded from <http://dealerselectric.com>
Generated for Model #00152OT3E182JP-S

Performed by:

Checked:

Customer:

Close Coupled Pump: Three-Phase - W01 (Rolled Steel) "JP" Type - ODP -

Three-phase induction motor
Frame 182/4JP - IP21

12-SEP-2016

