



Dealers Industrial Equipment

No.:

Date: 12-SEP-2016

Customer :

TECHNICAL PROPOSAL

Three-phase induction motor - Squirrel cage rotor

Product line : Three-Phase: W21 IE3 IEC Tru-Metric - TEFC (IP55) Multi-Mounting Aluminum
Frame
Catalog Number : 00152ET3WAL100L
List Price : \$812

Notes:

Downloaded from <http://dealerselectric.com>
Generated for Model #00152ET3WAL100L

Performed by:

Checked:



Dealers Industrial Equipment

No.:

Date: 12-SEP-2016

DATA SHEET

Three-phase induction motor - Squirrel cage rotor

Customer :
 Product line : Three-Phase: W21 IE3 IEC Tru-Metric - TEFC (IP55) Multi-Mounting Aluminum Frame

Frame : 100L
 Output : 2 HP
 Frequency : 60 Hz
 Poles : 6
 Full load speed : 1155 rpm
 Slip : 3.75 %
 Voltage : 460 V
 Rated current : 3.15 A
 Locked rotor current : 19.8 A
 Locked rotor current (I_L/I_n) : 6.3
 No-load current : 2.08 A
 Full load torque : 8.97 lb.ft
 Locked rotor torque : 250 %
 Breakdown torque : 320 %
 Design : N
 Insulation class : F
 Temperature rise : 80 K
 Locked rotor time : 31 s (hot)
 Service factor : 1.25
 Duty cycle : S1
 Ambient temperature : -20°C - +40°C
 Altitude : 1000 m
 Degree of Protection : IP55
 Approximate weight : 71 lb
 Moment of inertia : 0.33934 sq.ft.lb
 Noise level : 44 dB(A)

	D.E.	N.D.E.
Bearings	6206 ZZ	6205 ZZ
Regreasing interval	---	---
Grease amount	---	---

Load	Power factor	Efficiency (%)
100%	0.69	86.5
75%	0.61	85.5
50%	0.48	82.5

Notes:
 Downloaded from <http://dealerselectric.com>
 Generated for Model #00152ET3WAL100L

Performed by

Checked



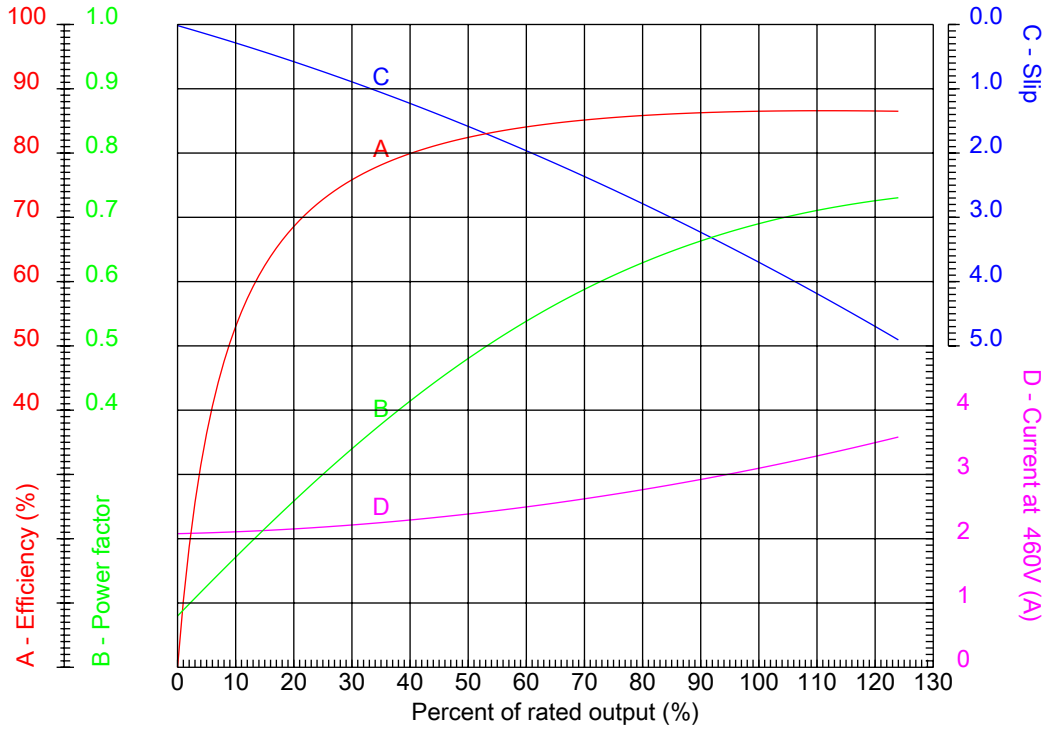
Dealers Industrial Equipment

No.:

Date: 12-SEP-2016

PERFORMANCE CURVES RELATED TO RATED OUTPUT

Three-phase induction motor - Squirrel cage rotor



Customer :
 Product line : Three-Phase: W21 IE3 IEC Tru-Metric - TEFC (IP55) Multi-Mounting Aluminum Frame

Frame : 100L	Locked rotor current (I _L /I _n) : 6.3
Output : 2 HP	Duty cycle : S1
Frequency : 60 Hz	Service factor : 1.25
Full load speed : 1155 rpm	Design : N
Voltage : 460 V	Locked rotor torque : 250 %
Rated current : 3.15 A	Breakdown torque : 320 %
Insulation class : F	

Notes:
 Downloaded from <http://dealerselectric.com>
 Generated for Model #00152ET3WAL100L

Performed by

Checked



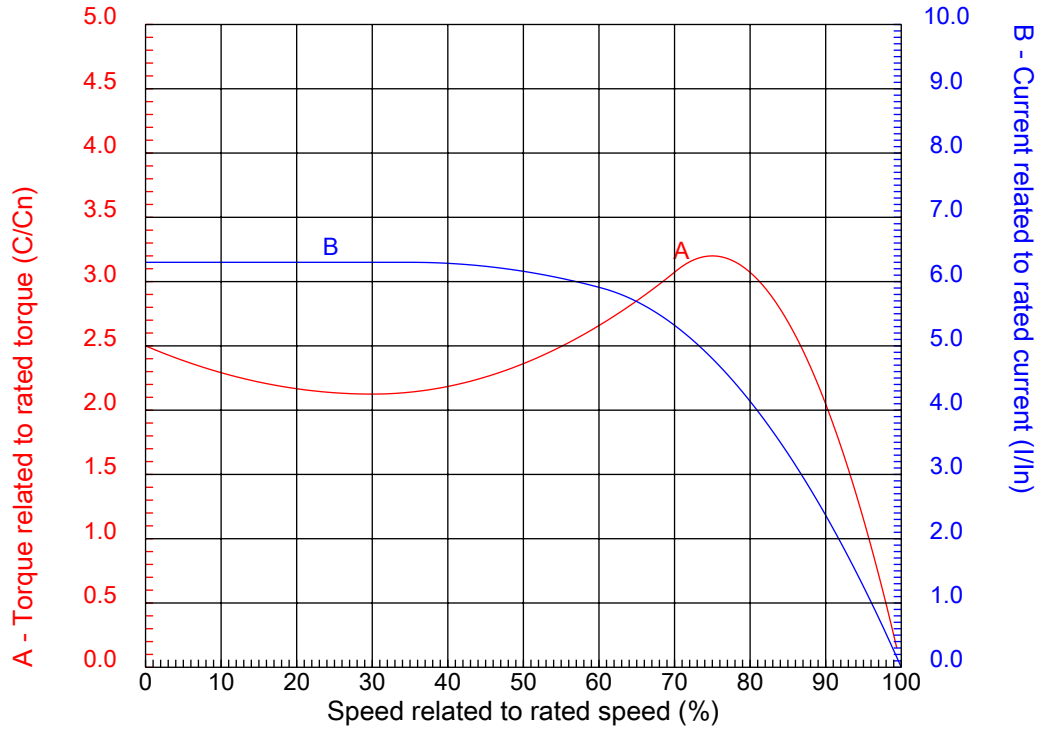
Dealers Industrial Equipment

No.:

Date: 12-SEP-2016

CHARACTERISTIC CURVES RELATED TO SPEED

Three-phase induction motor - Squirrel cage rotor



Customer	:	
Product line	:	Three-Phase: W21 IE3 IEC Tru-Metric - TEFC (IP55) Multi-Mounting Aluminum Frame

Frame	:	100L	Locked rotor current (I _l /I _n)	:	6.3
Output	:	2 HP	Duty cycle	:	S1
Frequency	:	60 Hz	Service factor	:	1.25
Full load speed	:	1155 rpm	Design	:	N
Voltage	:	460 V	Locked rotor torque	:	250 %
Rated current	:	3.15 A	Breakdown torque	:	320 %
Insulation class	:	F			

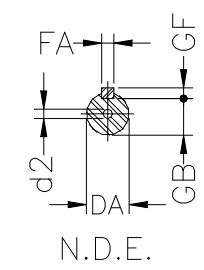
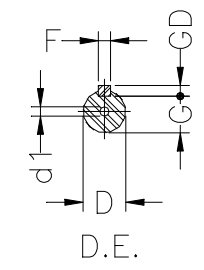
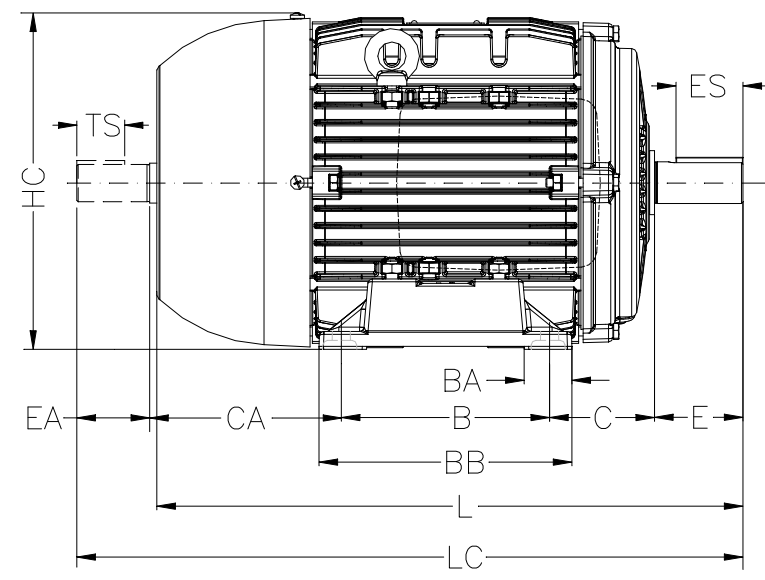
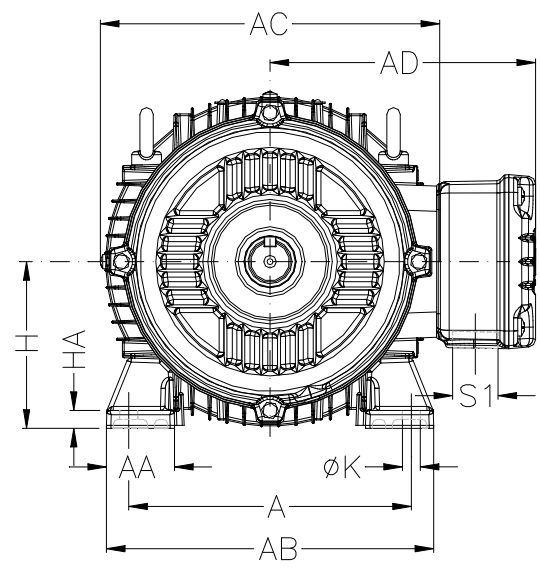
Notes:
 Downloaded from <http://dealerselectric.com>
 Generated for Model #00152ET3WAL100L

Performed by

Checked

1 2 3 4 5 6 7 8

A
B
C
D
E
F



Notes: Downloaded from <http://dealerselectric.com>
Generated for Model #00152ET3WAL100L

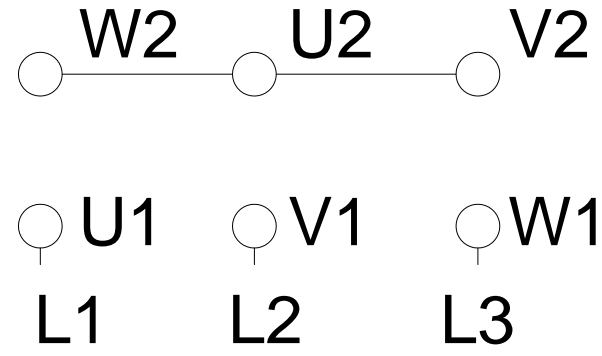
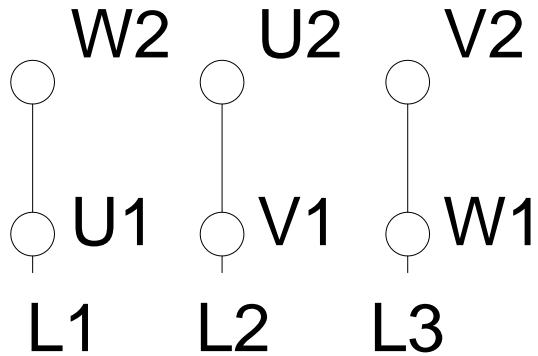
A 160	AA 40	AB 196	AC 200	AD 165
B 140	BA 30	BB 170	C 63	CA 118
D 28j6	E 60	ES 45	F 8	G 24
GD 7	DA 22j6	EA 50	TS 36	FA 6
GB 18.5	GF 6	H 100	HA 12	HC 198
HD 260	K 12	L 376	LC 431	d1 DM10
d2 DM8				

Performed by:
Checked:
Customer:
Three-Phase: W21 IE3 IEC Tru-Metric - TEFC (IP55) Multi-Mounting Aluminum
Three-phase induction motor
Frame 100L - IP55
12-SEP-2016



LOW VOLTAGE

HIGH VOLTAGE



Notes: Downloaded from http://dealerselectric.com Generated for Model #00152ET3WAL100L		
Performed by:		
Checked:		
Customer:		
Three-Phase: W21 IE3 IEC Tru-Metric - TEFC (IP55) Multi-Mounting Aluminum		
Three-phase induction motor Frame 100L - IP55	12-SEP-2016	