



# Dealers Industrial Equipment

No.:

Date: 12-SEP-2016

Customer :

## TECHNICAL PROPOSAL

### Three-phase induction motor - Squirrel cage rotor

Product line : Three-Phase : Rolled Steel Motor - NEMA Premium Efficiency

Catalog Number : 00152ET3HRS182T

List Price : \$>(discontinued)</span>

#### Notes:

Downloaded from <http://dealerselectric.com>

Generated for Model #00152ET3HRS182T

Performed by:

Checked:



# Dealers Industrial Equipment

No.:

Date: 12-SEP-2016

## DATA SHEET

### Three-phase induction motor - Squirrel cage rotor

Customer :  
 Product line : Three-Phase : Rolled Steel Motor - NEMA Premium Efficiency

Frame : 182T  
 Output : 1.5 HP  
 Frequency : 60 Hz  
 Poles : 6  
 Full load speed : 1165 rpm  
 Slip : 2.92 %  
 Voltage : 575 V  
 Rated current : 1.91 A  
 Locked rotor current : 15.3 A  
 Locked rotor current (I<sub>L</sub>/I<sub>n</sub>) : 8.0  
 No-load current : 1.30 A  
 Full load torque : 6.67 lb.ft  
 Locked rotor torque : 320 %  
 Breakdown torque : 400 %  
 Design : B  
 Insulation class : F  
 Temperature rise : 80 K  
 Locked rotor time : 16 s (hot)  
 Service factor : 1.15  
 Duty cycle : S1  
 Ambient temperature : -20°C - +40°C  
 Altitude : 1000 m  
 Degree of Protection : IP55  
 Approximate weight : 71 lb  
 Moment of inertia : 0.48789 sq.ft.lb  
 Noise level : ---

|                     | D.E.    | N.D.E.  | Load | Power factor | Efficiency (%) |
|---------------------|---------|---------|------|--------------|----------------|
| Bearings            | 6206 ZZ | 6206 ZZ | 100% | 0.66         | 87.5           |
| Regreasing interval | ---     | ---     | 75%  | 0.56         | 86.5           |
| Grease amount       | ---     | ---     | 50%  | 0.45         | 84.0           |

Notes:  
 Downloaded from <http://dealerselectric.com>  
 Generated for Model #00152ET3HRS182T

Performed by

Checked



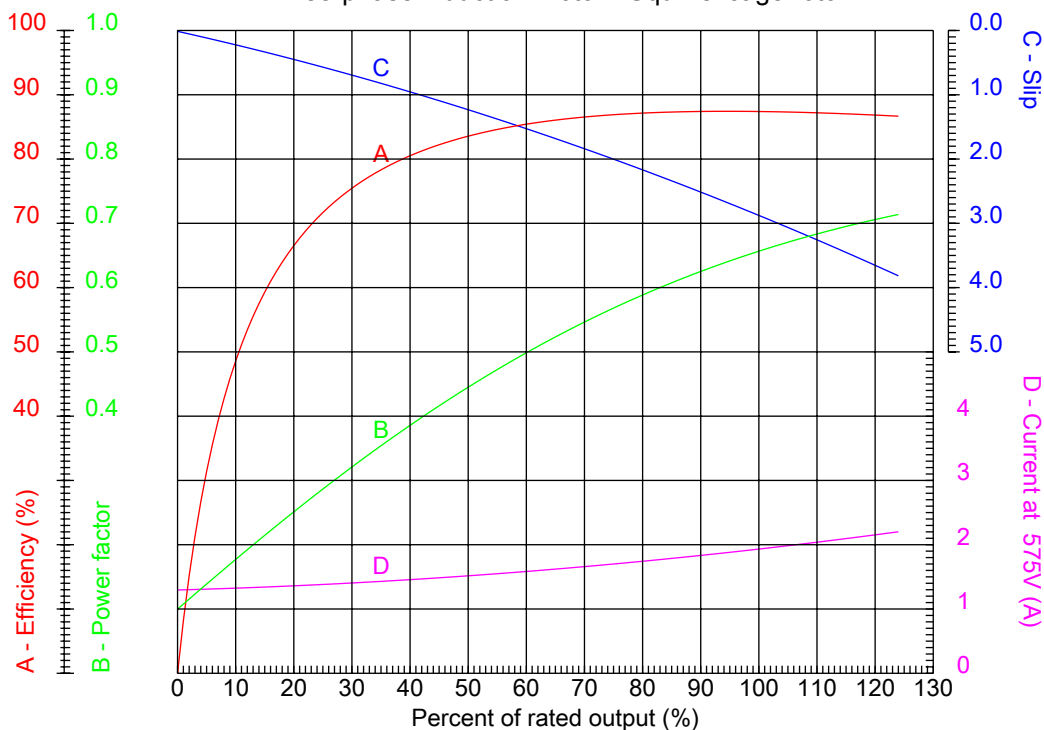
# Dealers Industrial Equipment

No.:

Date: 12-SEP-2016

## PERFORMANCE CURVES RELATED TO RATED OUTPUT

Three-phase induction motor - Squirrel cage rotor



Customer :  
Product line : Three-Phase : Rolled Steel Motor - NEMA Premium Efficiency

|                            |                                                              |
|----------------------------|--------------------------------------------------------------|
| Frame : 182T               | Locked rotor current (I <sub>L</sub> /I <sub>n</sub> ) : 8.0 |
| Output : 1.5 HP            | Duty cycle : S1                                              |
| Frequency : 60 Hz          | Service factor : 1.15                                        |
| Full load speed : 1165 rpm | Design : B                                                   |
| Voltage : 575 V            | Locked rotor torque : 320 %                                  |
| Rated current : 1.91 A     | Breakdown torque : 400 %                                     |
| Insulation class : F       |                                                              |

Notes:  
Downloaded from <http://dealerselectric.com>  
Generated for Model #00152ET3HRS182T

Performed by

Checked



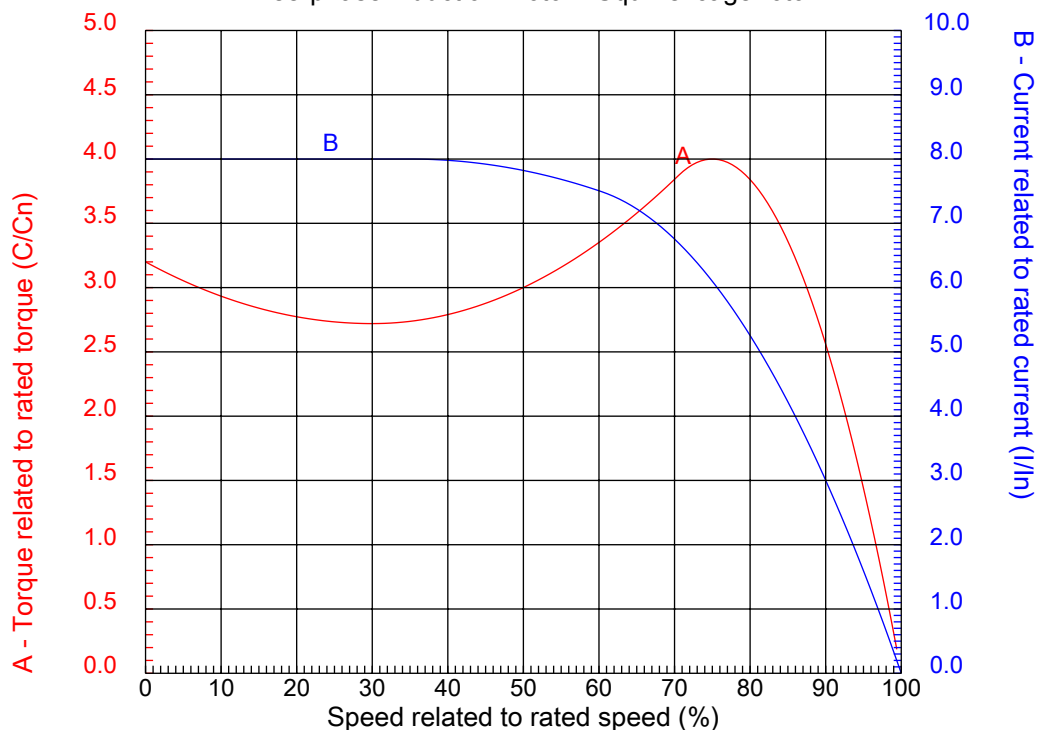
# Dealers Industrial Equipment

No.:

Date: 12-SEP-2016

## CHARACTERISTIC CURVES RELATED TO SPEED

Three-phase induction motor - Squirrel cage rotor



Customer :  
Product line : Three-Phase : Rolled Steel Motor - NEMA Premium Efficiency

|                  |            |                                                        |         |
|------------------|------------|--------------------------------------------------------|---------|
| Frame            | : 182T     | Locked rotor current (I <sub>l</sub> /I <sub>n</sub> ) | : 8.0   |
| Output           | : 1.5 HP   | Duty cycle                                             | : S1    |
| Frequency        | : 60 Hz    | Service factor                                         | : 1.15  |
| Full load speed  | : 1165 rpm | Design                                                 | : B     |
| Voltage          | : 575 V    | Locked rotor torque                                    | : 320 % |
| Rated current    | : 1.91 A   | Breakdown torque                                       | : 400 % |
| Insulation class | : F        |                                                        |         |

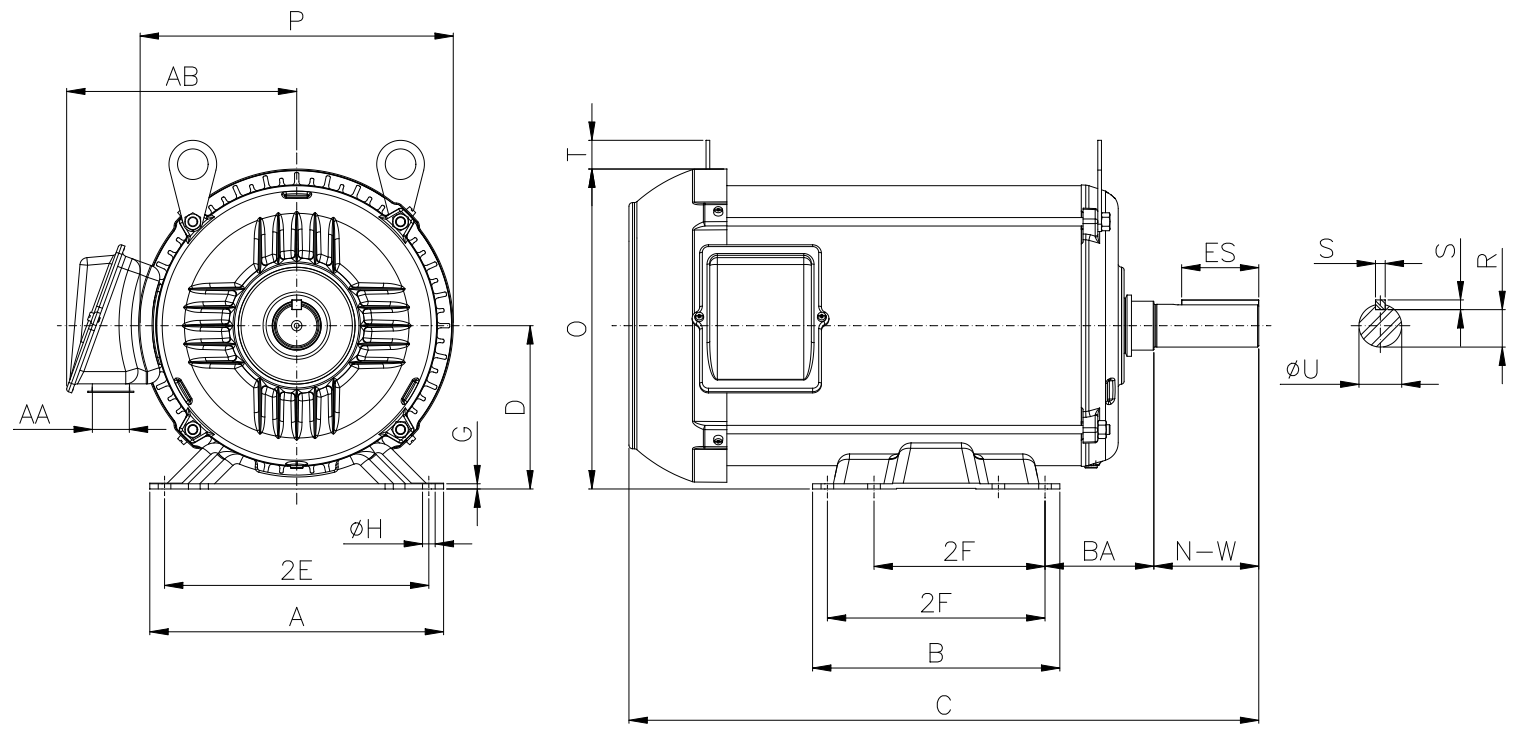
Notes:  
Downloaded from <http://dealerselectric.com>  
Generated for Model #00152ET3HRS182T

Performed by

Checked

1 2 3 4 5 6 7 8

A  
B  
C  
D  
E  
F



Notes: Downloaded from <http://dealerselectric.com>  
Generated for Model #00152ET3HRS182T

Performed by:

Checked:

Customer:

Three-Phase : Rolled Steel Motor - NEMA Premium Efficiency

|             |             |                |              |                   |
|-------------|-------------|----------------|--------------|-------------------|
| 2E<br>7.500 | A<br>8.661  | P<br>8.694     | AB<br>6.353  | 2F<br>4.500/5.500 |
| B<br>6.299  | BA<br>2.750 | U<br>1.125     | N-W<br>2.750 | ES<br>1.969       |
| S<br>0.250  | R<br>0.984  | depth<br>0.250 | D<br>4.500   | G<br>0.167        |
| O<br>8.847  | T<br>0.902  | H<br>0.406     | C<br>16.404  | d1<br>A 4         |
| d2<br>A 4   |             |                |              |                   |

Three-phase induction motor  
Frame 182T - IP55

12-SEP-2016



1 2 3 4 5 6 7 8

A

B

C

D

E

F



Notes: Downloaded from <http://dealerselectric.com>  
Generated for Model #00152ET3HRS182T

Performed by:

Checked:

Customer:

Three-Phase : Rolled Steel Motor - NEMA Premium Efficiency

Three-phase induction motor  
Frame 182T - IP55

12-SEP-2016

