



Dealers Industrial Equipment

No.:

Date: 12-SEP-2016

Customer :

TECHNICAL PROPOSAL

Three-phase induction motor - Squirrel cage rotor

Product line : Three-Phase : Rolled Steel Motor - NEMA Premium Efficiency

Catalog Number : 00152ET3ERS182TC

List Price : \$>(discontinued)</span>

Notes:

Downloaded from <http://dealerselectric.com>

Generated for Model #00152ET3ERS182TC

Performed by:

Checked:



# Dealers Industrial Equipment

No.:

Date: 12-SEP-2016

## DATA SHEET Three-phase induction motor - Squirrel cage rotor

Customer :  
 Product line : Three-Phase : Rolled Steel Motor - NEMA Premium Efficiency

Frame : 182T  
 Output : 1.5 HP  
 Frequency : 60 Hz  
 Poles : 6  
 Full load speed : 1165 rpm  
 Slip : 2.92 %  
 Voltage : 208-230/460 V  
 Rated current : 5.28-4.78/2.39 A  
 Locked rotor current : 38.2/19.1 A  
 Locked rotor current (I<sub>L</sub>/I<sub>n</sub>) : 8.0  
 No-load current : 3.25/1.63 A  
 Full load torque : 6.67 lb.ft  
 Locked rotor torque : 320 %  
 Breakdown torque : 400 %  
 Design : B  
 Insulation class : F  
 Temperature rise : 80 K  
 Locked rotor time : 16 s (hot)  
 Service factor : 1.15  
 Duty cycle : S1  
 Ambient temperature : -20°C - +40°C  
 Altitude : 1000 m  
 Degree of Protection : IP55  
 Approximate weight : 71 lb  
 Moment of inertia : 0.48789 sq.ft.lb  
 Noise level : ---

	D.E.	N.D.E.
Bearings	6206 ZZ	6206 ZZ
Regreasing interval	---	---
Grease amount	---	---

Load	Power factor	Efficiency (%)
100%	0.66	87.5
75%	0.56	86.5
50%	0.45	84.0

Notes:  
 Downloaded from <http://dealerselectric.com>  
 Generated for Model #00152ET3ERS182TC

Performed by

Checked



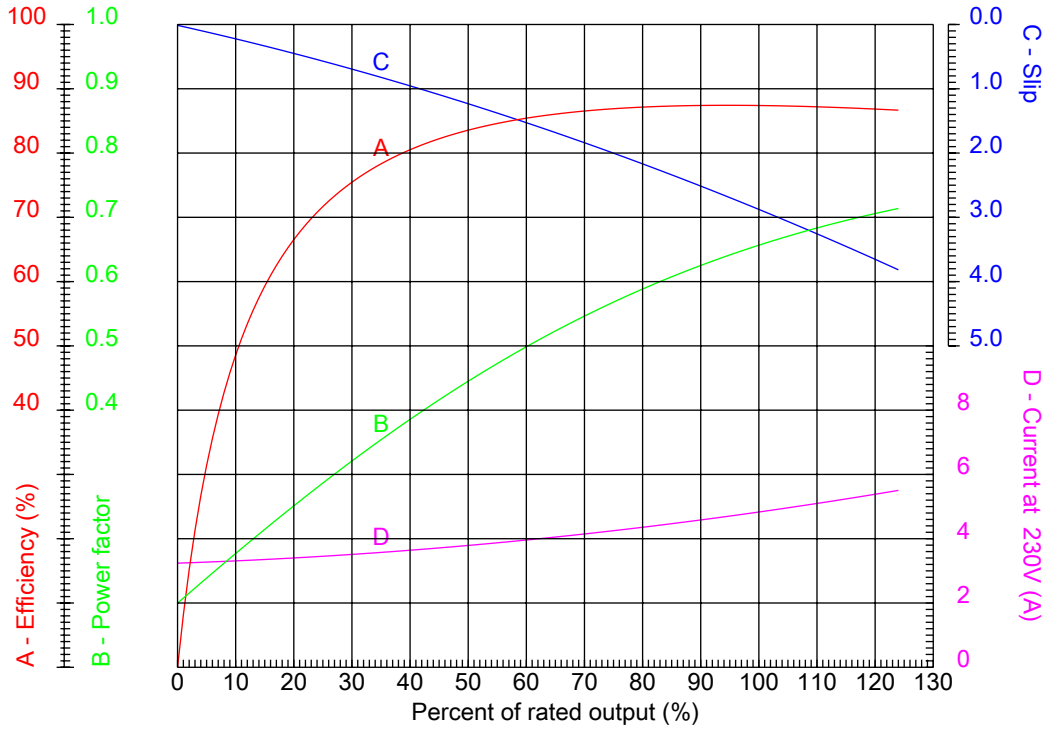
# Dealers Industrial Equipment

No.:

Date: 12-SEP-2016

## PERFORMANCE CURVES RELATED TO RATED OUTPUT

Three-phase induction motor - Squirrel cage rotor



Customer :  
 Product line : Three-Phase : Rolled Steel Motor - NEMA Premium Efficiency

Frame	: 182T	Locked rotor current (I <sub>L</sub> /I <sub>n</sub> )	: 8.0
Output	: 1.5 HP	Duty cycle	: S1
Frequency	: 60 Hz	Service factor	: 1.15
Full load speed	: 1165 rpm	Design	: B
Voltage	: 208-230/460 V	Locked rotor torque	: 320 %
Rated current	: 5.28-4.78/2.39 A	Breakdown torque	: 400 %
Insulation class	: F		

Notes:  
 Downloaded from <http://dealerselectric.com>  
 Generated for Model #00152ET3ERS182TC

Performed by

Checked



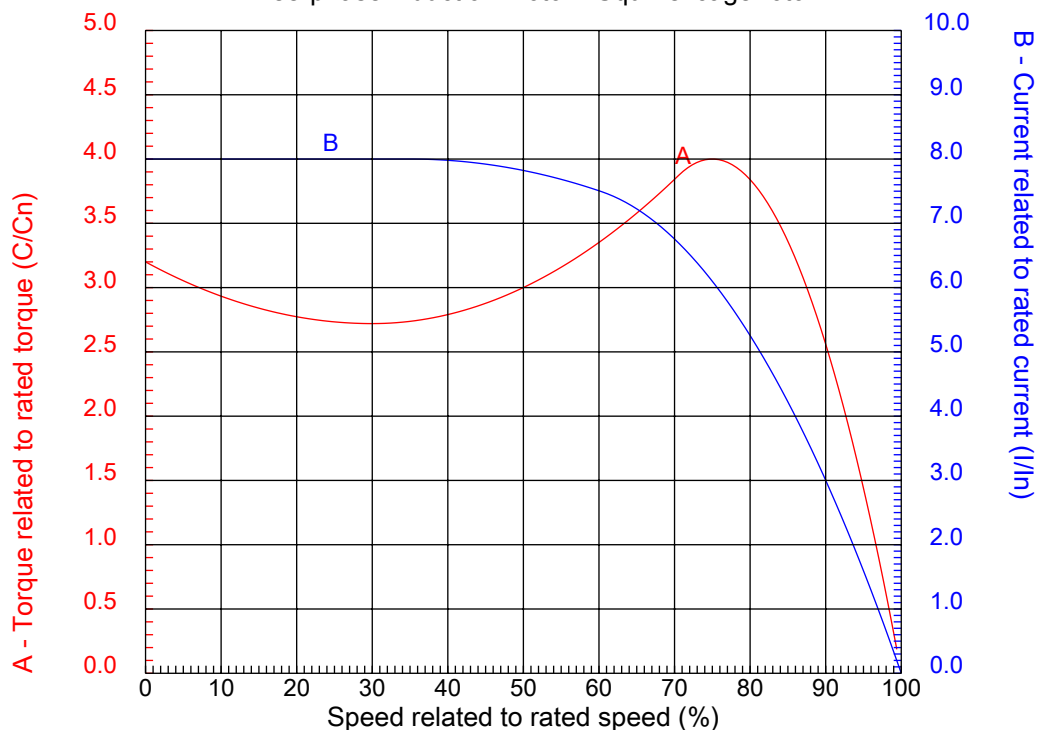
# Dealers Industrial Equipment

No.:

Date: 12-SEP-2016

## CHARACTERISTIC CURVES RELATED TO SPEED

Three-phase induction motor - Squirrel cage rotor



Customer :  
Product line : Three-Phase : Rolled Steel Motor - NEMA Premium Efficiency

Frame	: 182T	Locked rotor current (I <sub>l</sub> /I <sub>n</sub> )	: 8.0
Output	: 1.5 HP	Duty cycle	: S1
Frequency	: 60 Hz	Service factor	: 1.15
Full load speed	: 1165 rpm	Design	: B
Voltage	: 208-230/460 V	Locked rotor torque	: 320 %
Rated current	: 5.28-4.78/2.39 A	Breakdown torque	: 400 %
Insulation class	: F		

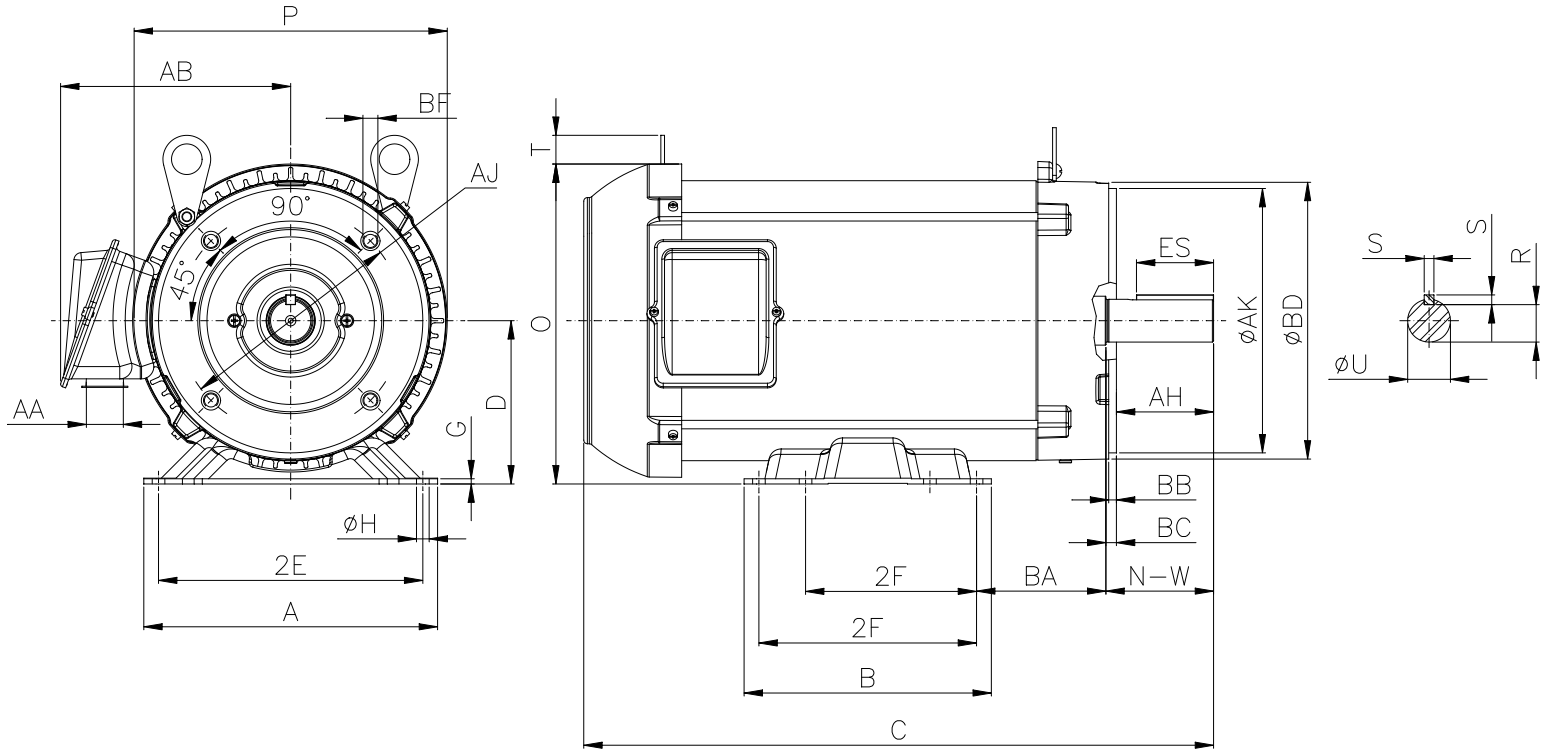
Notes:  
Downloaded from <http://dealerselectric.com>  
Generated for Model #00152ET3ERS182TC

Performed by

Checked

1 2 3 4 5 6 7 8

A  
B  
C  
D  
E  
F



Notes: Downloaded from <http://dealerselectric.com>  
Generated for Model #00152ET3ERS182TC

Performed by:

Checked:

Customer:

Three-Phase : Rolled Steel Motor - NEMA Premium Efficiency

2E 7.500	A 8.661	P 8.694	AB 6.353	2F 4.500/5.500
B 6.299	BA 3.500	U 1.125	N-W 2.750	ES 1.969
S 0.250	R 0.984	depth 0.250	D 4.500	G 0.167
O 8.847	T 0.902	H 0.406	C 16.404	d1 A 4
d2 A 4	Flange FC-184	AJ 7.250	AK 8.500	BD 8.875
BF UNC 1/2"x13	BB 0.250	BC 0.125	AH 2.625	

Three-phase induction motor  
Frame 182T - IP55

12-SEP-2016



1 2 3 4 5 6 7 8

# LOW VOLTAGE

# HIGH VOLTAGE

A  
B  
C  
D  
E  
F



Notes: Downloaded from <a href="http://dealerselectric.com">http://dealerselectric.com</a> Generated for Model #00152ET3ERS182TC		
Performed by:		
Checked:		
Customer:		
Three-Phase : Rolled Steel Motor - NEMA Premium Efficiency		
Three-phase induction motor Frame 182T - IP55	12-SEP-2016	