



# Dealers Industrial Equipment

No.:

Date: 12-SEP-2016

Customer :

## TECHNICAL PROPOSAL

### Three-phase induction motor - Squirrel cage rotor

Product line : W22 Cooling Tower Motors: NEMA Premium - TEFC

Catalog Number : 00152ET3ECT182T-W22

List Price : \$903

#### Notes:

Downloaded from <http://dealerselectric.com>

Generated for Model #00152ET3ECT182T-W22

Performed by:

Checked:



Dealers Industrial Equipment

No.:

Date: 12-SEP-2016

### DATA SHEET Three-phase induction motor - Squirrel cage rotor

Customer :  
Product line : W22 Cooling Tower Motors: NEMA Premium - TEFC

Frame : 182T  
Output : 1.5 HP  
Frequency : 60 Hz  
Poles : 6  
Full load speed : 1170 rpm  
Slip : 2.50 %  
Voltage : 208-230/460 V  
Rated current : 5.62-5.08/2.54 A  
Locked rotor current : 39.6/19.8 A  
Locked rotor current (I<sub>L</sub>/I<sub>n</sub>) : 7.8  
No-load current : 3.25/1.63 A  
Full load torque : 6.64 lb.ft  
Locked rotor torque : 320 %  
Breakdown torque : 400 %  
Design : B  
Insulation class : F  
Temperature rise : 80 K  
Locked rotor time : 16 s (hot)  
Service factor : 1.25  
Duty cycle : S1  
Ambient temperature : -20°C - +40°C  
Altitude : 1000 m  
Degree of Protection : IP55  
Approximate weight : 70 lb  
Moment of inertia : 0.48789 sq.ft.lb  
Noise level : 52 dB(A)

|                     | D.E.     | N.D.E.   |
|---------------------|----------|----------|
| Bearings            | 6207 2RS | 6206 2RS |
| Regreasing interval | ---      | ---      |
| Grease amount       | ---      | ---      |

| Load | Power factor | Efficiency (%) |
|------|--------------|----------------|
| 100% | 0.62         | 87.5           |
| 75%  | 0.54         | 86.5           |
| 50%  | 0.45         | 84.0           |

Notes:  
Downloaded from <http://dealerselectric.com>  
Generated for Model #00152ET3ECT182T-W22

Performed by

Checked



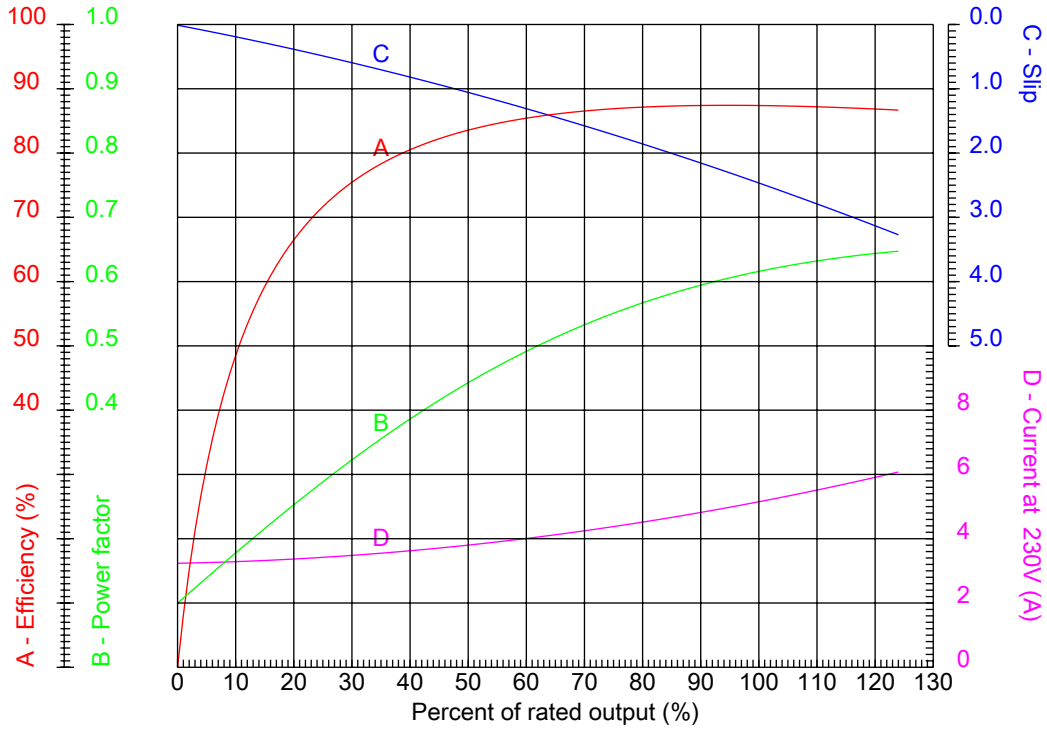
# Dealers Industrial Equipment

No.:

Date: 12-SEP-2016

## PERFORMANCE CURVES RELATED TO RATED OUTPUT

Three-phase induction motor - Squirrel cage rotor



Customer :  
 Product line : W22 Cooling Tower Motors: NEMA Premium - TEFC

|                                  |  |
|----------------------------------|--|
| Frame : 182T                     | Locked rotor current (I <sub>L</sub> /I <sub>n</sub> ) : 7.8 |
| Output : 1.5 HP                  | Duty cycle : S1  |
| Frequency : 60 Hz                | Service factor : 1.25  |
| Full load speed : 1170 rpm       | Design : B   |
| Voltage : 208-230/460 V          | Locked rotor torque : 320 %                                  |
| Rated current : 5.62-5.08/2.54 A | Breakdown torque : 400 %                                     |
| Insulation class : F             |  |

Notes:  
 Downloaded from <http://dealerselectric.com>  
 Generated for Model #00152ET3ECT182T-W22

Performed by

Checked



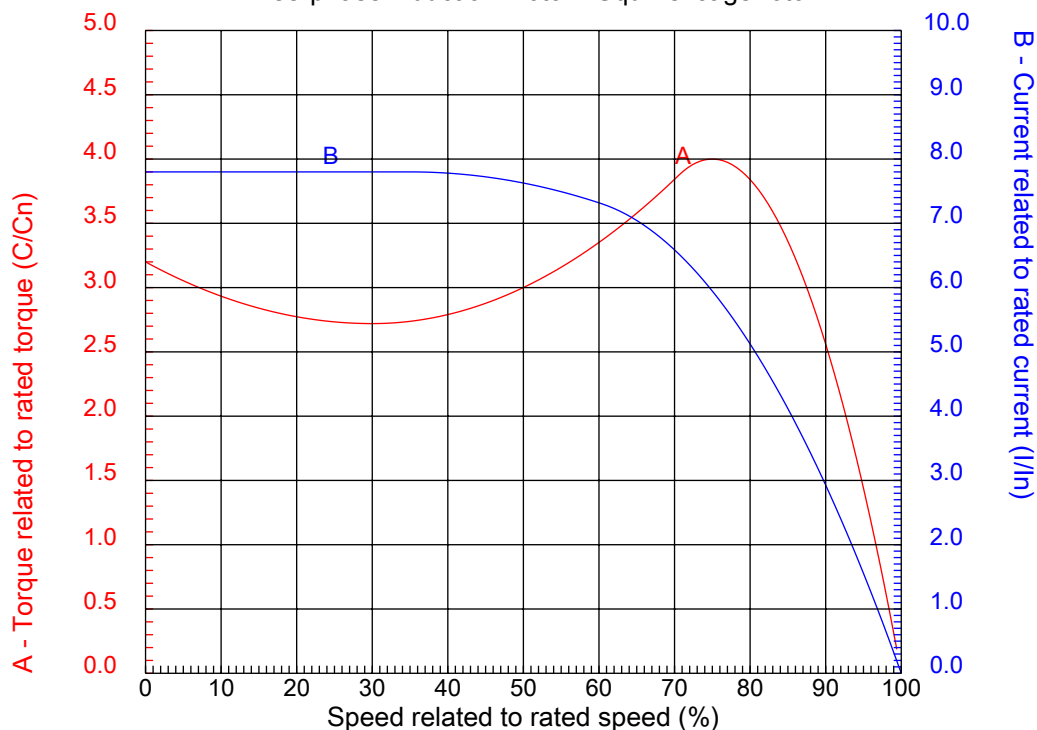
# Dealers Industrial Equipment

No.:

Date: 12-SEP-2016

## CHARACTERISTIC CURVES RELATED TO SPEED

Three-phase induction motor - Squirrel cage rotor



Customer :  
Product line : W22 Cooling Tower Motors: NEMA Premium - TEFC

|                  |                    |  |         |
|------------------|--------------------|--|---------|
| Frame            | : 182T             | Locked rotor current (I <sub>l</sub> /I <sub>n</sub> ) | : 7.8   |
| Output           | : 1.5 HP           | Duty cycle   | : S1    |
| Frequency        | : 60 Hz            | Service factor   | : 1.25  |
| Full load speed  | : 1170 rpm         | Design   | : B     |
| Voltage          | : 208-230/460 V    | Locked rotor torque                                    | : 320 % |
| Rated current    | : 5.62-5.08/2.54 A | Breakdown torque                                       | : 400 % |
| Insulation class | : F                |  |         |

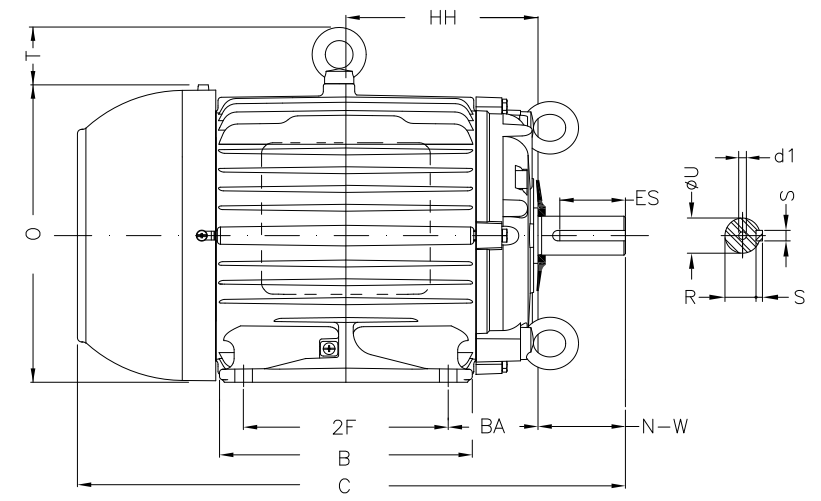
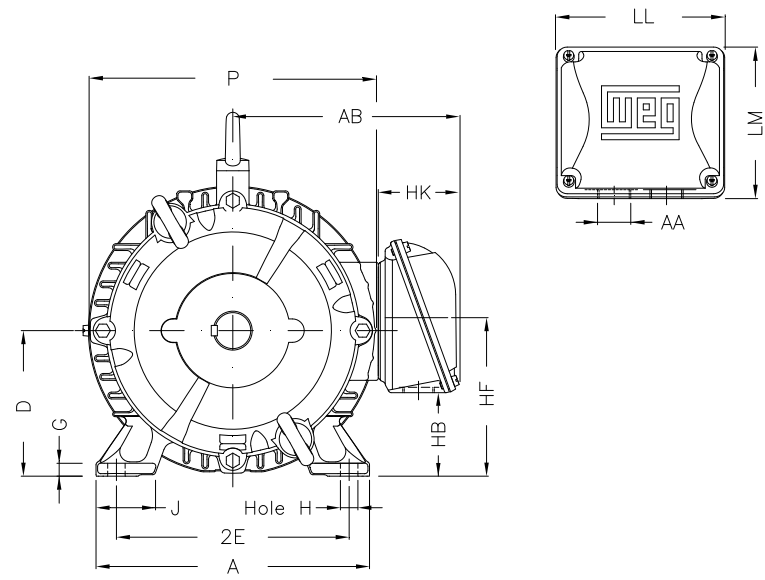
Notes:  
Downloaded from <http://dealerselectric.com>  
Generated for Model #00152ET3ECT182T-W22

Performed by

Checked

1 2 3 4 5 6 7 8

A  
B  
C  
D  
E  
F



Notes: Downloaded from <http://dealerselectric.com>  
Generated for Model #00152ET3ECT182T-W22

Performed by:

Checked:

Customer:

W22 Cooling Tower Motors: NEMA Premium - TEFC

Three-phase induction motor  
Frame 182T - IP55

12-SEP-2016



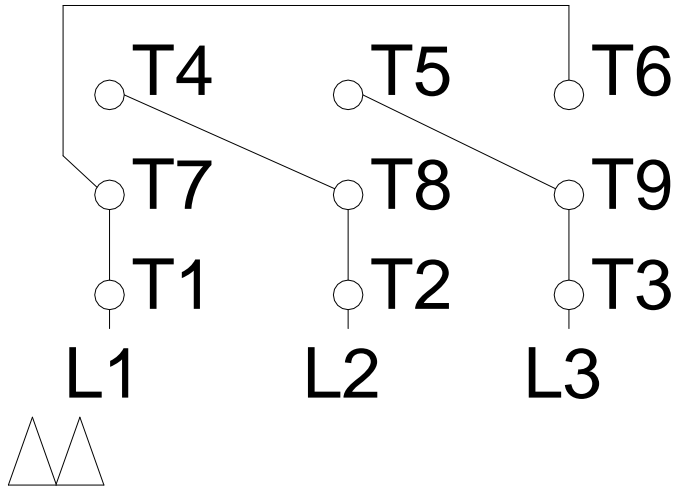
|             |              |             |                |              |
|-------------|--------------|-------------|----------------|--------------|
| 2E<br>7.500 | J<br>1.614   | A<br>8.661  | P<br>8.504     | AB<br>7.565  |
| 2F<br>4.500 | B<br>5.945   | BA<br>2.750 | U<br>1.125     | N-W<br>2.750 |
| ES<br>1.969 | S<br>0.250   | R<br>0.984  | depth<br>0.250 | D<br>4.500   |
| G<br>0.394  | HB<br>2.236  | O<br>9.343  | T<br>1.772     | HF<br>4.500  |
| HH<br>5.000 | HK<br>3.150  | H<br>0.406  | C<br>14.860    | LL<br>5.512  |
| LM<br>5.236 | AA<br>NPT 1" | d1<br>A 4   | d2<br>A 4      |              |

1 2 3 4 5 6 7 8

# LOW VOLTAGE

# HIGH VOLTAGE

A  
B  
C  
D  
E  
F



|  |             |  |
|--|-------------|--|
| Notes: Downloaded from <a href="http://dealerselectric.com">http://dealerselectric.com</a><br>Generated for Model #00152ET3ECT182T-W22 |             |  |
| Performed by:  |             |  |
| Checked:   |             |  |
| Customer:  |             |  |
| W22 Cooling Tower Motors: NEMA Premium - TEFC  |             |  |
| Three-phase induction motor<br>Frame 182T - IP55   | 12-SEP-2016 |  |