



Dealers Industrial Equipment

No.:

Date: 12-SEP-2016

Customer :

TECHNICAL PROPOSAL

Three-phase induction motor - Squirrel cage rotor

Product line : Three-Phase : Rolled Steel Motor - High Efficiency

Catalog Number : 00152EP3ERSR182TC

List Price : \$580

Notes:

Downloaded from <http://dealerselectric.com>

Generated for Model #00152EP3ERSR182TC

Performed by:

Checked:



# Dealers Industrial Equipment

No.:

Date: 12-SEP-2016

## DATA SHEET Three-phase induction motor - Squirrel cage rotor

Customer :  
 Product line : Three-Phase : Rolled Steel Motor - High Efficiency

Frame : 182T  
 Output : 1.5 HP  
 Frequency : 60 Hz  
 Poles : 6  
 Full load speed : 1165 rpm  
 Slip : 2.92 %  
 Voltage : 230/460 V  
 Rated current : 4.74/2.37 A  
 Locked rotor current : 37.9/19.0 A  
 Locked rotor current (I<sub>L</sub>/I<sub>n</sub>) : 8.0  
 No-load current : 3.26/1.63 A  
 Full load torque : 6.67 lb.ft  
 Locked rotor torque : 320 %  
 Breakdown torque : 400 %  
 Design : B  
 Insulation class : F  
 Temperature rise : 80 K  
 Locked rotor time : 36 s (hot)  
 Service factor : 1.15  
 Duty cycle : S1  
 Ambient temperature : -20°C - +40°C  
 Altitude : 1000 m  
 Degree of Protection : IP55  
 Approximate weight : 71 lb  
 Moment of inertia : 0.48789 sq.ft.lb  
 Noise level : ---

	D.E.	N.D.E.
Bearings	6206 ZZ	6206 ZZ
Regreasing interval	---	---
Grease amount	---	---

Load	Power factor	Efficiency (%)
100%	0.68	85.5
75%	0.58	84.0
50%	0.47	81.5

Notes:  
 Downloaded from <http://dealerselectric.com>  
 Generated for Model #00152EP3ERSR182TC

Performed by

Checked



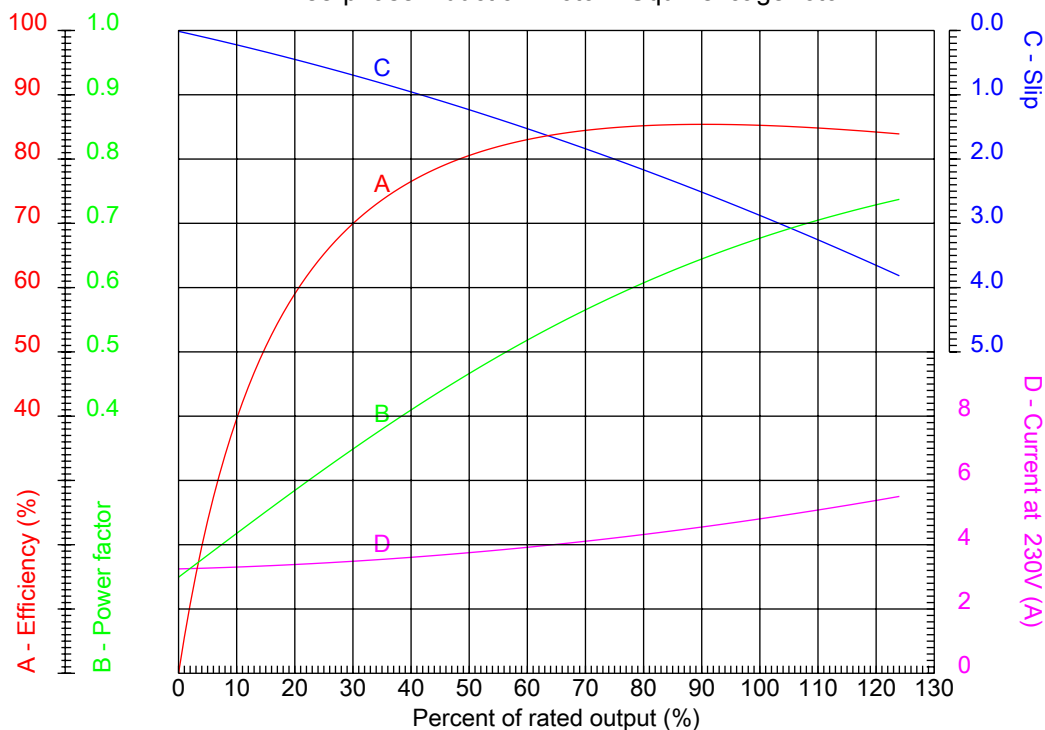
# Dealers Industrial Equipment

No.:

Date: 12-SEP-2016

## PERFORMANCE CURVES RELATED TO RATED OUTPUT

Three-phase induction motor - Squirrel cage rotor



Customer :  
Product line : Three-Phase : Rolled Steel Motor - High Efficiency

Frame	: 182T	Locked rotor current (I <sub>l</sub> /I <sub>n</sub> )	: 8.0
Output	: 1.5 HP	Duty cycle	: S1
Frequency	: 60 Hz	Service factor	: 1.15
Full load speed	: 1165 rpm	Design	: B
Voltage	: 230/460 V	Locked rotor torque	: 320 %
Rated current	: 4.74/2.37 A	Breakdown torque	: 400 %
Insulation class	: F		

Notes:  
Downloaded from <http://dealerselectric.com>  
Generated for Model #00152EP3ERSR182TC

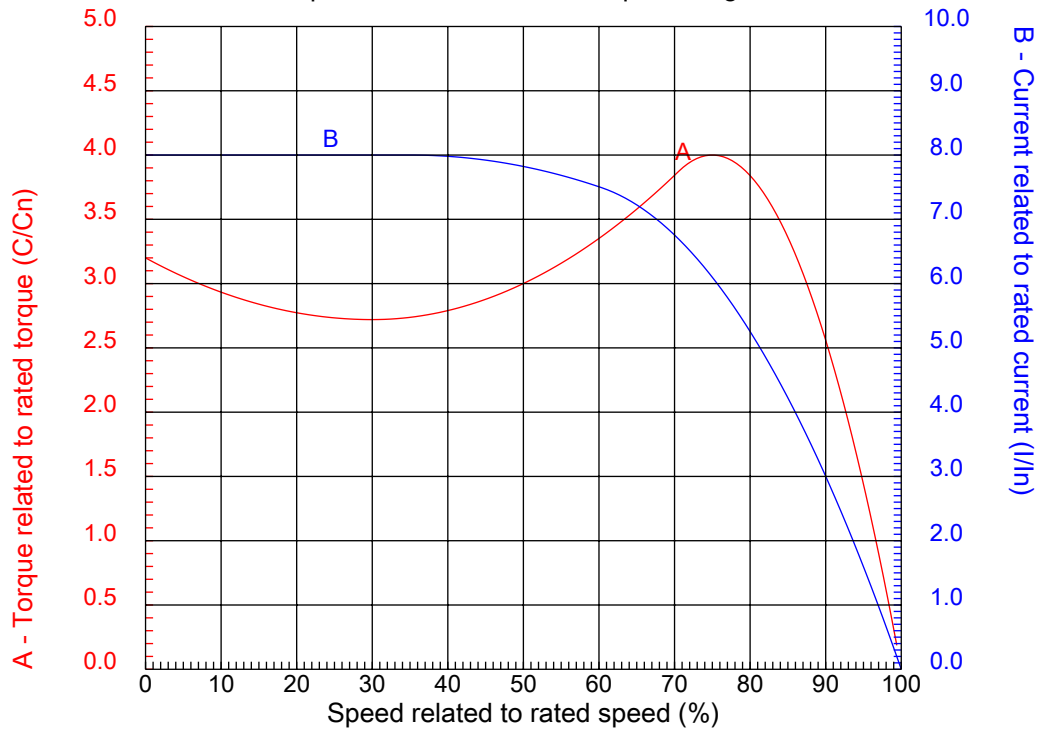
Performed by

Checked



## CHARACTERISTIC CURVES RELATED TO SPEED

Three-phase induction motor - Squirrel cage rotor



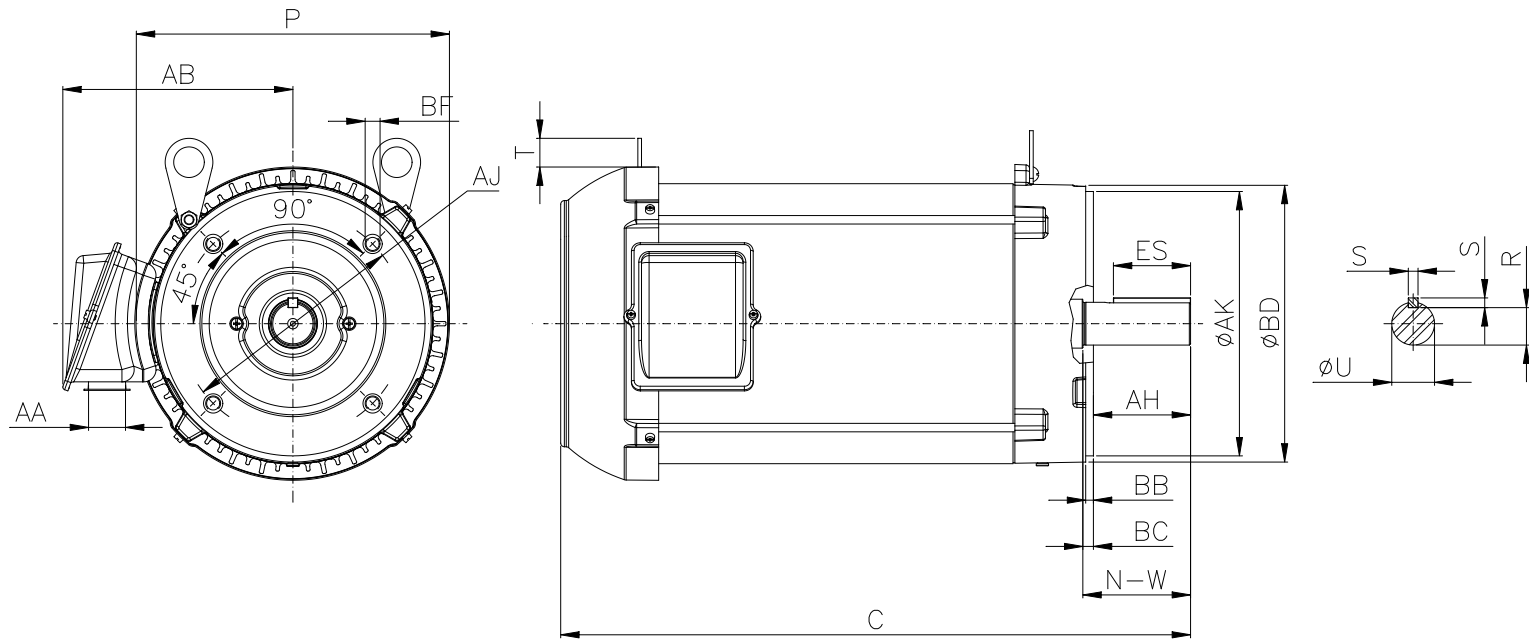
Customer :  
Product line : Three-Phase : Rolled Steel Motor - High Efficiency

Frame	: 182T	Locked rotor current (I <sub>l</sub> /I <sub>n</sub> )	: 8.0
Output	: 1.5 HP	Duty cycle	: S1
Frequency	: 60 Hz	Service factor	: 1.15
Full load speed	: 1165 rpm	Design	: B
Voltage	: 230/460 V	Locked rotor torque	: 320 %
Rated current	: 4.74/2.37 A	Breakdown torque	: 400 %
Insulation class	: F		

Notes:  
Downloaded from <http://dealerselectric.com>  
Generated for Model #00152EP3ERSR182TC

Performed by

Checked



Notes: Downloaded from <http://dealerselectric.com>  
 Generated for Model #00152EP3ERSR182TC

Performed by:

Checked:

Customer:

Three-Phase : Rolled Steel Motor - High Efficiency

P	AB	U	N-W	ES
8.694	6.353	1.125	2.750	1.969
S	R	depth	C	d1
0.250	0.984	0.250	16.404	A 4
d2	Flange	AJ	AK	BD
A 4	FC-184	7.250	8.500	8.875
BF	BB	BC		
UNC 1/2"x13	0.250	0.125		

Three-phase induction motor  
 Frame 182T - IP55

12-SEP-2016



1 2 3 4 5 6 7 8

# LOW VOLTAGE

# HIGH VOLTAGE

A  
B  
C  
D  
E  
F



Notes: Downloaded from <a href="http://dealerselectric.com">http://dealerselectric.com</a> Generated for Model #00152EP3ERSR182TC		
Performed by:		
Checked:		
Customer:		
Three-Phase : Rolled Steel Motor - High Efficiency		
Three-phase induction motor Frame 182T - IP55	12-SEP-2016	