



# Dealers Industrial Equipment

No.:

Date: 12-SEP-2016

Customer :

## TECHNICAL PROPOSAL

### Three-phase induction motor - Squirrel cage rotor

Product line : Three Phase: W01 (Rolled Steel) - TEFC - High Efficiency

Catalog Number : 00152EP3ER182TC-S

List Price : \$>(discontinued)</span>

#### Notes:

Downloaded from <http://dealerselectric.com>

Generated for Model #00152EP3ER182TC-S

Performed by:

Checked:



# Dealers Industrial Equipment

No.:

Date: 12-SEP-2016

## DATA SHEET Three-phase induction motor - Squirrel cage rotor

Customer :  
 Product line : Three Phase: W01 (Rolled Steel) - TEFC - High Efficiency

Frame : 182/4T  
 Output : 1.5 HP  
 Frequency : 60 Hz  
 Poles : 6  
 Full load speed : 1170 rpm  
 Slip : 2.50 %  
 Voltage : 208-230/460 V  
 Rated current : 5.02-4.54/2.27 A  
 Locked rotor current : 31.3/15.7 A  
 Locked rotor current (I<sub>L</sub>/I<sub>n</sub>) : 6.9  
 No-load current : 2.89/1.45 A  
 Full load torque : 6.64 lb.ft  
 Locked rotor torque : 210 %  
 Breakdown torque : 320 %  
 Design : B  
 Insulation class : F  
 Temperature rise : 80 K  
 Locked rotor time : 32 s (hot)  
 Service factor : 1.15  
 Duty cycle : S1  
 Ambient temperature : -20°C - +40°C  
 Altitude : 1000 m  
 Degree of Protection : IP55  
 Approximate weight : 71 lb  
 Moment of inertia : 0.47863 sq.ft.lb  
 Noise level : 52 dB(A)

|                     | D.E.    | N.D.E.  |
|---------------------|---------|---------|
| Bearings            | 6206 ZZ | 6205 ZZ |
| Regreasing interval | ---     | ---     |
| Grease amount       | ---     | ---     |

| Load | Power factor | Efficiency (%) |
|------|--------------|----------------|
| 100% | 0.71         | 85.5           |
| 75%  | 0.62         | 84.0           |
| 50%  | 0.50         | 81.5           |

Notes:  
 Downloaded from <http://dealerselectric.com>  
 Generated for Model #00152EP3ER182TC-S

Performed by

Checked



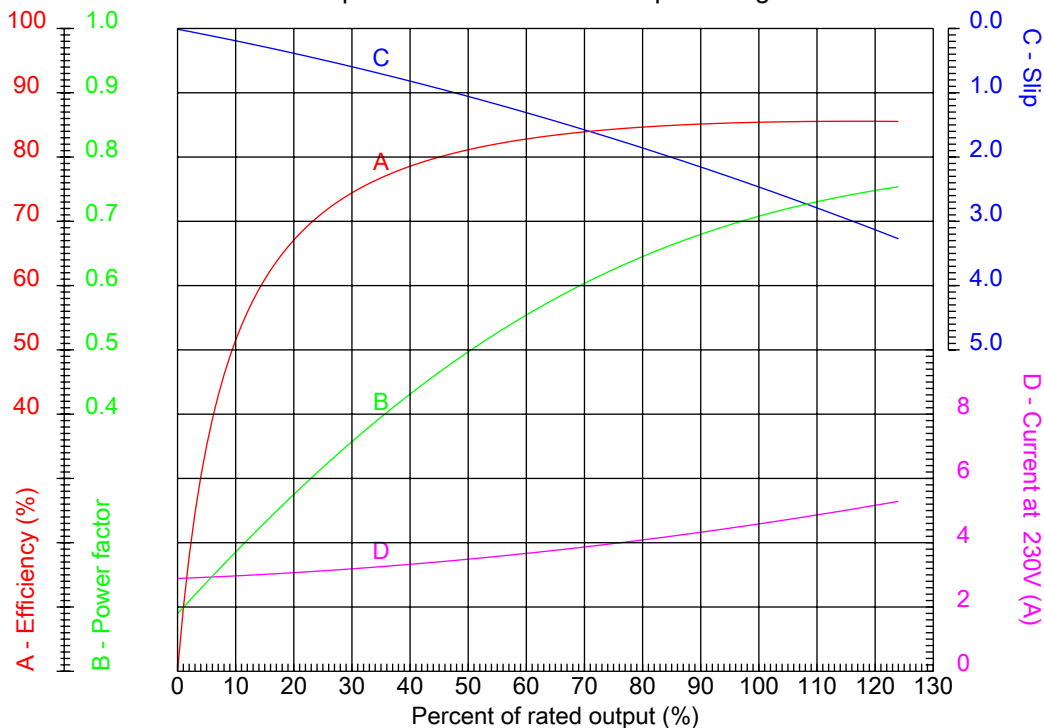
# Dealers Industrial Equipment

No.:

Date: 12-SEP-2016

## PERFORMANCE CURVES RELATED TO RATED OUTPUT

Three-phase induction motor - Squirrel cage rotor



Customer :  
 Product line : Three Phase: W01 (Rolled Steel) - TEFC - High Efficiency

|                  |                    |  |         |
|------------------|--------------------|--|---------|
| Frame            | : 182/4T           | Locked rotor current (I <sub>l</sub> /I <sub>n</sub> ) | : 6.9   |
| Output           | : 1.5 HP           | Duty cycle   | : S1    |
| Frequency        | : 60 Hz            | Service factor   | : 1.15  |
| Full load speed  | : 1170 rpm         | Design   | : B     |
| Voltage          | : 208-230/460 V    | Locked rotor torque                                    | : 210 % |
| Rated current    | : 5.02-4.54/2.27 A | Breakdown torque                                       | : 320 % |
| Insulation class | : F                |  |         |

Notes:  
 Downloaded from <http://dealerselectric.com>  
 Generated for Model #00152EP3ER182TC-S

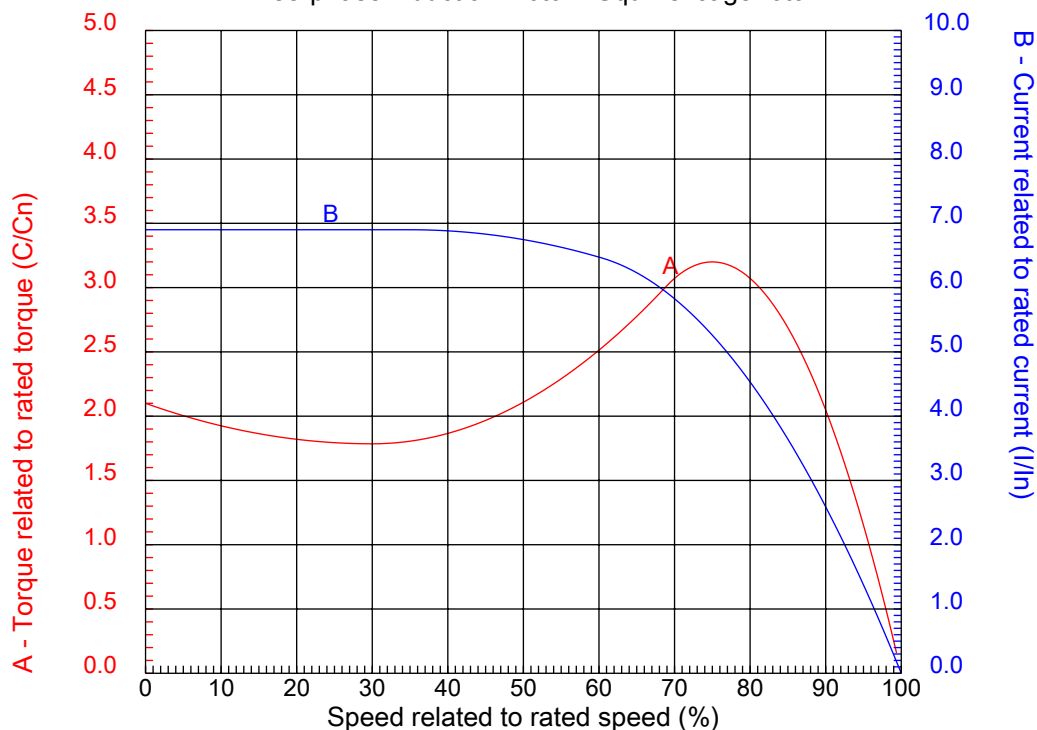
Performed by

Checked



## CHARACTERISTIC CURVES RELATED TO SPEED

Three-phase induction motor - Squirrel cage rotor



Customer :  
Product line : Three Phase: W01 (Rolled Steel) - TEFC - High Efficiency

|                  |                    |  |         |
|------------------|--------------------|--|---------|
| Frame            | : 182/4T           | Locked rotor current (I <sub>l</sub> /I <sub>n</sub> ) | : 6.9   |
| Output           | : 1.5 HP           | Duty cycle   | : S1    |
| Frequency        | : 60 Hz            | Service factor   | : 1.15  |
| Full load speed  | : 1170 rpm         | Design   | : B     |
| Voltage          | : 208-230/460 V    | Locked rotor torque                                    | : 210 % |
| Rated current    | : 5.02-4.54/2.27 A | Breakdown torque                                       | : 320 % |
| Insulation class | : F                |  |         |

Notes:  
Downloaded from <http://dealerselectric.com>  
Generated for Model #00152EP3ER182TC-S

Performed by

Checked

1 2 3 4 5 6 7 8

A

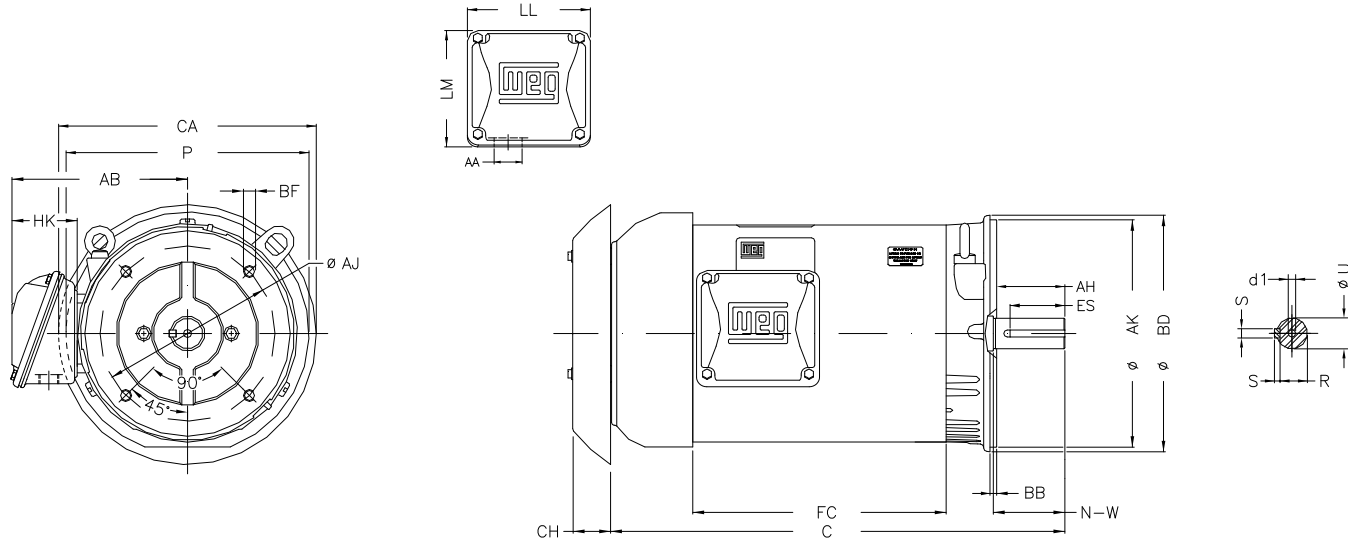
B

C

D

E

F



Notes: Downloaded from <http://dealerselectric.com>  
Generated for Model #00152EP3ER182TC-S

Performed by:

Checked:

Customer:

Three Phase: W01 (Rolled Steel) - TEFC - High Efficiency

Three-phase induction motor  
Frame 182/4T - IP55

12-SEP-2016



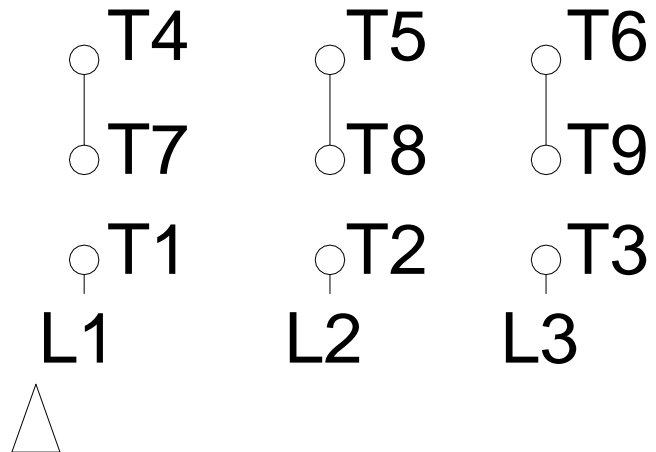
|                   |                  |              |             |             |
|-------------------|------------------|--------------|-------------|-------------|
| P<br>9.435        | AB<br>6.696      | HK<br>2.629  | FC<br>9.449 | C<br>17.126 |
| N-W<br>2.750      | ES<br>1.969      | d1<br>A 3.15 | S<br>0.250  | U<br>1.125  |
| AA<br>1.118"      | depth<br>0.250   | R<br>0.984   | LL<br>4.563 | LM<br>4.090 |
| CH<br>1.377       | Flange<br>FC-184 | AJ<br>7.250  | AK<br>8.500 | BD<br>8.846 |
| BF<br>UNC 1/2"x13 | BB<br>0.250      | AH<br>2.620  |             |             |

1 2 3 4 5 6 7 8

# LOW VOLTAGE

# HIGH VOLTAGE

A  
B  
C  
D  
E  
F



Notes: Downloaded from <http://dealerselectric.com>  
Generated for Model #00152EP3ER182TC-S

Performed by:

Checked:

Customer:

Three Phase: W01 (Rolled Steel) - TEFC - High Efficiency

Three-phase induction motor  
Frame 182/4T - IP55

12-SEP-2016

