



Dealers Industrial Equipment

No.:

Date: 12-SEP-2016

Customer :

TECHNICAL PROPOSAL

Three-phase induction motor - Squirrel cage rotor

Product line : Brake Motors : Three-Phase - High Efficiency
Catalog Number : 00152EP3EBM182T
List Price : \$>(discontinued)

Notes:
Downloaded from <http://dealerselectric.com>
Generated for Model #00152EP3EBM182T

Performed by:

Checked:



Dealers Industrial Equipment

No.:

Date: 12-SEP-2016

DATA SHEET Three-phase induction motor - Squirrel cage rotor

Customer :
Product line : Brake Motors : Three-Phase - High Efficiency

Frame : 182T
Output : 1.5 HP
Frequency : 60 Hz
Poles : 6
Full load speed : 1165 rpm
Slip : 2.92 %
Voltage : 230/460 V
Rated current : 4.74/2.37 A
Locked rotor current : 35.6/17.8 A
Locked rotor current (I_L/I_n) : 7.5
No-load current : 3.26/1.63 A
Full load torque : 6.67 lb.ft
Locked rotor torque : 290 %
Breakdown torque : 360 %
Design : B
Insulation class : F
Temperature rise : 80 K
Locked rotor time : 36 s (hot)
Service factor : 1.25
Duty cycle : S1
Ambient temperature : -20°C - +40°C
Altitude : 1000 m
Degree of Protection : IP55
Approximate weight : 130 lb
Moment of inertia : 0.39914 sq.ft.lb
Noise level : 52 dB(A)

	D.E.	N.D.E.
Bearings	6307 ZZ	6207 ZZ
Regreasing interval	---	---
Grease amount	---	---

Load	Power factor	Efficiency (%)
100%	0.68	85.5
75%	0.58	84.0
50%	0.47	81.5

Notes:
Downloaded from <http://dealerselectric.com>
Generated for Model #00152EP3EBM182T

Performed by

Checked



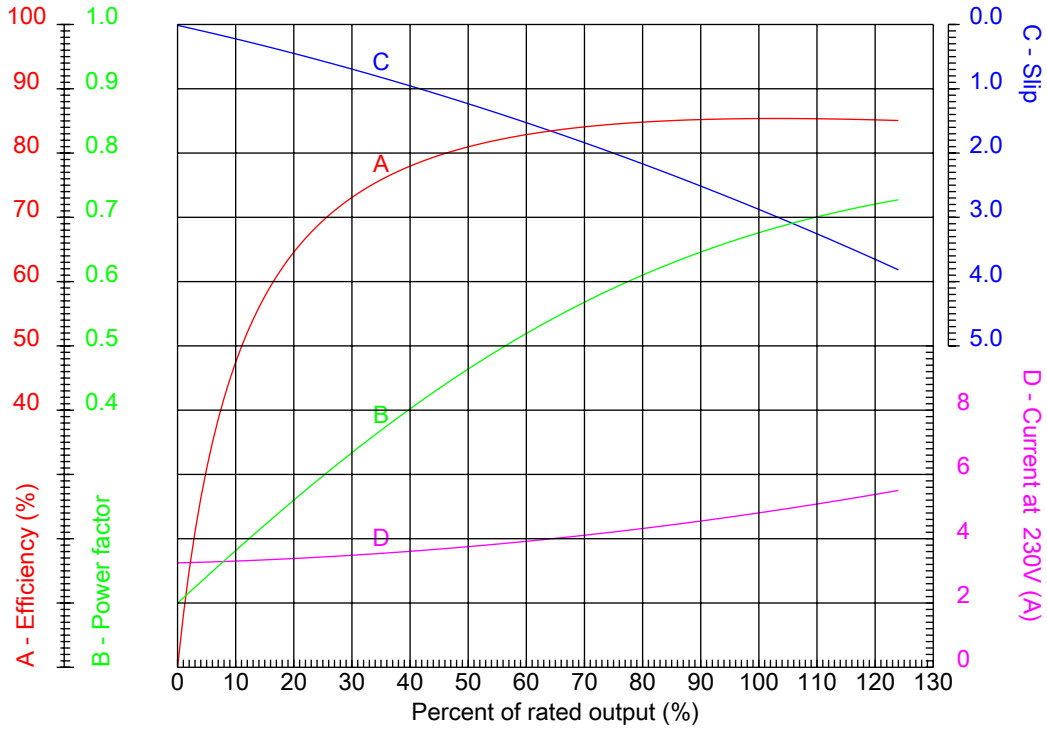
Dealers Industrial Equipment

No.:

Date: 12-SEP-2016

PERFORMANCE CURVES RELATED TO RATED OUTPUT

Three-phase induction motor - Squirrel cage rotor



Customer :
 Product line : Brake Motors : Three-Phase - High Efficiency

Frame	: 182T	Locked rotor current (I _l /I _n)	: 7.5
Output	: 1.5 HP	Duty cycle	: S1
Frequency	: 60 Hz	Service factor	: 1.25
Full load speed	: 1165 rpm	Design	: B
Voltage	: 230/460 V	Locked rotor torque	: 290 %
Rated current	: 4.74/2.37 A	Breakdown torque	: 360 %
Insulation class	: F		

Notes:
 Downloaded from <http://dealerselectric.com>
 Generated for Model #00152EP3EBM182T

Performed by

Checked



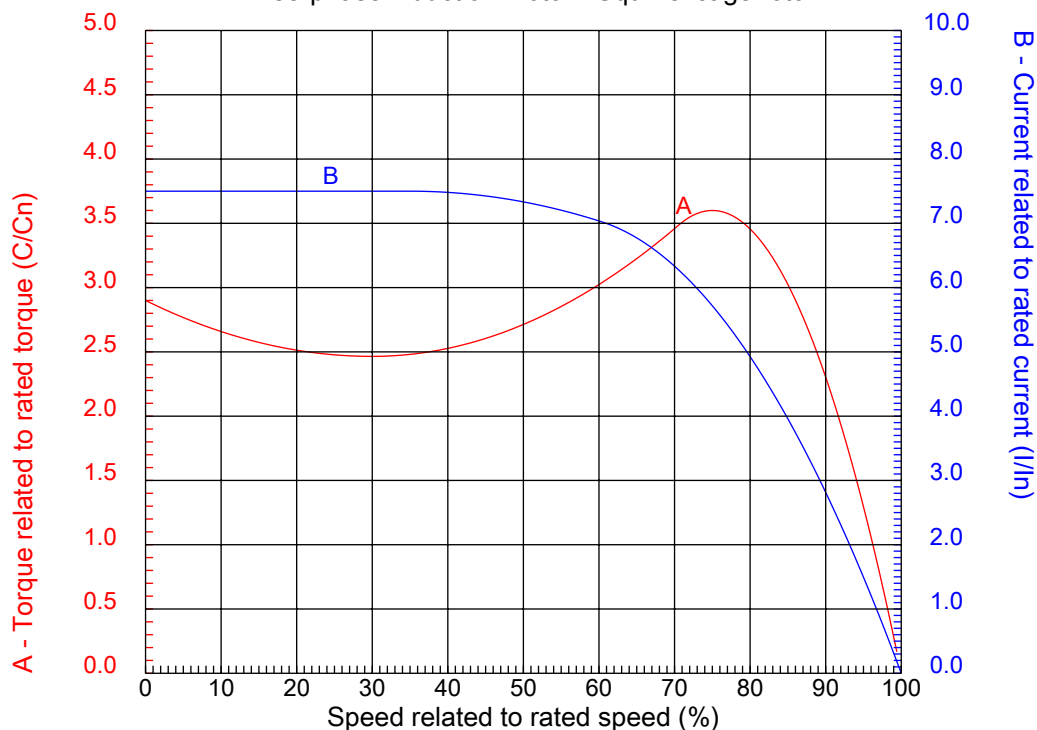
Dealers Industrial Equipment

No.:

Date: 12-SEP-2016

CHARACTERISTIC CURVES RELATED TO SPEED

Three-phase induction motor - Squirrel cage rotor



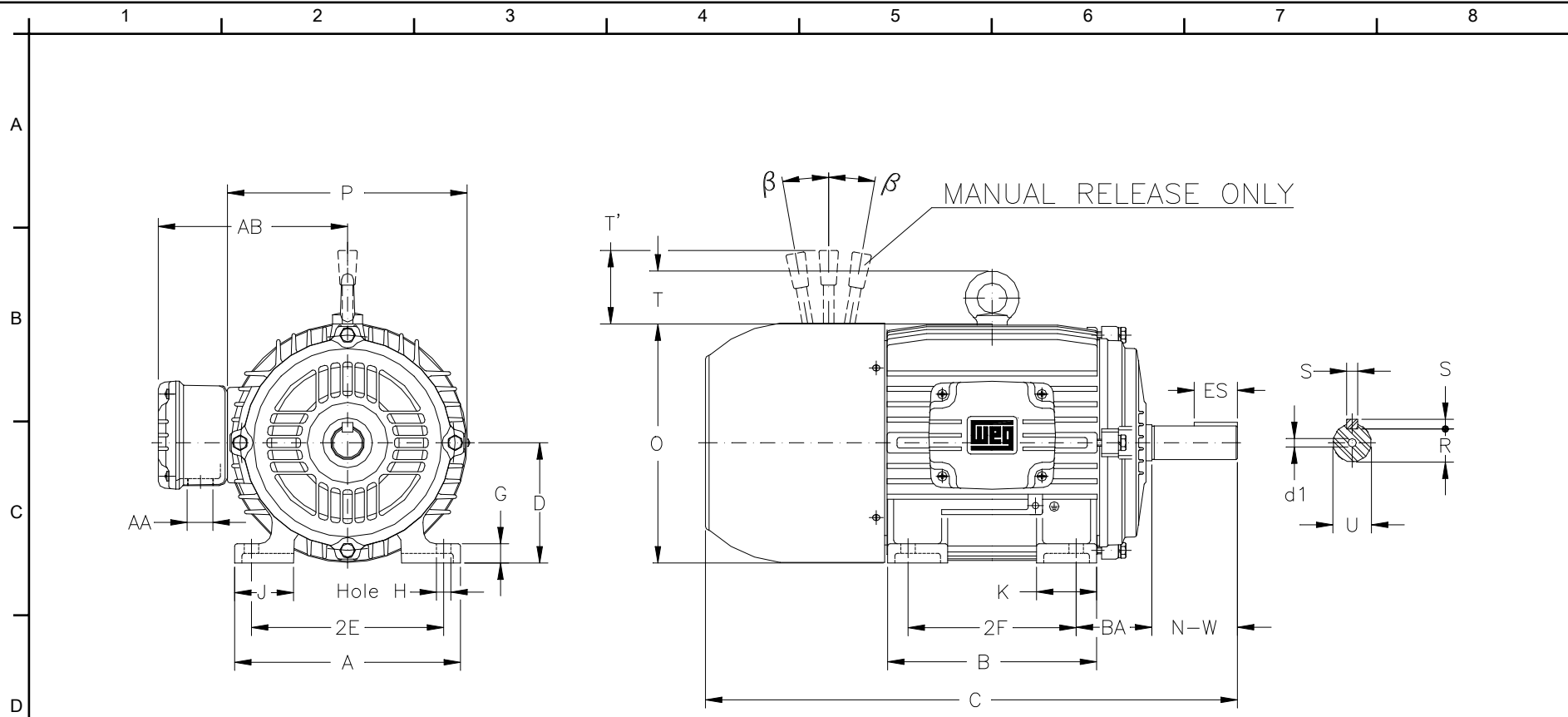
Customer :
Product line : Brake Motors : Three-Phase - High Efficiency

Frame	: 182T	Locked rotor current (I _l /I _n)	: 7.5
Output	: 1.5 HP	Duty cycle	: S1
Frequency	: 60 Hz	Service factor	: 1.25
Full load speed	: 1165 rpm	Design	: B
Voltage	: 230/460 V	Locked rotor torque	: 290 %
Rated current	: 4.74/2.37 A	Breakdown torque	: 360 %
Insulation class	: F		

Notes:
Downloaded from <http://dealerselectric.com>
Generated for Model #00152EP3EBM182T

Performed by

Checked



Notes: Downloaded from <http://dealerselectric.com>
 Generated for Model #00152EP3EBM182T

Performed by:

Checked:

Customer:

Brake Motors : Three-Phase - High Efficiency

Three-phase induction motor
 Frame 182T - IP55

12-SEP-2016



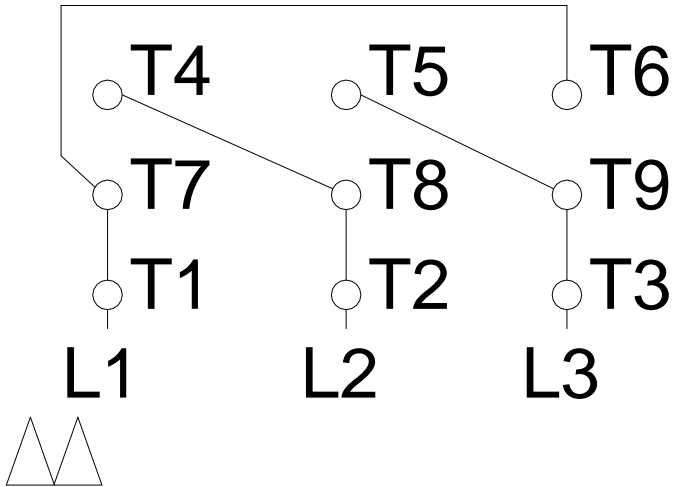
2E 7.500	A 8.661	2F 4.500	B 5.945	BA 2.750
J 1.890	K 1.969	P 8.740	ES 1.969	depth 0.250
S 0.250	N-W 2.750	U 1.125	R 0.984	AB 7.047
D 4.500	G 0.720	O 9.343	T 1.772	H 0.406
C 17.813	AA NPT 1"	d1 A 4	d2 A 4	

1 2 3 4 5 6 7 8

LOW VOLTAGE

HIGH VOLTAGE

A
B
C
D
E
F



Notes: Downloaded from http://dealerselectric.com Generated for Model #00152EP3EBM182T		
Performed by:		
Checked:		
Customer:		
Brake Motors : Three-Phase - High Efficiency		
Three-phase induction motor Frame 182T - IP55	12-SEP-2016	