



Dealers Industrial Equipment

No.:

Date: 12-SEP-2016

Customer :

TECHNICAL PROPOSAL

## Single-phase induction motor - Squirrel cage rotor

Product line : Single-Phase: Fractional Explosion Proof Motors

Catalog Number : 00136XS1B56C

List Price : \$814

Notes:

Downloaded from <http://dealerselectric.com>

Generated for Model #00136XS1B56C

Performed by:

Checked:



# Dealers Industrial Equipment

No.:

Date: 12-SEP-2016

## DATA SHEET Single-phase induction motor - Squirrel cage rotor

Customer :  
Product line : Single-Phase: Fractional Explosion Proof Motors

Frame : 56  
Output : 1 HP  
Frequency : 60 Hz  
Poles : 2  
Full load speed : 3450 rpm  
Slip : 4.17 %  
Voltage : 115/208-230 V  
Rated current : 10.6/5.30 A  
Locked rotor current : 68.9/34.5 A  
Locked rotor current (I<sub>L</sub>/I<sub>n</sub>) : 6.5  
No-load current : 5.80/2.90 A  
Full load torque : 1.50 lb.ft  
Locked rotor torque : 150 %  
Breakdown torque : 250 %  
Design : ---  
Insulation class : F  
Temperature rise : 80 K  
Locked rotor time : 4 s (hot)  
Service factor : 1.00  
Duty cycle : S1  
Ambient temperature : -20°C - +50°C  
Altitude : 1000 m  
Degree of Protection : IP55  
Approximate weight : 29 lb  
Moment of inertia : 0.01495 sq.ft.lb  
Noise level : ---

	D.E.	N.D.E.
Bearings	6203 ZZ	6203 ZZ
Regreasing interval	---	---
Grease amount	---	---

Load	Power factor	Efficiency (%)
100%	0.83	72.8
75%	0.77	71.0
50%	0.67	65.0

Notes:  
Downloaded from <http://dealerselectric.com>  
Generated for Model #00136XS1B56C

Performed by

Checked



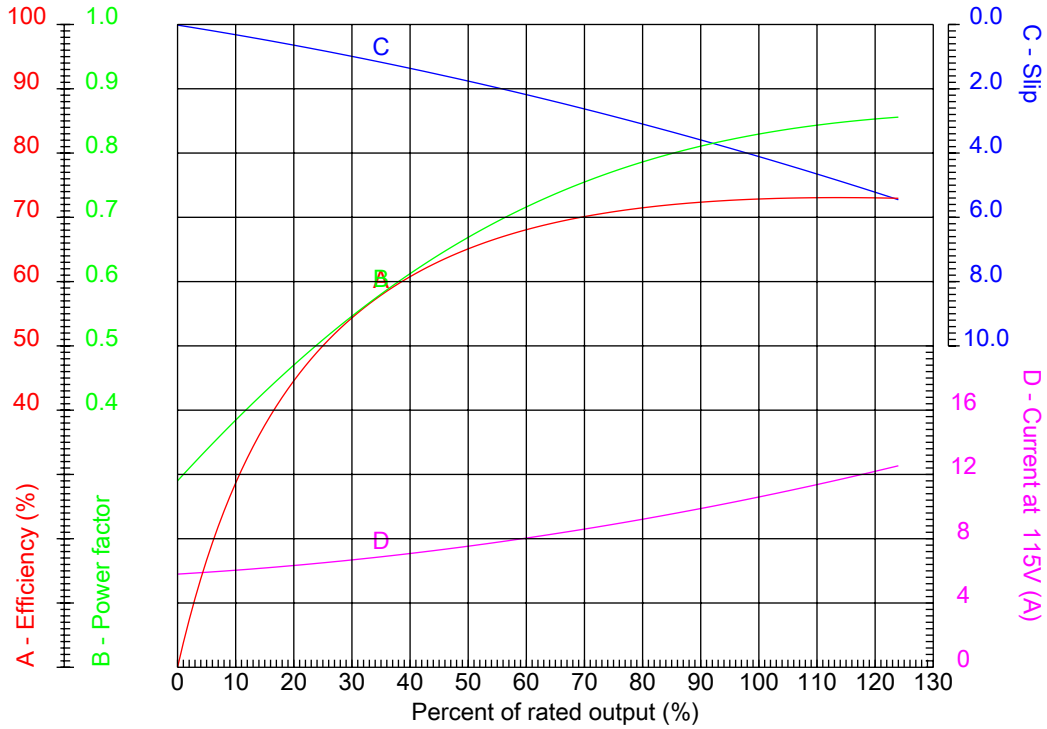
# Dealers Industrial Equipment

No.:

Date: 12-SEP-2016

## PERFORMANCE CURVES RELATED TO RATED OUTPUT

Single-phase induction motor - Squirrel cage rotor



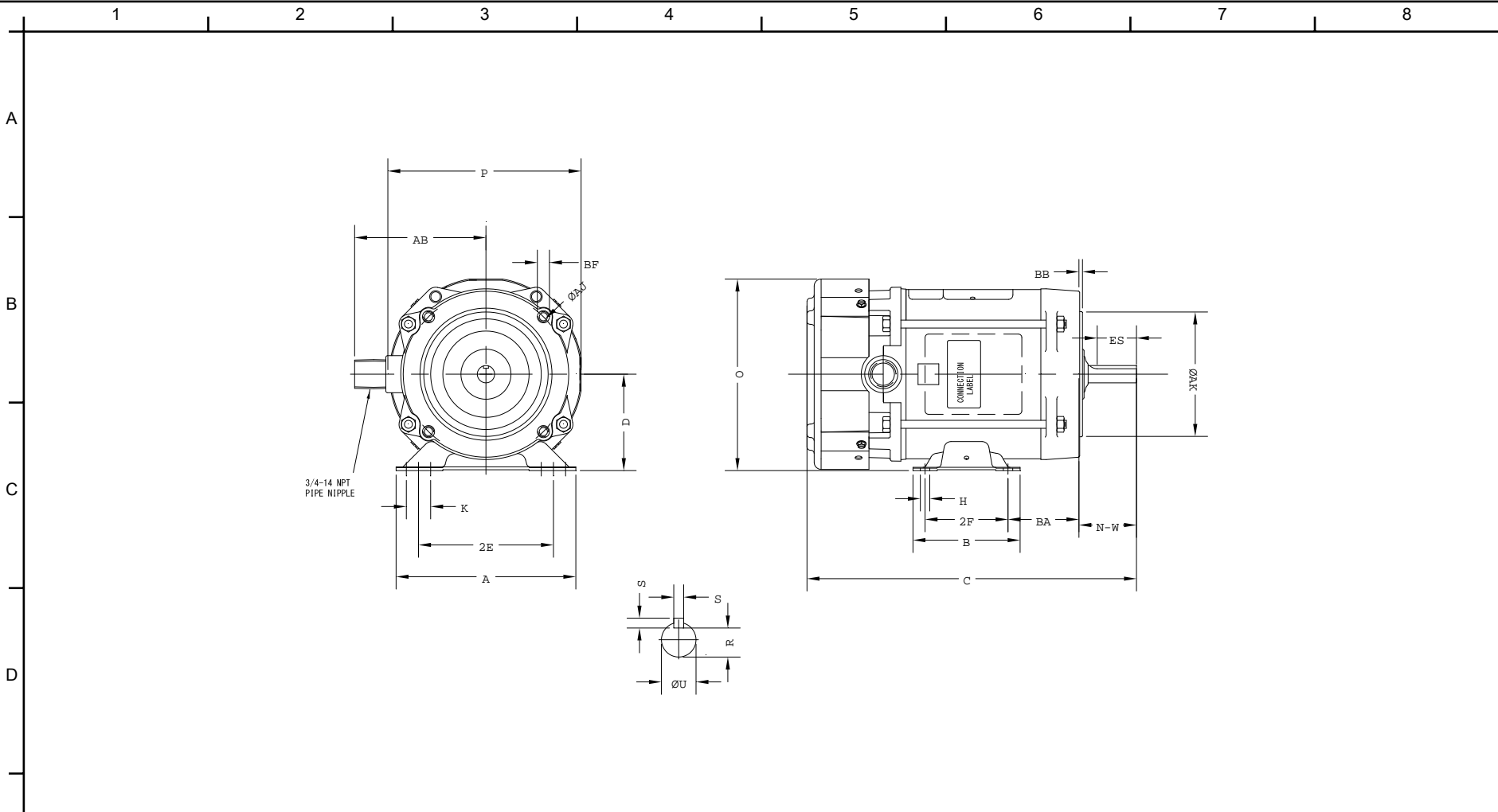
Customer :  
 Product line : Single-Phase: Fractional Explosion Proof Motors

Frame	: 56	Locked rotor current (I <sub>l</sub> /I <sub>n</sub> )	: 6.5
Output	: 1 HP	Duty cycle	: S1
Frequency	: 60 Hz	Service factor	: 1.00
Full load speed	: 3450 rpm	Design	: ---
Voltage	: 115/208-230 V	Locked rotor torque	: 150 %
Rated current	: 10.6/5.30 A	Breakdown torque	: 250 %
Insulation class	: F		

Notes:  
 Downloaded from <http://dealerselectric.com>  
 Generated for Model #00136XS1B56C

Performed by

Checked



Notes: Downloaded from <http://dealerselectric.com>  
 Generated for Model #00136XS1B56C

Performed by:

Checked:

Customer:

Single-Phase: Fractional Explosion Proof Motors

Single-phase induction motor  
 Frame 56 - IP55

12-SEP-2016



2E 4.880	A 6.500	P 6.980	AB 4.500	B 3.880
BA 2.750	U 0.6250	N-W 1.880	ES 1.380	S 0.190
R 0.517	D 3.500	O 6.920	H 0.340	C 13.040
d1 SEM	Flange FC-149	AJ 5.880	AK 4.500	BD 6.000
BF UNC 3/8"x16-2B	BB 0.160	AH 2.060		