



Dealers Industrial Equipment

No.:

Date: 12-SEP-2016

Customer :

TECHNICAL PROPOSAL

Three-phase induction motor - Squirrel cage rotor

Product line : Jet Pump - NEMA 56 : Three-Phase - Threaded - ODP (IP21)

Catalog Number : 00136OS3EJPR56J

List Price : \$287

Notes:

Downloaded from <http://dealerselectric.com>

Generated for Model #00136OS3EJPR56J

Performed by:

Checked:



Dealers Industrial Equipment

No.:

Date: 12-SEP-2016

DATA SHEET Three-phase induction motor - Squirrel cage rotor

Customer :
 Product line : Jet Pump - NEMA 56 : Three-Phase - Threaded - ODP (IP21)

Frame : B56
 Output : 1 HP
 Frequency : 60 Hz
 Poles : 2
 Full load speed : 3470 rpm
 Slip : 3.61 %
 Voltage : 208-230/460 V
 Rated current : 3.20-3.11/1.55 A
 Locked rotor current : 20.2/10.1 A
 Locked rotor current (I_L/I_n) : 6.5
 No-load current : 1.91/0.957 A
 Full load torque : 1.49 lb.ft
 Locked rotor torque : 260 %
 Breakdown torque : 280 %
 Design : A
 Insulation class : B
 Temperature rise : 80 K
 Locked rotor time : 10 s (hot)
 Service factor : 1.40 (1.00 at 208V)
 Duty cycle : S1
 Ambient temperature : -20°C - +40°C
 Altitude : 1000 m
 Degree of Protection : IP21
 Approximate weight : 29 lb
 Moment of inertia : 0.02776 sq.ft.lb
 Noise level : ---

	D.E.	N.D.E.
Bearings	6203 2RS	6202 2RS
Regreasing interval	---	---
Grease amount	---	---

Load	Power factor	Efficiency (%)
100%	0.81	74.0
75%	0.73	72.0
50%	0.62	66.5

Notes:
 Downloaded from <http://dealerselectric.com>
 Generated for Model #00136OS3EJPR56J

Performed by

Checked



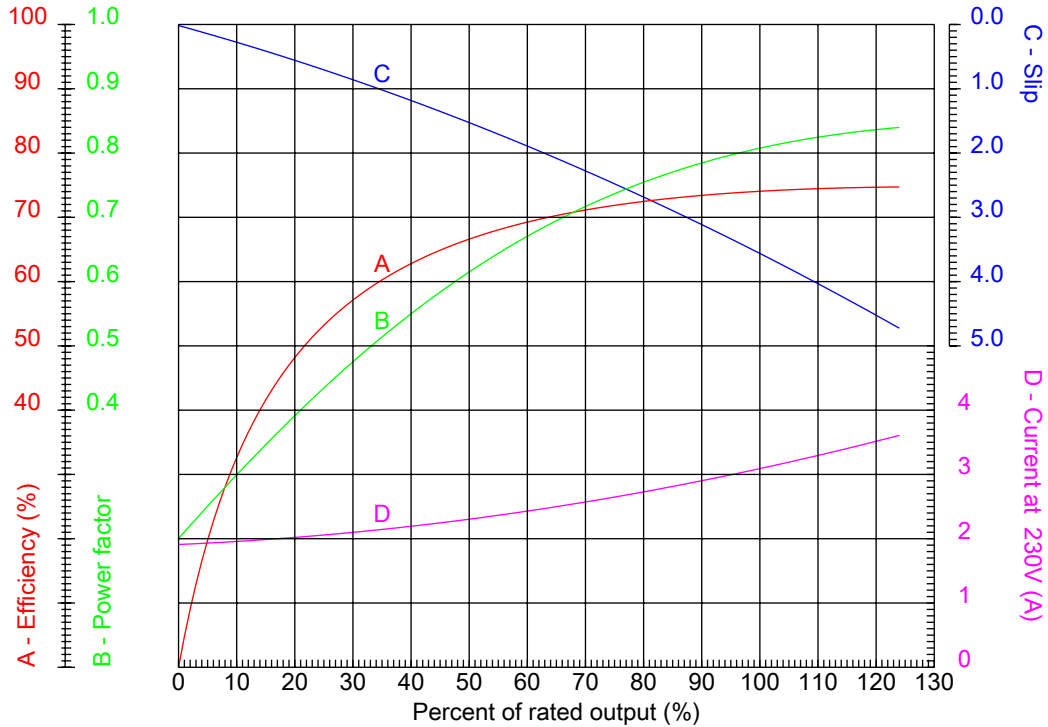
Dealers Industrial Equipment

No.:

Date: 12-SEP-2016

PERFORMANCE CURVES RELATED TO RATED OUTPUT

Three-phase induction motor - Squirrel cage rotor



Customer :
Product line : Jet Pump - NEMA 56 : Three-Phase - Threaded - ODP (IP21)

Frame : B56	Locked rotor current (I _L /I _n) : 6.5
Output : 1 HP	Duty cycle : S1
Frequency : 60 Hz	Service factor : 1.40 (1.00 at 208V)
Full load speed : 3470 rpm	Design : A
Voltage : 208-230/460 V	Locked rotor torque : 260 %
Rated current : 3.20-3.11/1.55 A	Breakdown torque : 280 %
Insulation class : B	

Notes:
Downloaded from <http://dealerselectric.com>
Generated for Model #00136OS3EJPR56J

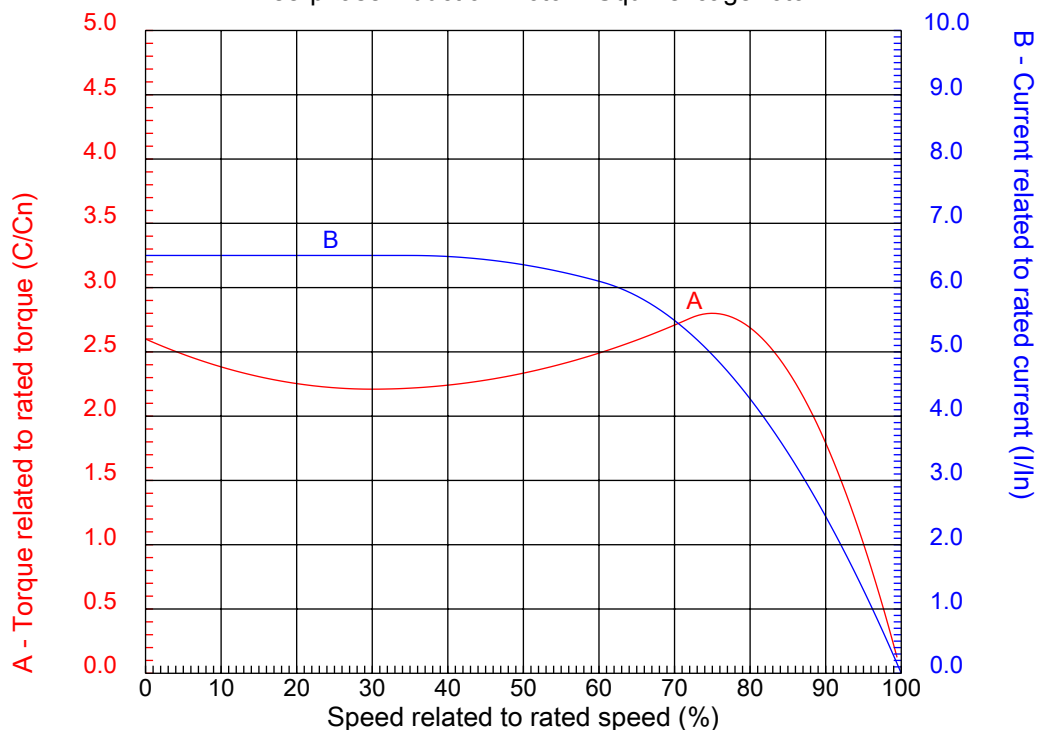
Performed by

Checked



CHARACTERISTIC CURVES RELATED TO SPEED

Three-phase induction motor - Squirrel cage rotor



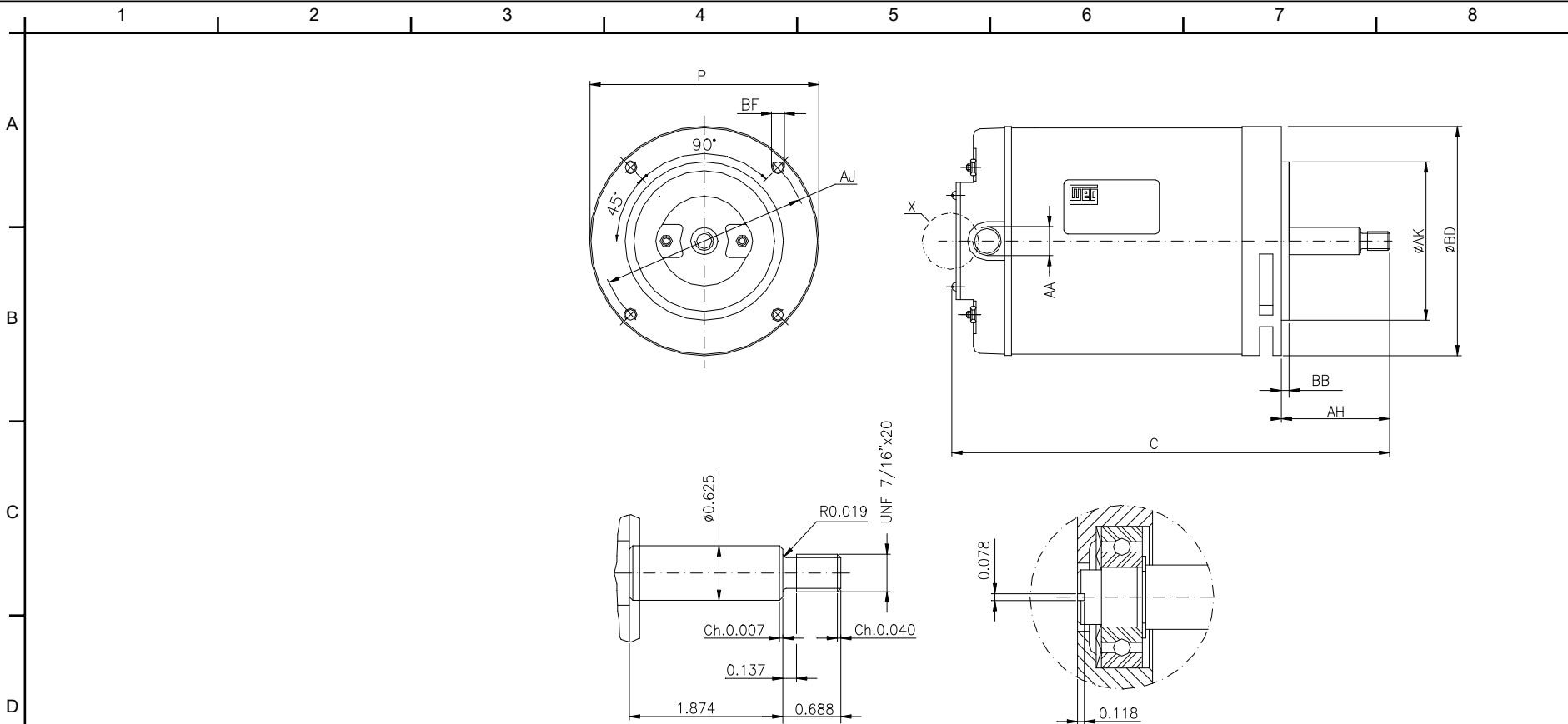
Customer :
Product line : Jet Pump - NEMA 56 : Three-Phase - Threaded - ODP (IP21)

Frame	: B56	Locked rotor current (I _l /I _n)	: 6.5
Output	: 1 HP	Duty cycle	: S1
Frequency	: 60 Hz	Service factor	: 1.40 (1.00 at 208V)
Full load speed	: 3470 rpm	Design	: A
Voltage	: 208-230/460 V	Locked rotor torque	: 260 %
Rated current	: 3.20-3.11/1.55 A	Breakdown torque	: 280 %
Insulation class	: B		

Notes:
Downloaded from <http://dealerselectric.com>
Generated for Model #00136OS3EJPR56J

Performed by

Checked



THREE-PHASE, FORM J, WITH INTERNAL
 THREAD OF 1/4"x28 UNF AT SHAFT-END,
 FOR CLAMPING THE PUMP ROTOR.

DETAIL X

Notes: Downloaded from <http://dealerselectric.com>
 Generated for Model #00136OS3EJPR56J

Performed by:

Checked:

Customer:

Jet Pump - NEMA 56 : Three-Phase - Threaded - ODP (IP21)

C 11.791	P 6.496	AA NPT 1/2"	Flange FC-149	AJ 5.874
AK 4.500	BD 6.535	BF UNC 3/8"x16-2B	BB 0.157	

Three-phase induction motor
 Frame B56 - IP21

12-SEP-2016



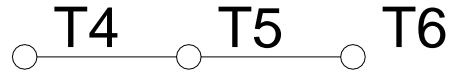
1 2 3 4 5 6 7 8

A

LOW VOLTAGE

HIGH VOLTAGE

B



C

L1 L2 L3

L1 L2 L3



D

E

F

Notes: Downloaded from <http://dealerselectric.com>
 Generated for Model #00136OS3EJPR56J

Performed by:

Checked:

Customer:

Jet Pump - NEMA 56 : Three-Phase - Threaded - ODP (IP21)

Three-phase induction motor
 Frame B56 - IP21

12-SEP-2016

