



Dealers Industrial Equipment

No.:

Date: 12-SEP-2016

Customer :

TECHNICAL PROPOSAL

Three-phase induction motor - Squirrel cage rotor

Product line : Three-Phase : NEMA 56 Frames - ODP

Catalog Number : 00136OS3EB56C

List Price : \$321

Notes:

Downloaded from <http://dealerselectric.com>

Generated for Model #00136OS3EB56C

Performed by:

Checked:



Dealers Industrial Equipment

No.:

Date: 12-SEP-2016

DATA SHEET Three-phase induction motor - Squirrel cage rotor

Customer :
Product line : Three-Phase : NEMA 56 Frames - ODP

Frame : B56
Output : 1 HP
Frequency : 60 Hz
Poles : 2
Full load speed : 3470 rpm
Slip : 3.61 %
Voltage : 208-230/460 V
Rated current : 3.11/1.55 A
Locked rotor current : 20.2/10.1 A
Locked rotor current (I_L/I_n) : 6.5
No-load current : 1.91/0.957 A
Full load torque : 1.49 lb.ft
Locked rotor torque : 260 %
Breakdown torque : 280 %
Design : A
Insulation class : B
Temperature rise : 80 K
Locked rotor time : 10 s (hot)
Service factor : 1.25 (1.00 at 208V)
Duty cycle : S1
Ambient temperature : -20°C - +40°C
Altitude : 1000 m
Degree of Protection : IP21
Approximate weight : 28 lb
Moment of inertia : 0.02753 sq.ft.lb
Noise level : ---

	D.E.	N.D.E.
Bearings	6204 ZZ	6203 ZZ
Regreasing interval	---	---
Grease amount	---	---

Load	Power factor	Efficiency (%)
100%	0.81	74.0
75%	0.73	72.0
50%	0.62	66.5

Notes:
Downloaded from <http://dealerselectric.com>
Generated for Model #00136OS3EB56C

Performed by

Checked



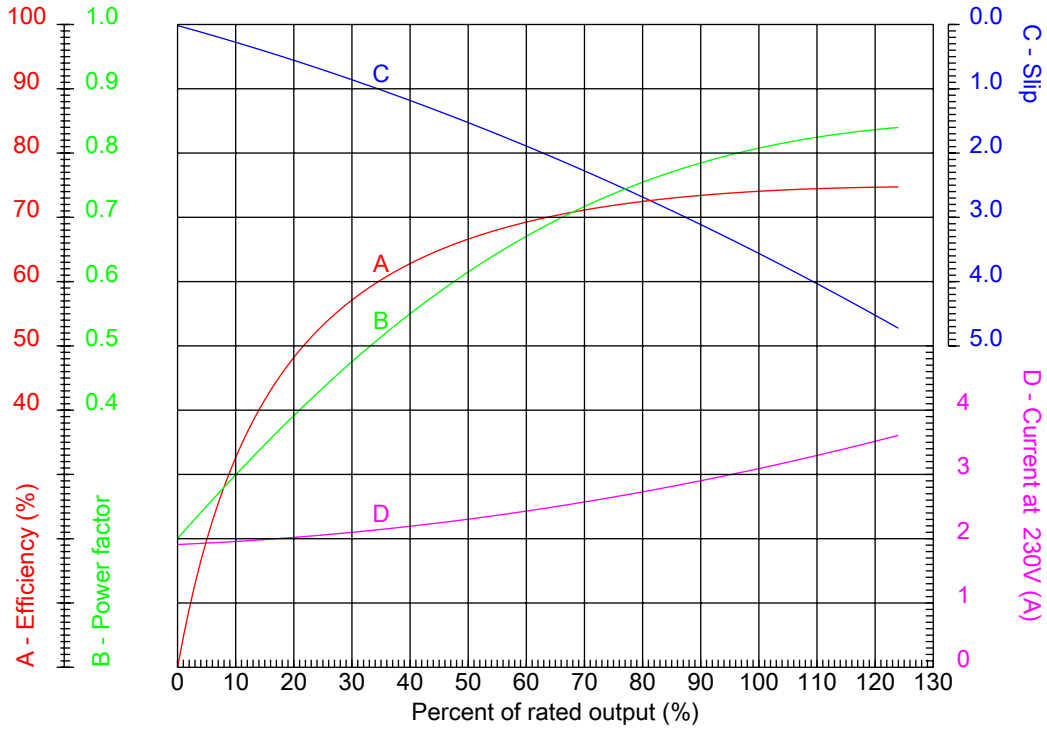
Dealers Industrial Equipment

No.:

Date: 12-SEP-2016

PERFORMANCE CURVES RELATED TO RATED OUTPUT

Three-phase induction motor - Squirrel cage rotor



Customer :
 Product line : Three-Phase : NEMA 56 Frames - ODP

Frame : B56	Locked rotor current (I _L /I _n) : 6.5
Output : 1 HP	Duty cycle : S1
Frequency : 60 Hz	Service factor : 1.25 (1.00 at 208V)
Full load speed : 3470 rpm	Design : A
Voltage : 208-230/460 V	Locked rotor torque : 260 %
Rated current : 3.11/1.55 A	Breakdown torque : 280 %
Insulation class : B	

Notes:
 Downloaded from <http://dealerselectric.com>
 Generated for Model #00136OS3EB56C

Performed by

Checked



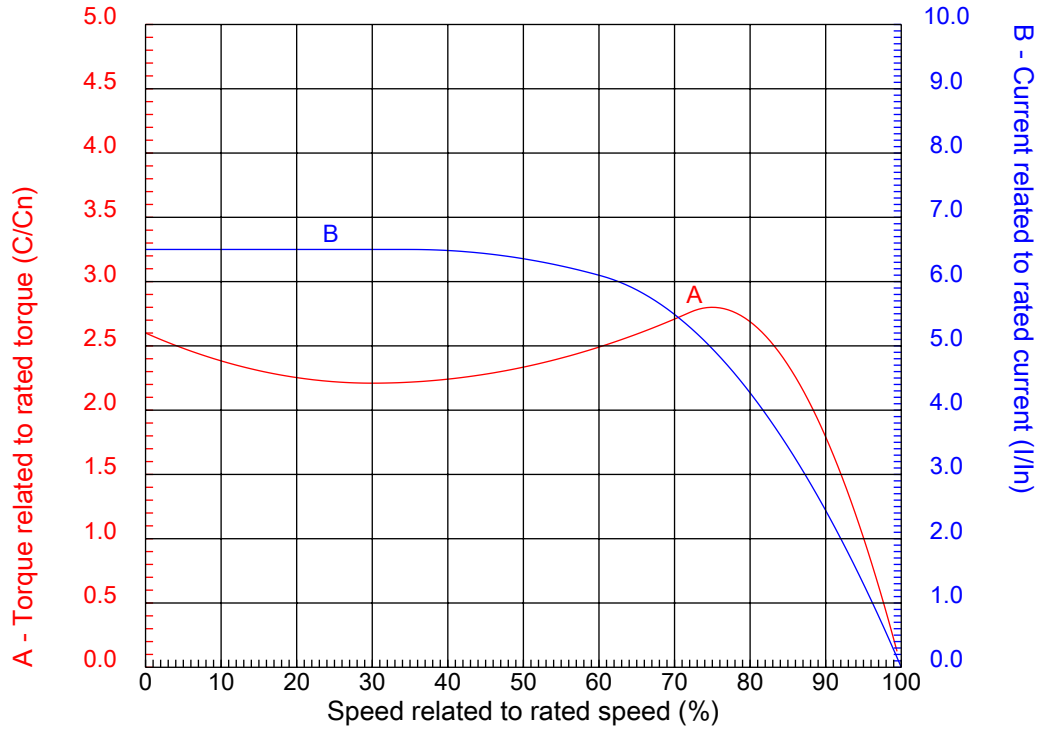
Dealers Industrial Equipment

No.:

Date: 12-SEP-2016

CHARACTERISTIC CURVES RELATED TO SPEED

Three-phase induction motor - Squirrel cage rotor



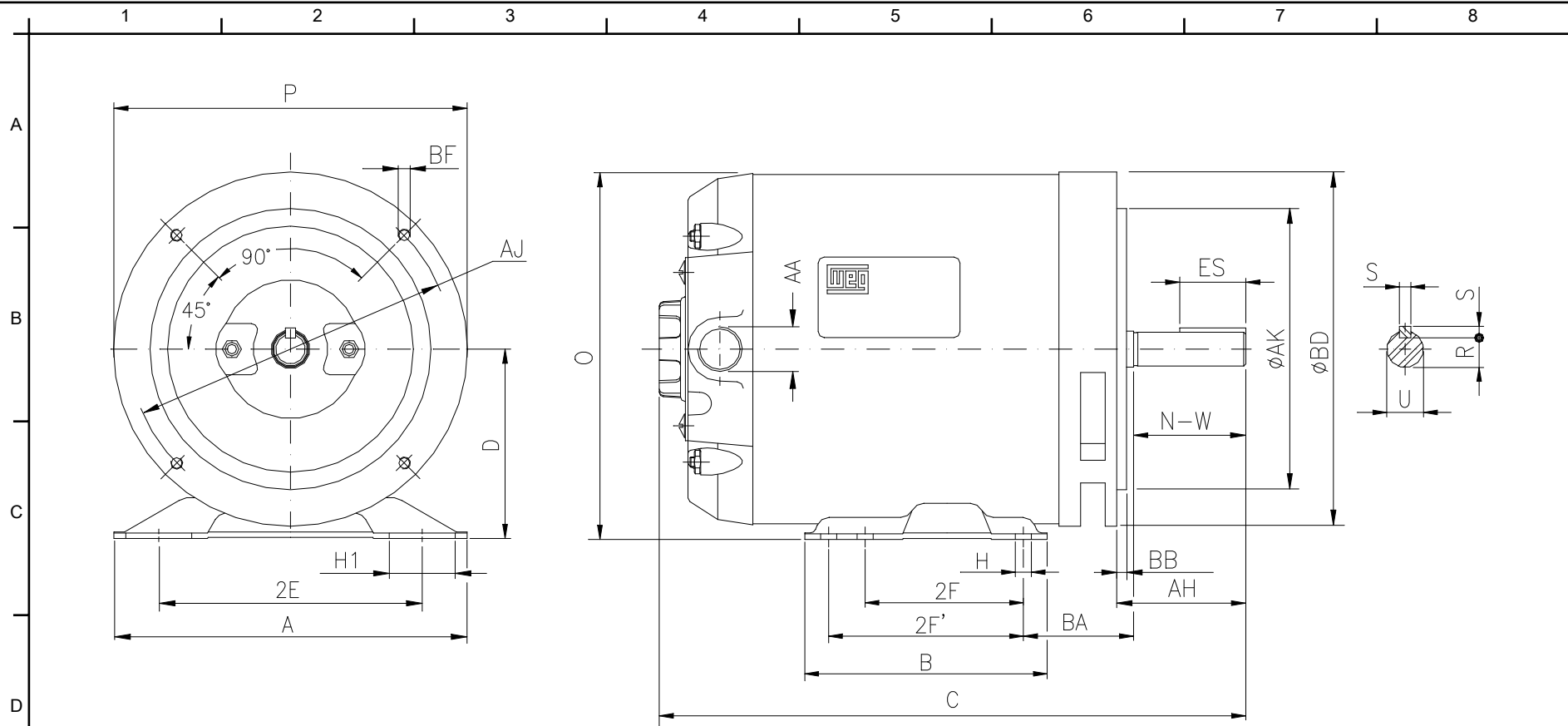
Customer :
Product line : Three-Phase : NEMA 56 Frames - ODP

Frame	: B56	Locked rotor current (I _l /I _n)	: 6.5
Output	: 1 HP	Duty cycle	: S1
Frequency	: 60 Hz	Service factor	: 1.25 (1.00 at 208V)
Full load speed	: 3470 rpm	Design	: A
Voltage	: 208-230/460 V	Locked rotor torque	: 260 %
Rated current	: 3.11/1.55 A	Breakdown torque	: 280 %
Insulation class	: B		

Notes:
Downloaded from <http://dealerselectric.com>
Generated for Model #00136OS3EB56C

Performed by

Checked



Notes: Downloaded from <http://dealerselectric.com>
 Generated for Model #00136OS3EB56C

Performed by:

Checked:

Customer:

2E	H	A	2F	B
4.874	0.342	6.535	3.000	4.016
BA	J	P	ES	S
2.750	1.220	6.457	1.102	0.187
N-W	depth	U	R	d1
1.874	0.187	0.6250	0.517	A 3,15
D	O	C	AA	Flange
3.500	6.732	11.102	NPT 1/2"	FC-149
AJ	AK	BD	BF	BB
5.874	4.500	6.500	UNC 3/8"x16-2B	0.157

Three-Phase : NEMA 56 Frames - ODP

Three-phase induction motor
 Frame B56 - IP21

12-SEP-2016



1 2 3 4 5 6 7 8

A

LOW VOLTAGE

HIGH VOLTAGE

B



C

L1 L2 L3

L1 L2 L3



D

E

F

Notes: Downloaded from <http://dealerselectric.com>
 Generated for Model #00136OS3EB56C

Performed by:

Checked:

Customer:

Three-Phase : NEMA 56 Frames - ODP

Three-phase induction motor
 Frame B56 - IP21

12-SEP-2016

