



Dealers Industrial Equipment

No.:

Date: 12-SEP-2016

Customer :

TECHNICAL PROPOSAL

Single-phase induction motor - Squirrel cage rotor

Product line : Jet Pump - NEMA 56 : Single-Phase - Threaded - ODP (IP21)

Catalog Number : 00136OS1BJP56J

List Price : \$334

Notes:

Downloaded from <http://dealerselectric.com>

Generated for Model #00136OS1BJP56J

Performed by:

Checked:



Dealers Industrial Equipment

No.:

Date: 12-SEP-2016

DATA SHEET Single-phase induction motor - Squirrel cage rotor

Customer :
 Product line : Jet Pump - NEMA 56 : Single-Phase - Threaded - ODP (IP21)

Frame : E56
 Output : 1 HP
 Frequency : 60 Hz
 Poles : 2
 Full load speed : 3520 rpm
 Slip : 2.22 %
 Voltage : 115/208-230 V
 Rated current : 13.6/6.80-6.80 A
 Locked rotor current : 95.2/47.6 A
 Locked rotor current (I_L/I_n) : 7.0
 No-load current : 9.70/4.85 A
 Full load torque : 1.47 lb.ft
 Locked rotor torque : 280 %
 Breakdown torque : 290 %
 Design : ---
 Insulation class : B
 Temperature rise : 80 K
 Locked rotor time : 6 s (hot)
 Service factor : 1.40 (1.00 at 208V)
 Duty cycle : S1
 Ambient temperature : -20°C - +40°C
 Altitude : 1000 m
 Degree of Protection : IP21
 Approximate weight : 35 lb
 Moment of inertia : 0.04153 sq.ft.lb
 Noise level : ---

	D.E.	N.D.E.
Bearings	6203 2RS	6203 2RS
Regreasing interval	---	---
Grease amount	---	---

Load	Power factor	Efficiency (%)
100%	0.71	66.3
75%	0.63	62.1
50%	0.53	54.5

Notes:
 Downloaded from <http://dealerselectric.com>
 Generated for Model #00136OS1BJP56J

Performed by

Checked



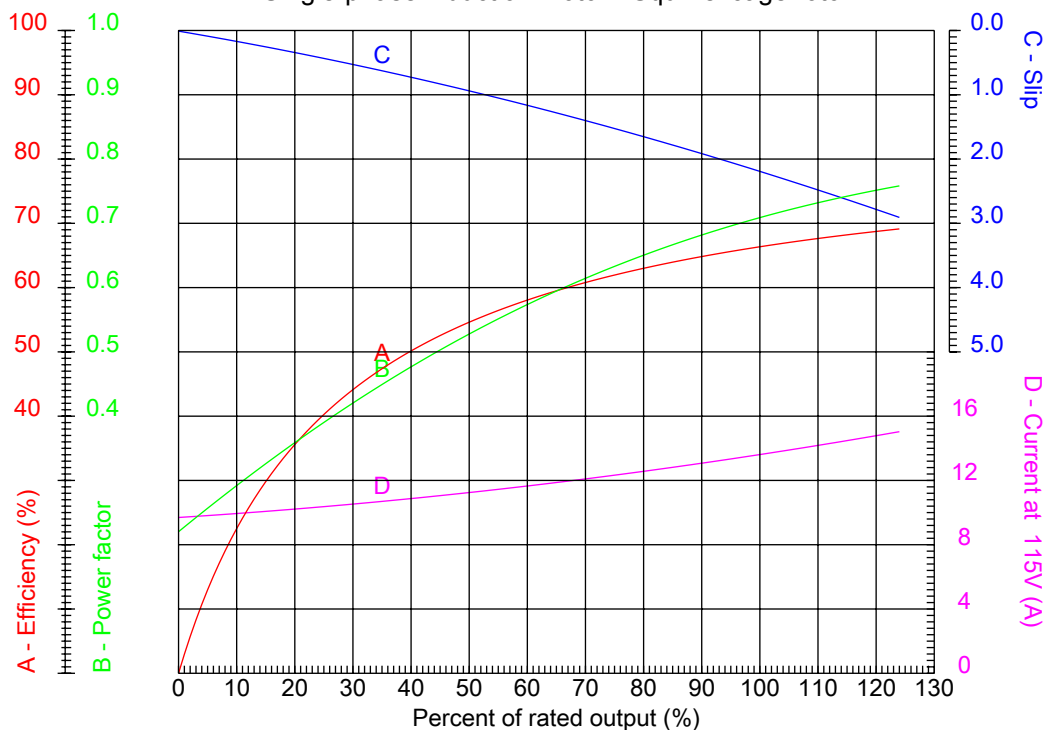
Dealers Industrial Equipment

No.:

Date: 12-SEP-2016

PERFORMANCE CURVES RELATED TO RATED OUTPUT

Single-phase induction motor - Squirrel cage rotor



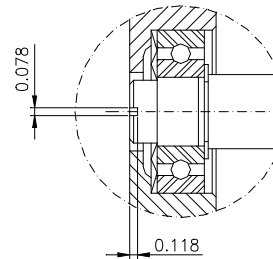
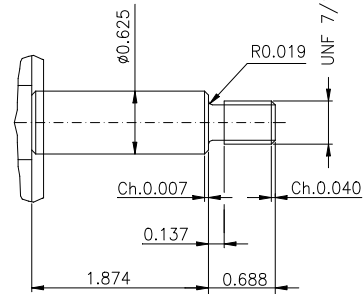
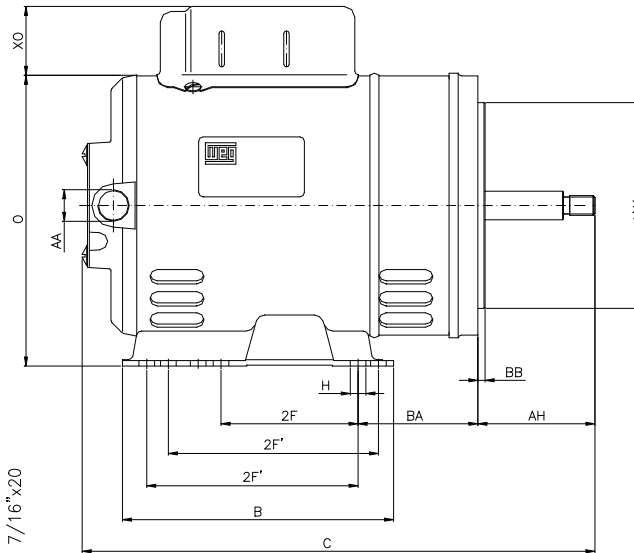
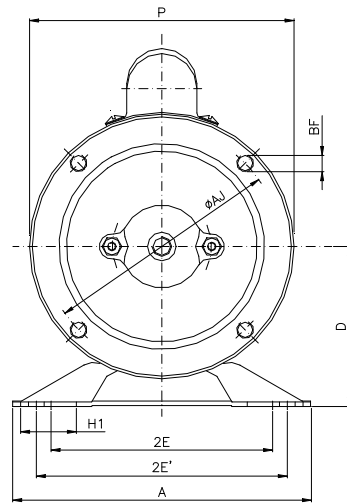
Customer :
 Product line : Jet Pump - NEMA 56 : Single-Phase - Threaded - ODP (IP21)

Frame	: E56	Locked rotor current (I _l /I _n)	: 7.0
Output	: 1 HP	Duty cycle	: S1
Frequency	: 60 Hz	Service factor	: 1.40 (1.00 at 208V)
Full load speed	: 3520 rpm	Design	: ---
Voltage	: 115/208-230 V	Locked rotor torque	: 280 %
Rated current	: 13.6/6.80-6.80 A	Breakdown torque	: 290 %
Insulation class	: B		

Notes:
 Downloaded from <http://dealerselectric.com>
 Generated for Model #00136OS1BJP56J

Performed by

Checked



DETAIL X

Notes: Downloaded from <http://dealerselectric.com>
Generated for Model #00136OS1BJP56J

Performed by:

Checked:

Customer:

Jet Pump - NEMA 56 : Single-Phase - Threaded - ODP (IP21)

Single-phase induction motor
Frame E56 - IP21

12-SEP-2016



2E 4.874	2F 3.000	BA 3.228	A 6.535	B 4.016
P 6.535	D 3.500	C 13.110	O 6.772	N-W 1.874
U 0.625	AA NPT 1/2"	d1 D UNF 1/4"-28	Flange FC-149	AJ 5.874
AK 4.500	BD 6.535	BF UNC 3/8"x16	BB 0.157	AH 2.563