



Dealers Industrial Equipment

No.:

Date: 12-SEP-2016

Customer :

TECHNICAL PROPOSAL

Three-phase induction motor - Squirrel cage rotor

Product line : Three-Phase: W21 IE3 IEC Tru-Metric - TEFC (IP55) Multi-Mounting Aluminum  
Frame  
Catalog Number : 00136ET3WAL80  
List Price : \$444

Notes:  
Downloaded from <http://dealerselectric.com>  
Generated for Model #00136ET3WAL80

Performed by:

Checked:



# Dealers Industrial Equipment

No.:

Date: 12-SEP-2016

## DATA SHEET Three-phase induction motor - Squirrel cage rotor

Customer :  
 Product line : Three-Phase: W21 IE3 IEC Tru-Metric - TEFC (IP55) Multi-Mounting Aluminum Frame

Frame : 80  
 Output : 1.5 HP  
 Frequency : 60 Hz  
 Poles : 2  
 Full load speed : 3450 rpm  
 Slip : 4.17 %  
 Voltage : 460 V  
 Rated current : 2.03 A  
 Locked rotor current : 16.2 A  
 Locked rotor current (I<sub>L</sub>/I<sub>n</sub>) : 8.0  
 No-load current : 1.06 A  
 Full load torque : 2.25 lb.ft  
 Locked rotor torque : 530 %  
 Breakdown torque : 520 %  
 Design : ---  
 Insulation class : F  
 Temperature rise : 80 K  
 Locked rotor time : 27 s (hot)  
 Service factor : 1.25  
 Duty cycle : S1  
 Ambient temperature : -20°C - +40°C  
 Altitude : 1000 m  
 Degree of Protection : IP55  
 Approximate weight : 28 lb  
 Moment of inertia : 0.03560 sq.ft.lb  
 Noise level : 59 dB(A)

	D.E.	N.D.E.	Load	Power factor	Efficiency (%)
Bearings	6204 ZZ	6203 ZZ	100%	0.81	84.0
Regreasing interval	---	---	75%	0.74	81.5
Grease amount	---	---	50%	0.62	78.5

Notes:  
 Downloaded from <http://dealerselectric.com>  
 Generated for Model #00136ET3WAL80

Performed by

Checked



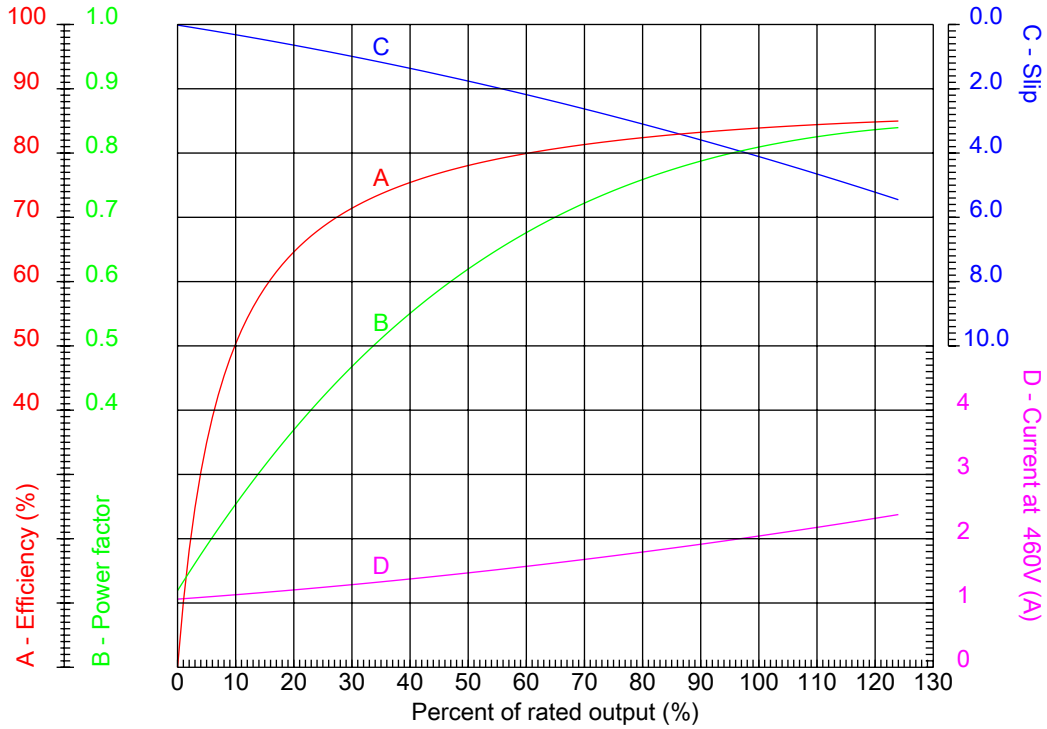
# Dealers Industrial Equipment

No.:

Date: 12-SEP-2016

## PERFORMANCE CURVES RELATED TO RATED OUTPUT

Three-phase induction motor - Squirrel cage rotor



Customer :  
 Product line : Three-Phase: W21 IE3 IEC Tru-Metric - TEFC (IP55) Multi-Mounting Aluminum Frame

Frame : 80	Locked rotor current (I <sub>L</sub> /I <sub>n</sub> ) : 8.0
Output : 1.5 HP	Duty cycle : S1
Frequency : 60 Hz	Service factor : 1.25
Full load speed : 3450 rpm	Design : ---
Voltage : 460 V	Locked rotor torque : 530 %
Rated current : 2.03 A	Breakdown torque : 520 %
Insulation class : F	

Notes:  
 Downloaded from <http://dealerselectric.com>  
 Generated for Model #00136ET3WAL80

Performed by

Checked



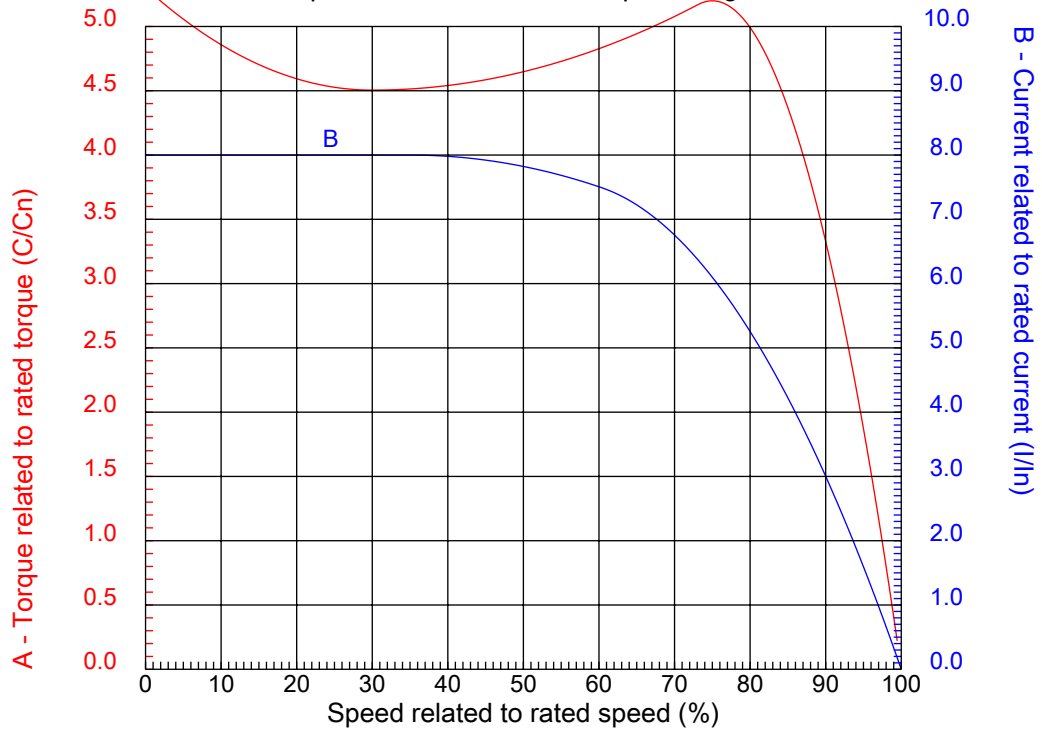
# Dealers Industrial Equipment

No.:

Date: 12-SEP-2016

## CHARACTERISTIC CURVES RELATED TO SPEED

Three-phase induction motor - Squirrel cage rotor



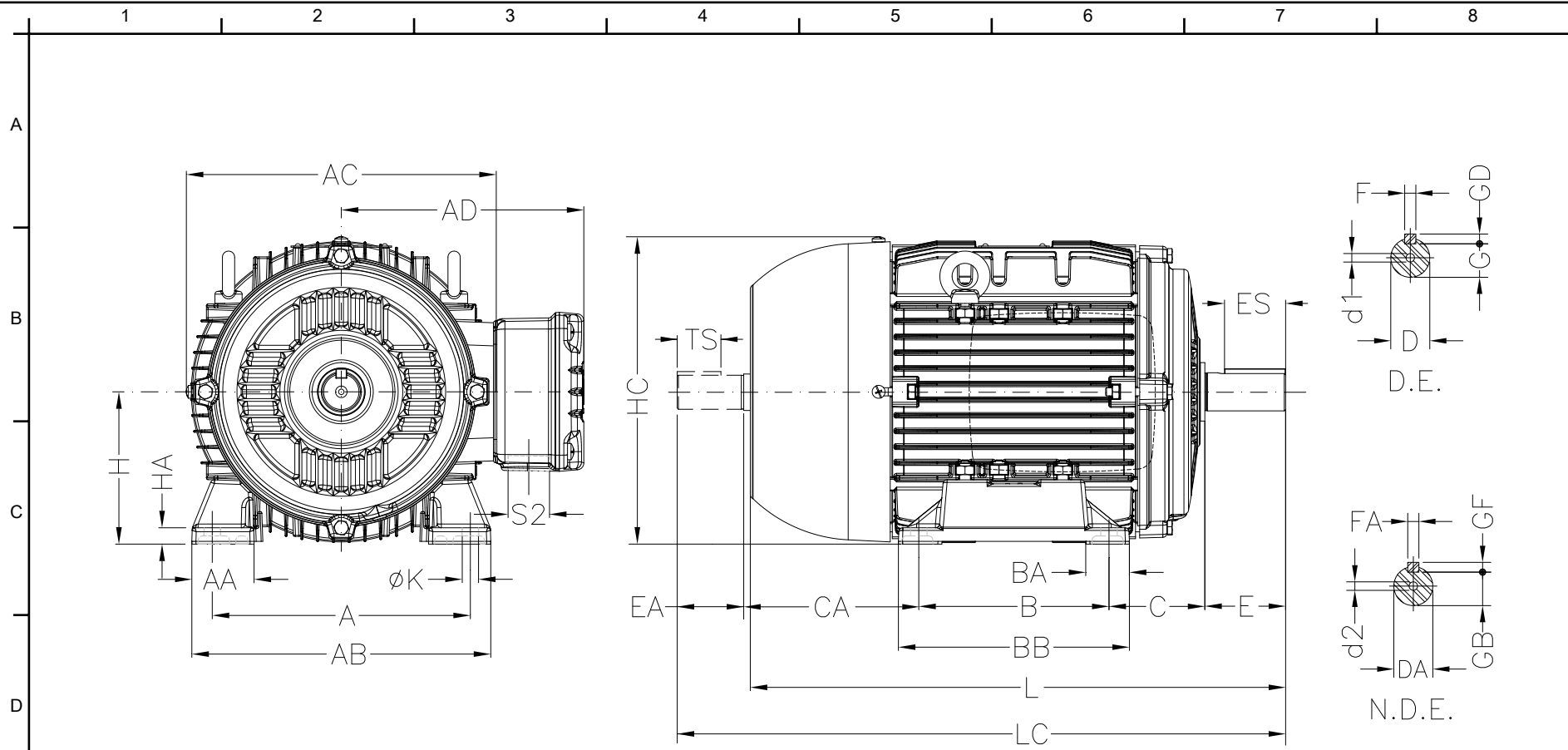
Customer :  
Product line : Three-Phase: W21 IE3 IEC Tru-Metric - TEFC (IP55) Multi-Mounting Aluminum Frame

Frame	: 80	Locked rotor current (I <sub>l</sub> /I <sub>n</sub> )	: 8.0
Output	: 1.5 HP	Duty cycle	: S1
Frequency	: 60 Hz	Service factor	: 1.25
Full load speed	: 3450 rpm	Design	: ---
Voltage	: 460 V	Locked rotor torque	: 530 %
Rated current	: 2.03 A	Breakdown torque	: 520 %
Insulation class	: F		

Notes:  
Downloaded from <http://dealerselectric.com>  
Generated for Model #00136ET3WAL80

Performed by

Checked



Notes: Downloaded from <http://dealerselectric.com>  
 Generated for Model #00136ET3WAL80

A	AA	AB	AC	AD
125	32	155	159	135.5
B	BA	BB	C	CA
100	28	124	50	93
D	E	ES	F	G
19j6	40	28	6	15.5
GD	DA	EA	TS	FA
6	14j6	30	18	5
GB	GF	H	HA	HC
11	5	80	8	157
HD	K	L	LC	S2
210	10	276	313	2xM20x1,5
d1	d2			
DM6	DM4			

Performed by:	
Checked:	
Customer:	
Three-Phase: W21 IE3 IEC Tru-Metric - TEFC (IP55) Multi-Mounting Aluminum	
Three-phase induction motor Frame 80 - IP55	12-SEP-2016

