



Dealers Industrial Equipment

No.:

Date: 12-SEP-2016

Customer :

TECHNICAL PROPOSAL

Three-phase induction motor - Squirrel cage rotor

Product line : Three-Phase: W01 (Rolled Steel) - TEFC - Premium Efficiency (DOE)

Catalog Number : 00136ET3E56CFL-S

List Price : \$420

Notes:

Downloaded from <http://dealerselectric.com>

Generated for Model #00136ET3E56CFL-S

Performed by:

Checked:



Dealers Industrial Equipment

No.:

Date: 12-SEP-2016

DATA SHEET Three-phase induction motor - Squirrel cage rotor

Customer :
 Product line : Three-Phase: W01 (Rolled Steel) - TEFC - Premium Efficiency (DOE)

Frame : W56
 Output : 1 HP
 Frequency : 60 Hz
 Poles : 2
 Full load speed : 3435 rpm
 Slip : 4.58 %
 Voltage : 208-230/460 V
 Rated current : 3.32-3.00/1.50 A
 Locked rotor current : 26.4/13.2 A
 Locked rotor current (I_L/I_n) : 8.8
 No-load current : 1.60/0.798 A
 Full load torque : 1.51 lb.ft
 Locked rotor torque : 360 %
 Breakdown torque : 380 %
 Design : B
 Insulation class : F
 Temperature rise : 80 K
 Locked rotor time : 10 s (hot)
 Service factor : 1.15 (1.00 at 208V)
 Duty cycle : S1
 Ambient temperature : -20°C - +40°C
 Altitude : 1000 m
 Degree of Protection : IP55
 Approximate weight : 21 lb
 Moment of inertia : 0.02539 sq.ft.lb
 Noise level : 65 dB(A)

	D.E.	N.D.E.
Bearings	6203 ZZ	6202 ZZ
Regreasing interval	---	---
Grease amount	---	---

Load	Power factor	Efficiency (%)
100%	0.80	78.5
75%	0.75	77.0
50%	0.63	74.0

Notes:
 Downloaded from <http://dealerselectric.com>
 Generated for Model #00136ET3E56CFL-S

Performed by

Checked



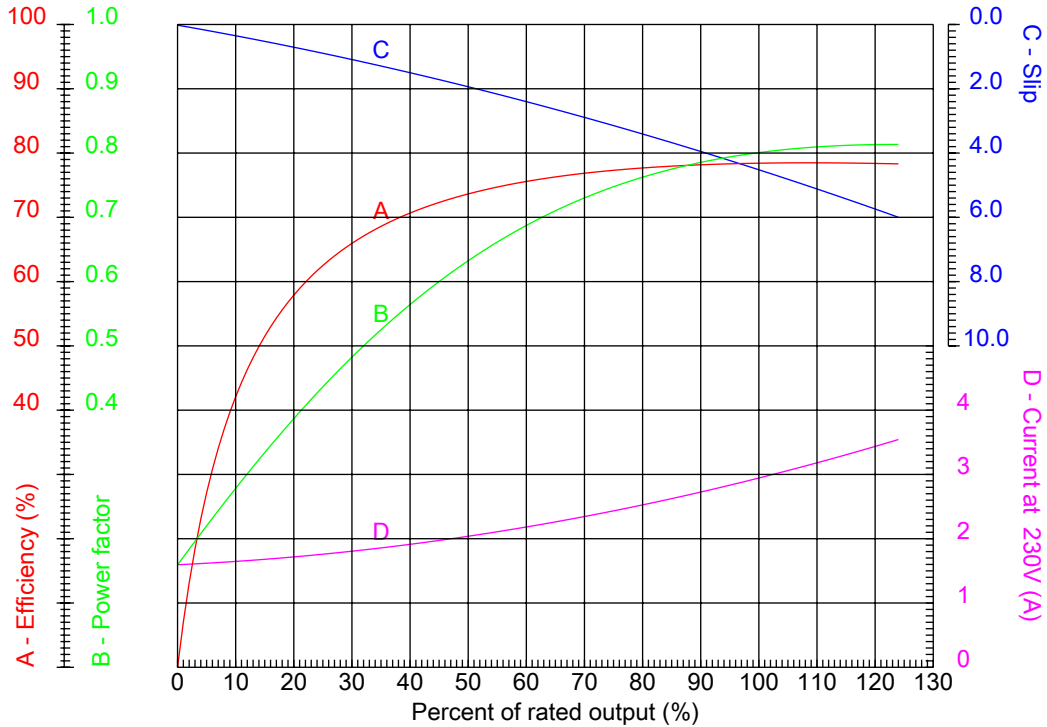
Dealers Industrial Equipment

No.:

Date: 12-SEP-2016

PERFORMANCE CURVES RELATED TO RATED OUTPUT

Three-phase induction motor - Squirrel cage rotor



Customer :
Product line : Three-Phase: W01 (Rolled Steel) - TEFC - Premium Efficiency (DOE)

Frame : W56	Locked rotor current (I _l /I _n) : 8.8
Output : 1 HP	Duty cycle : S1
Frequency : 60 Hz	Service factor : 1.15 (1.00 at 208V)
Full load speed : 3435 rpm	Design : B
Voltage : 208-230/460 V	Locked rotor torque : 360 %
Rated current : 3.32-3.00/1.50 A	Breakdown torque : 380 %
Insulation class : F	

Notes:
Downloaded from <http://dealerselectric.com>
Generated for Model #00136ET3E56CFL-S

Performed by

Checked



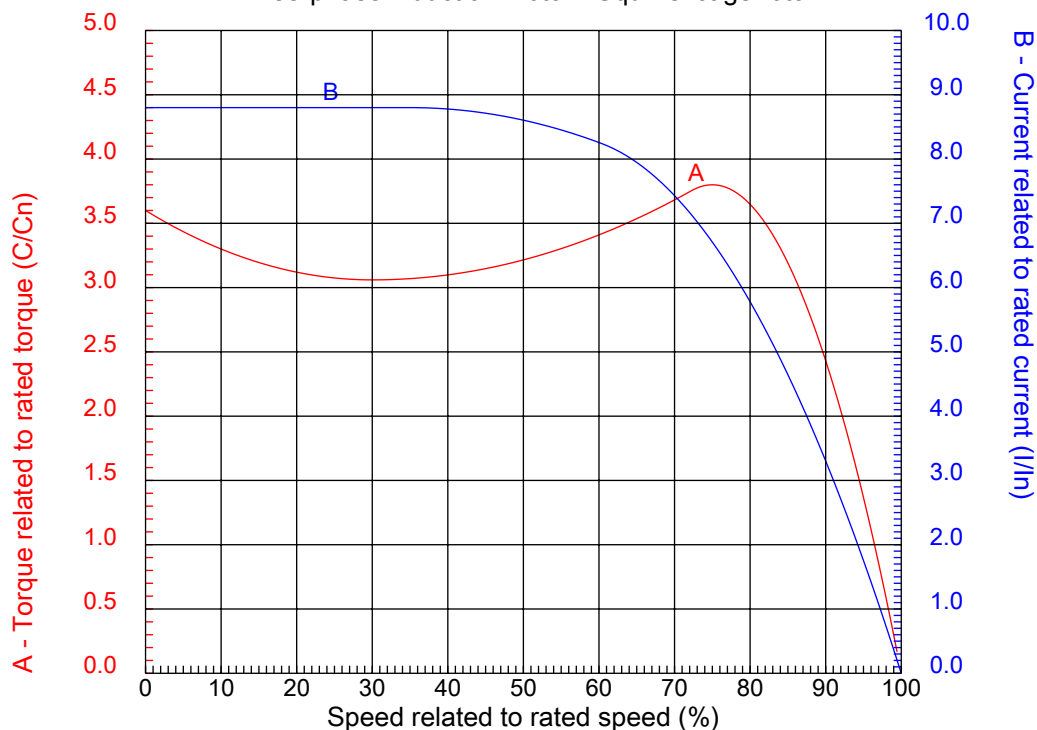
Dealers Industrial Equipment

No.:

Date: 12-SEP-2016

CHARACTERISTIC CURVES RELATED TO SPEED

Three-phase induction motor - Squirrel cage rotor



Customer :
Product line : Three-Phase: W01 (Rolled Steel) - TEFC - Premium Efficiency (DOE)

Frame	: W56	Locked rotor current (I _l /I _n)	: 8.8
Output	: 1 HP	Duty cycle	: S1
Frequency	: 60 Hz	Service factor	: 1.15 (1.00 at 208V)
Full load speed	: 3435 rpm	Design	: B
Voltage	: 208-230/460 V	Locked rotor torque	: 360 %
Rated current	: 3.32-3.00/1.50 A	Breakdown torque	: 380 %
Insulation class	: F		

Notes:
Downloaded from <http://dealerselectric.com>
Generated for Model #00136ET3E56CFL-S

Performed by

Checked

1 2 3 4 5 6 7 8

A

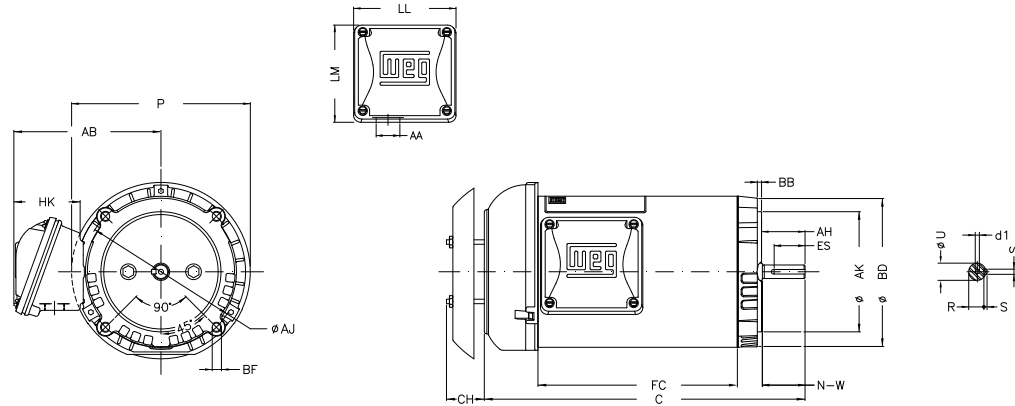
B

C

D

E

F



Notes: Downloaded from <http://dealerselectric.com>
Generated for Model #00136ET3E56CFL-S

Performed by:

Checked:

Customer:

Three-Phase: W01 (Rolled Steel) - TEFC - Premium Efficiency (DOE)

Three-phase induction motor
Frame W56 - IP55

12-SEP-2016



P	AB	HK	FC	C
6.693	5.520	2.650	6.299	11.106
N-W	ES	d1	S	U
1.874	1.417	A 3.15	0.187	0.625
AA	depth	R	LL	LM
0.881"	0.187	0.517	3.835	3.697
Flange	AJ	AK	BD	BF
FC-149	5.874	4.500	6.470	UNC 3/8"x16-2B
BB	AH			
0.157	2.063			