



Dealers Industrial Equipment

No.:

Date: 12-SEP-2016

Customer :

TECHNICAL PROPOSAL

Three-phase induction motor - Squirrel cage rotor

Product line : Jet Pump - NEMA 56 : Three-Phase - Threaded - TEFC (IP55)

Catalog Number : 00136ES3EJPR56J

List Price : \$346

Notes:

Downloaded from <http://dealerselectric.com>

Generated for Model #00136ES3EJPR56J

Performed by:

Checked:



# Dealers Industrial Equipment

No.:

Date: 12-SEP-2016

## DATA SHEET Three-phase induction motor - Squirrel cage rotor

Customer :  
 Product line : Jet Pump - NEMA 56 : Three-Phase - Threaded - TEFC (IP55)

Frame : B56J  
 Output : 1 HP  
 Frequency : 60 Hz  
 Poles : 2  
 Full load speed : 3470 rpm  
 Slip : 3.61 %  
 Voltage : 208-230/460 V  
 Rated current : 3.00-2.90/1.45 A  
 Locked rotor current : 25.5/12.8 A  
 Locked rotor current (I<sub>L</sub>/I<sub>n</sub>) : 8.8  
 No-load current : 1.60/0.800 A  
 Full load torque : 1.49 lb.ft  
 Locked rotor torque : 410 %  
 Breakdown torque : 370 %  
 Design : A  
 Insulation class : F  
 Temperature rise : 80 K  
 Locked rotor time : 10 s (hot)  
 Service factor : 1.15 (1.00 at 208V)  
 Duty cycle : S1  
 Ambient temperature : -20°C - +40°C  
 Altitude : 1000 m  
 Degree of Protection : IP55  
 Approximate weight : 29 lb  
 Moment of inertia : 0.04319 sq.ft.lb  
 Noise level : ---

|                     | D.E.     | N.D.E.   |
|---------------------|----------|----------|
| Bearings            | 6203 2RS | 6202 2RS |
| Regreasing interval | ---      | ---      |
| Grease amount       | ---      | ---      |

| Load | Power factor | Efficiency (%) |
|------|--------------|----------------|
| 100% | 0.83         | 77.5           |
| 75%  | 0.77         | 75.0           |
| 50%  | 0.66         | 70.0           |

Notes:  
 Downloaded from <http://dealerselectric.com>  
 Generated for Model #00136ES3EJPR56J

Performed by

Checked



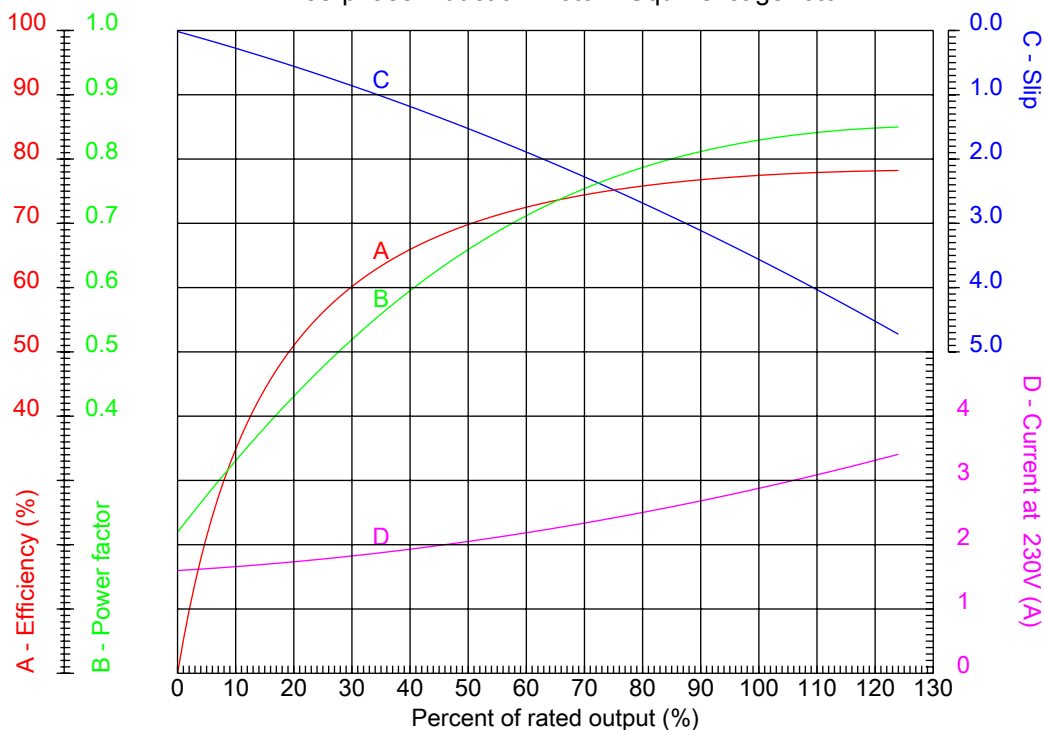
# Dealers Industrial Equipment

No.:

Date: 12-SEP-2016

## PERFORMANCE CURVES RELATED TO RATED OUTPUT

Three-phase induction motor - Squirrel cage rotor



Customer :  
 Product line : Jet Pump - NEMA 56 : Three-Phase - Threaded - TEFC (IP55)

|                  |                    |  |                       |
|------------------|--------------------|--|-----------------------|
| Frame            | : B56J             | Locked rotor current (I <sub>l</sub> /I <sub>n</sub> ) | : 8.8                 |
| Output           | : 1 HP             | Duty cycle   | : S1                  |
| Frequency        | : 60 Hz            | Service factor   | : 1.15 (1.00 at 208V) |
| Full load speed  | : 3470 rpm         | Design   | : A                   |
| Voltage          | : 208-230/460 V    | Locked rotor torque                                    | : 410 %               |
| Rated current    | : 3.00-2.90/1.45 A | Breakdown torque                                       | : 370 %               |
| Insulation class | : F                |  |                       |

Notes:  
 Downloaded from <http://dealerselectric.com>  
 Generated for Model #00136ES3EJPR56J

Performed by

Checked



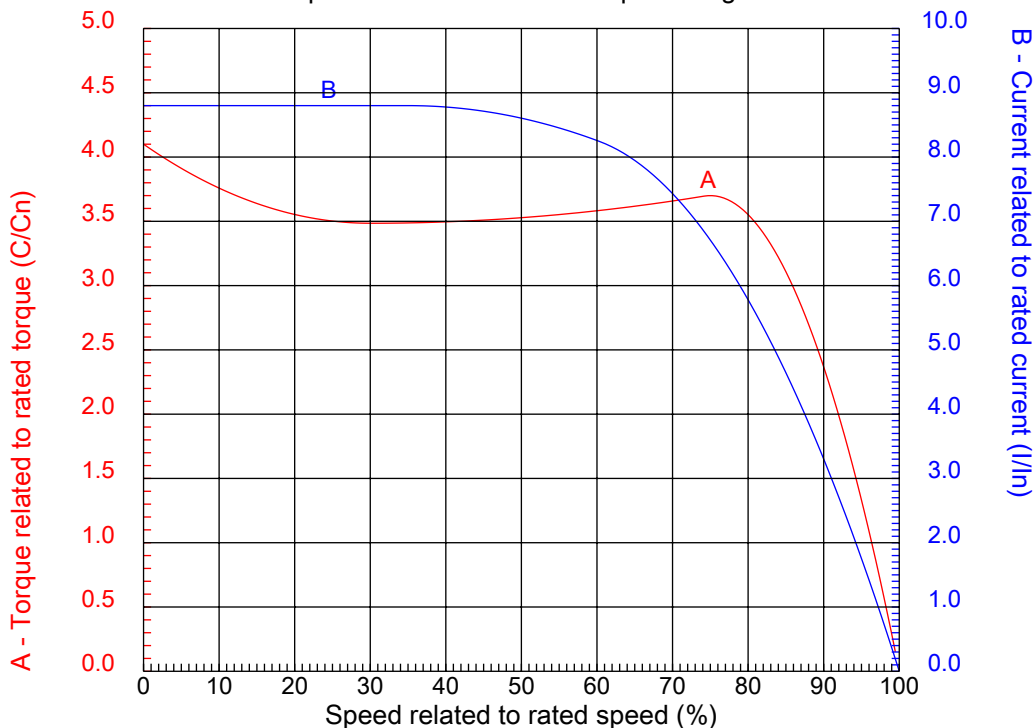
# Dealers Industrial Equipment

No.:

Date: 12-SEP-2016

## CHARACTERISTIC CURVES RELATED TO SPEED

Three-phase induction motor - Squirrel cage rotor



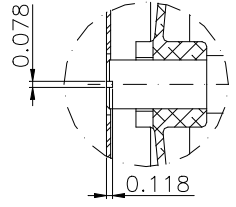
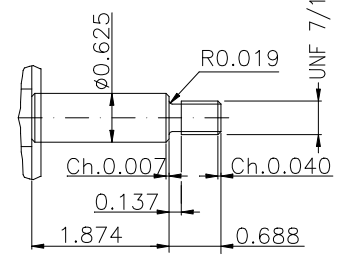
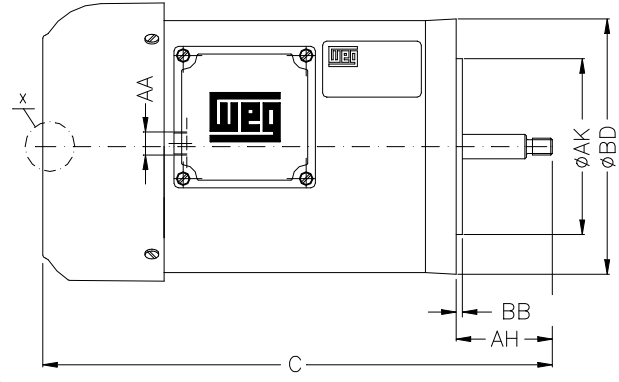
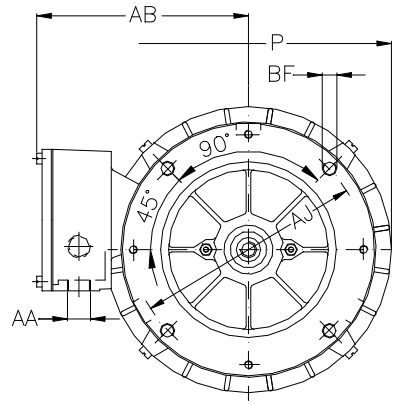
Customer :  
Product line : Jet Pump - NEMA 56 : Three-Phase - Threaded - TEFC (IP55)

|                  |                    |  |                       |
|------------------|--------------------|--|-----------------------|
| Frame            | : B56J             | Locked rotor current (I <sub>l</sub> /I <sub>n</sub> ) | : 8.8                 |
| Output           | : 1 HP             | Duty cycle   | : S1                  |
| Frequency        | : 60 Hz            | Service factor   | : 1.15 (1.00 at 208V) |
| Full load speed  | : 3470 rpm         | Design   | : A                   |
| Voltage          | : 208-230/460 V    | Locked rotor torque                                    | : 410 %               |
| Rated current    | : 3.00-2.90/1.45 A | Breakdown torque                                       | : 370 %               |
| Insulation class | : F                |  |                       |

Notes:  
Downloaded from <http://dealerselectric.com>  
Generated for Model #00136ES3EJPR56J

Performed by

Checked



THREE-PHASE, FORM J, WITH INTERNAL  
 THREAD OF 1/4"x28 UNF AT SHAFT-END,  
 FOR CLAMPING THE PUMP ROTOR.

DETAIL X

Notes: Downloaded from <http://dealerselectric.com>  
 Generated for Model #00136ES3EJPR56J

Performed by:

Checked:

Customer:

Jet Pump - NEMA 56 : Three-Phase - Threaded - TEFC (IP55)

|                |        |       |        |       |
|----------------|--------|-------|--------|-------|
| C              | P      | N-W   | U      | AB    |
| 11.614         | 7.323  | 1.874 | 0.6250 | 5.433 |
| AA             | Flange | AJ    | AK     | BD    |
| NPT 1/2"       | FC-149 | 5.874 | 4.500  | 6.535 |
| BF             | BB     | AH    |        |       |
| UNC 3/8"x16-2B | 0.157  | 2.563 |        |       |

Three-phase induction motor  
 Frame B56J - IP55

12-SEP-2016



1 2 3 4 5 6 7 8

A

### LOW VOLTAGE

### HIGH VOLTAGE

B



C



D

E

F

|  |             |  |
|--|-------------|--|
| Notes: Downloaded from <a href="http://dealerselectric.com">http://dealerselectric.com</a><br>Generated for Model #00136ES3EJPR56J |             |  |
| Performed by:  |             |  |
| Checked:   |             |  |
| Customer:  |             |  |
| Jet Pump - NEMA 56 : Three-Phase - Threaded - TEFC (IP55)  |             |  |
| Three-phase induction motor<br>Frame B56J - IP55   | 12-SEP-2016 |  |