



Dealers Industrial Equipment

No.:

Date: 12-SEP-2016

Customer :

TECHNICAL PROPOSAL

Three-phase induction motor - Squirrel cage rotor

Product line : Jet Pump - NEMA 56 : Three-Phase - Threaded - TEFC (IP55)

Catalog Number : 00136ES3EJP56J

List Price : \$344

Notes:

Downloaded from <http://dealerselectric.com>

Generated for Model #00136ES3EJP56J

Performed by:

Checked:



# Dealers Industrial Equipment

No.:

Date: 12-SEP-2016

## DATA SHEET Three-phase induction motor - Squirrel cage rotor

Customer :  
 Product line : Jet Pump - NEMA 56 : Three-Phase - Threaded - TEFC (IP55)

Frame : B56J  
 Output : 1 HP  
 Frequency : 60 Hz  
 Poles : 2  
 Full load speed : 3470 rpm  
 Slip : 3.61 %  
 Voltage : 208-230/460 V  
 Rated current : 3.00-2.90/1.45 A  
 Locked rotor current : 25.5/12.8 A  
 Locked rotor current (I<sub>L</sub>/I<sub>n</sub>) : 8.8  
 No-load current : 1.60/0.800 A  
 Full load torque : 1.49 lb.ft  
 Locked rotor torque : 410 %  
 Breakdown torque : 370 %  
 Design : A  
 Insulation class : F  
 Temperature rise : 80 K  
 Locked rotor time : 10 s (hot)  
 Service factor : 1.15 (1.00 at 208V)  
 Duty cycle : S1  
 Ambient temperature : -20°C - +40°C  
 Altitude : 1000 m  
 Degree of Protection : IP55  
 Approximate weight : 29 lb  
 Moment of inertia : 0.04319 sq.ft.lb  
 Noise level : ---

	D.E.	N.D.E.
Bearings	6203 2RS	6202 2RS
Regreasing interval	---	---
Grease amount	---	---

Load	Power factor	Efficiency (%)
100%	0.83	77.5
75%	0.77	75.0
50%	0.66	70.0

Notes:  
 Downloaded from <http://dealerselectric.com>  
 Generated for Model #00136ES3EJP56J

Performed by

Checked



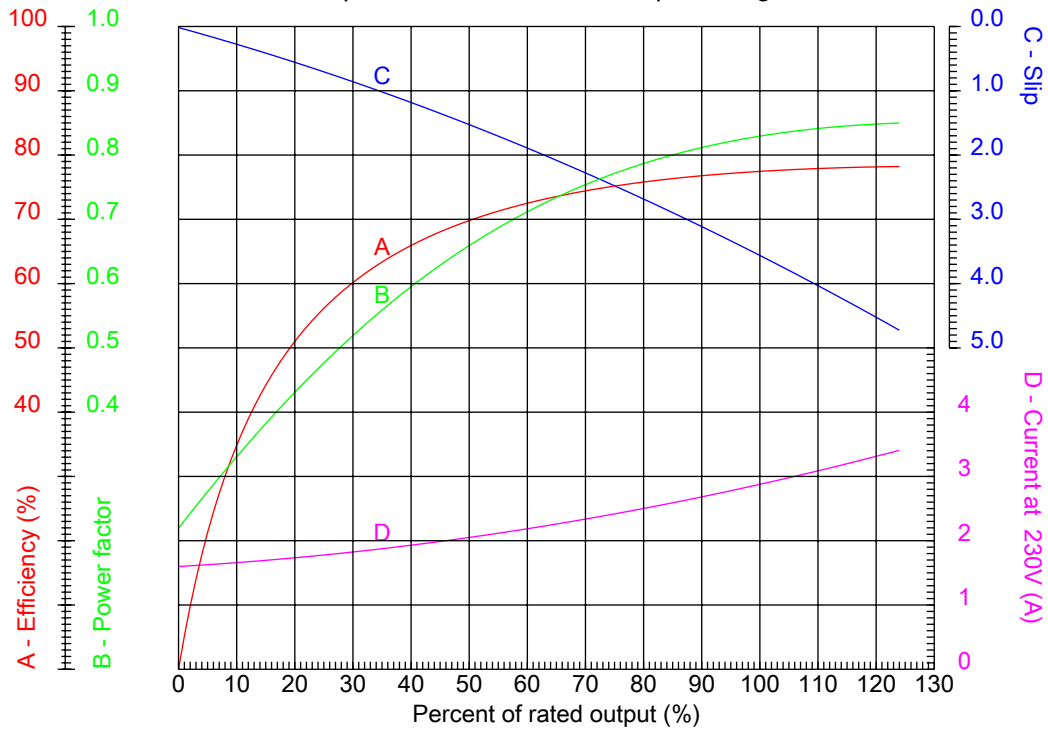
# Dealers Industrial Equipment

No.:

Date: 12-SEP-2016

## PERFORMANCE CURVES RELATED TO RATED OUTPUT

Three-phase induction motor - Squirrel cage rotor



Customer :  
Product line : Jet Pump - NEMA 56 : Three-Phase - Threaded - TEFC (IP55)

Frame : B56J	Locked rotor current (I <sub>L</sub> /I <sub>n</sub> ) : 8.8
Output : 1 HP	Duty cycle : S1
Frequency : 60 Hz	Service factor : 1.15 (1.00 at 208V)
Full load speed : 3470 rpm	Design : A
Voltage : 208-230/460 V	Locked rotor torque : 410 %
Rated current : 3.00-2.90/1.45 A	Breakdown torque : 370 %
Insulation class : F	

Notes:  
Downloaded from <http://dealerselectric.com>  
Generated for Model #00136ES3EJP56J

Performed by

Checked



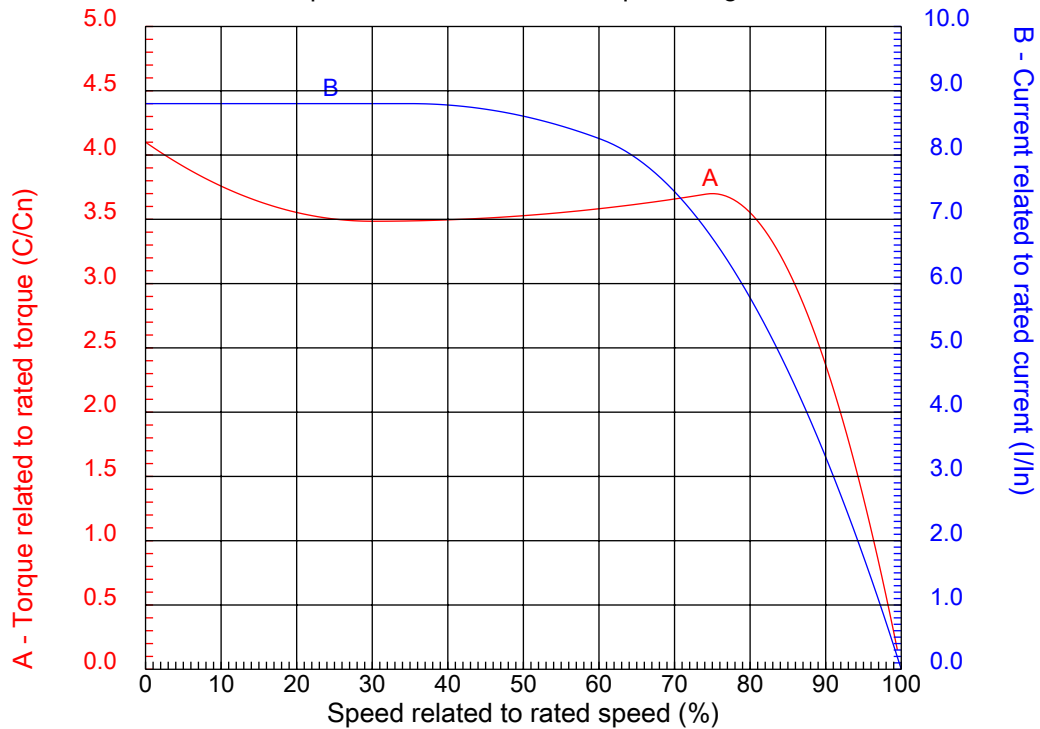
# Dealers Industrial Equipment

No.:

Date: 12-SEP-2016

## CHARACTERISTIC CURVES RELATED TO SPEED

Three-phase induction motor - Squirrel cage rotor



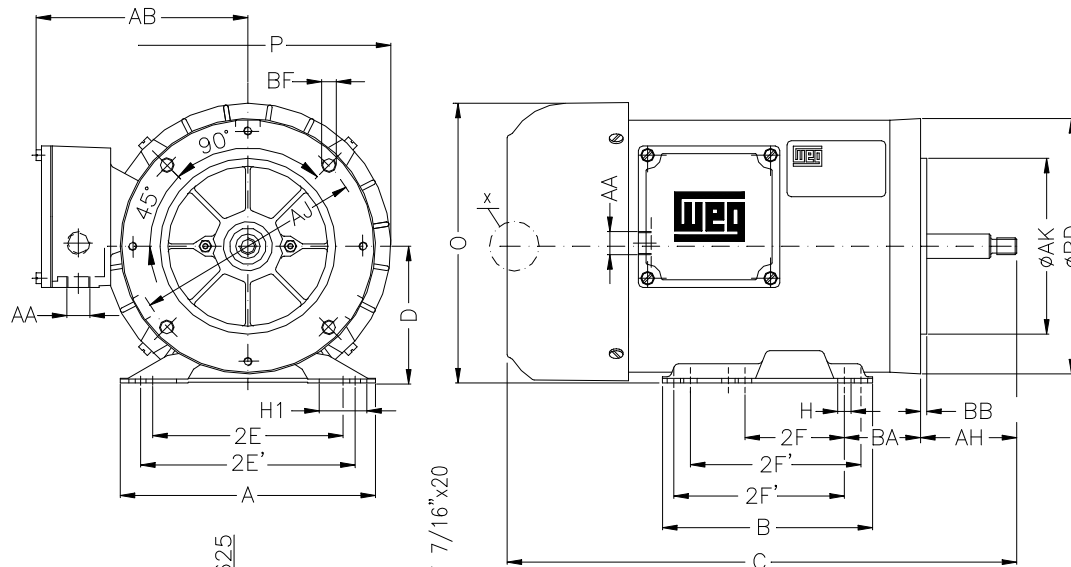
Customer :  
Product line : Jet Pump - NEMA 56 : Three-Phase - Threaded - TEFC (IP55)

Frame	: B56J	Locked rotor current (I <sub>l</sub> /I <sub>n</sub> )	: 8.8
Output	: 1 HP	Duty cycle	: S1
Frequency	: 60 Hz	Service factor	: 1.15 (1.00 at 208V)
Full load speed	: 3470 rpm	Design	: A
Voltage	: 208-230/460 V	Locked rotor torque	: 410 %
Rated current	: 3.00-2.90/1.45 A	Breakdown torque	: 370 %
Insulation class	: F		

Notes:  
Downloaded from <http://dealerselectric.com>  
Generated for Model #00136ES3EJP56J

Performed by

Checked



THREE-PHASE, FORM J, WITH INTERNAL  
 THREAD OF 1/4"x28 UNF AT SHAFT-END,  
 FOR CLAMPING THE PUMP ROTOR.

DETAIL X

Notes: Downloaded from <http://dealerselectric.com>  
 Generated for Model #00136ES3EJP56J

Performed by:

Checked:

Customer:

Jet Pump - NEMA 56 : Three-Phase - Threaded - TEFC (IP55)

Three-phase induction motor  
 Frame B56J - IP55

12-SEP-2016



	1	2	3	4	5	6	7	8
A								
B								
C								
D								
E								
F	2E 4.874	2F 3.000	H 0.342	BA 2.559	A 6.535			
	B 4.016	C 11.614	D 3.500	J 1.220	O 7.165			
	P 7.323	N-W 1.874	U 0.6250	AB 5.433	AA NPT 1/2"			
	Flange FC-149	AJ 5.874	AK 4.500	BD 6.535	BF UNC 3/8"x16-2B			
	BB 0.157	AH 2.563						

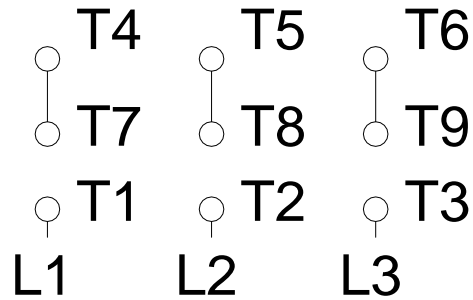
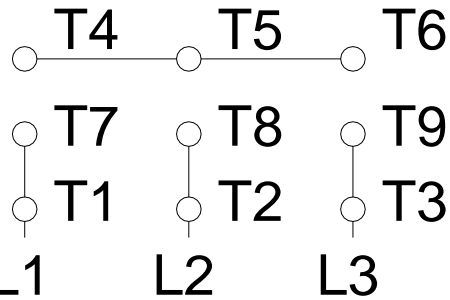
1 2 3 4 5 6 7 8

A

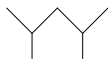
### LOW VOLTAGE

### HIGH VOLTAGE

B



C



D

E

F

Notes: Downloaded from <a href="http://dealerselectric.com">http://dealerselectric.com</a> Generated for Model #00136ES3EJP56J		
Performed by:		
Checked:		
Customer:		
Jet Pump - NEMA 56 : Three-Phase - Threaded - TEFC (IP55)		
Three-phase induction motor Frame B56J - IP55	12-SEP-2016	