



Dealers Industrial Equipment

No.:

Date: 12-SEP-2016

Customer :

TECHNICAL PROPOSAL

Single-phase induction motor - Squirrel cage rotor

Product line : Single-Phase : NEMA 56 TEFC

Catalog Number : 00136ES1BD56C

List Price : \$378

Notes:

Downloaded from <http://dealerselectric.com>

Generated for Model #00136ES1BD56C

Performed by:

Checked:



Dealers Industrial Equipment

No.:

Date: 12-SEP-2016

DATA SHEET Single-phase induction motor - Squirrel cage rotor

Customer :
Product line : Single-Phase : NEMA 56 TEFC

Frame : D56
Output : 1 HP
Frequency : 60 Hz
Poles : 2
Full load speed : 3500 rpm
Slip : 2.78 %
Voltage : 115/208-230 V
Rated current : 12.8/6.40-6.40 A
Locked rotor current : 89.6/44.8 A
Locked rotor current (I_L/I_n) : 7.0
No-load current : 9.00/4.50 A
Full load torque : 1.48 lb.ft
Locked rotor torque : 320 %
Breakdown torque : 280 %
Design : ---
Insulation class : B
Temperature rise : 80 K
Locked rotor time : 6 s (hot)
Service factor : 1.15 (1.00 at 208V)
Duty cycle : S1
Ambient temperature : -20°C - +40°C
Altitude : 1000 m
Degree of Protection : IP55
Approximate weight : 32 lb
Moment of inertia : 0.05149 sq.ft.lb
Noise level : ---

	D.E.	N.D.E.
Bearings	6204 ZZ	6202 ZZ
Regreasing interval	---	---
Grease amount	---	---

Load	Power factor	Efficiency (%)
100%	0.75	67.0
75%	0.67	63.0
50%	0.56	55.0

Notes:
Downloaded from <http://dealerselectric.com>
Generated for Model #00136ES1BD56C

Performed by

Checked



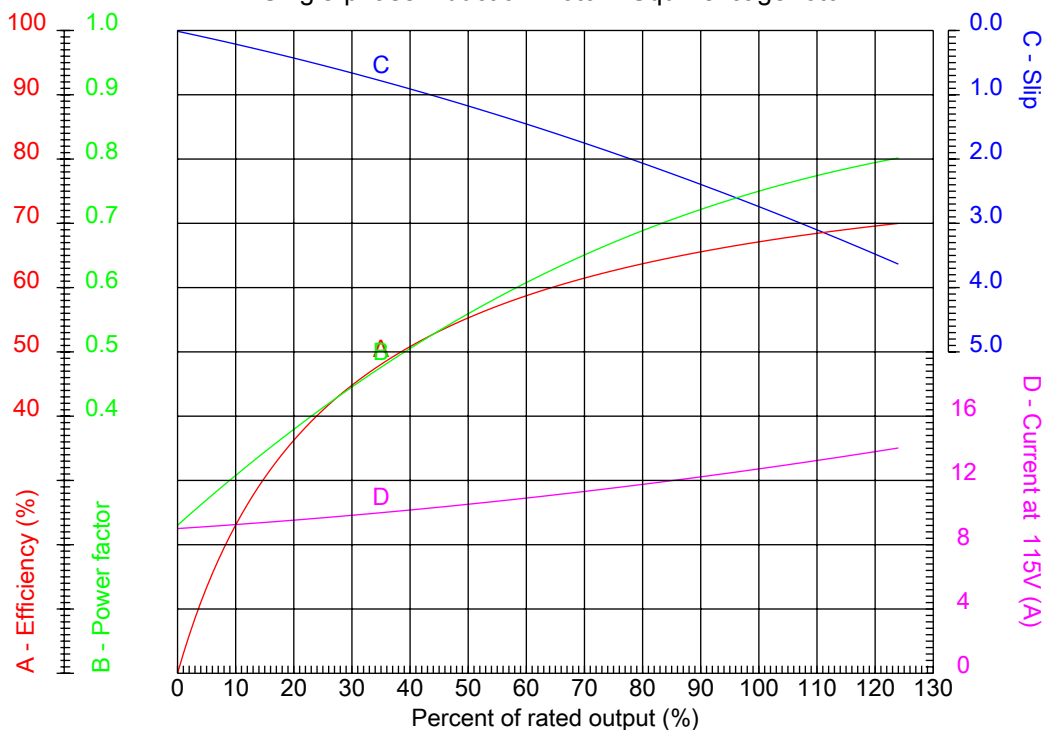
Dealers Industrial Equipment

No.:

Date: 12-SEP-2016

PERFORMANCE CURVES RELATED TO RATED OUTPUT

Single-phase induction motor - Squirrel cage rotor



Customer :
 Product line : Single-Phase : NEMA 56 TEFC

Frame : D56	Locked rotor current (I _L /I _n) : 7.0
Output : 1 HP	Duty cycle : S1
Frequency : 60 Hz	Service factor : 1.15 (1.00 at 208V)
Full load speed : 3500 rpm	Design : ---
Voltage : 115/208-230 V	Locked rotor torque : 320 %
Rated current : 12.8/6.40-6.40 A	Breakdown torque : 280 %
Insulation class : B	

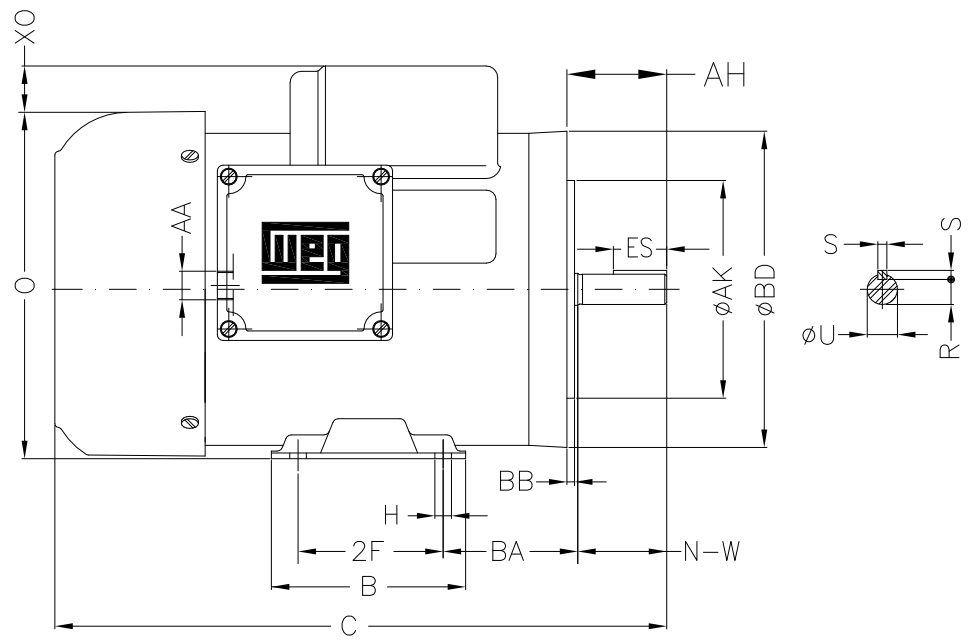
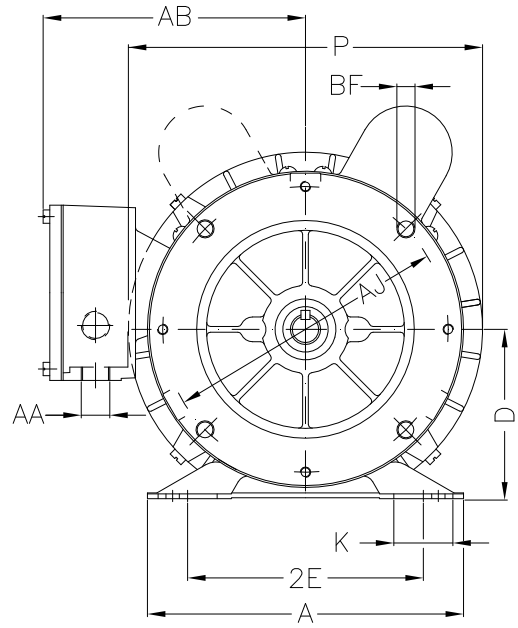
Notes:
 Downloaded from <http://dealerselectric.com>
 Generated for Model #00136ES1BD56C

Performed by

Checked

1 2 3 4 5 6 7 8

A
B
C
D
E
F



Notes: Downloaded from <http://dealerselectric.com>
Generated for Model #00136ES1BD56C

Performed by:

Checked:

Customer:

Single-Phase : NEMA 56 TEFC

2E 4.874	H 0.342	A 6.535	2F 3.000	B 4.016
BA 2.750	J 1.220	P 7.323	ES 1.102	S 0.187
depth 0.187	N-W 1.874	U 0.6250	R 0.517	d1 A 3,15
D 3.500	O 7.165	XO 1.063	C 12.283	AA 2xNPT 1/2"
Flange FC-149	AJ 5.874	AK 4.500	BD 6.535	BF UNC 3/8"x16-2B
BB 0.157	AH 2.063			

Single-phase induction motor
Frame D56 - IP55

12-SEP-2016

