



Dealers Industrial Equipment

No.:

Date: 12-SEP-2016

Customer :

TECHNICAL PROPOSAL

Three-phase induction motor - Squirrel cage rotor

Product line : Three-Phase : Explosion Proof - High Efficiency

Catalog Number : 00118XP3ER143TC

List Price : \$764

Notes:

Downloaded from <http://dealerselectric.com>

Generated for Model #00118XP3ER143TC

Performed by:

Checked:



# Dealers Industrial Equipment

No.:

Date: 12-SEP-2016

## DATA SHEET Three-phase induction motor - Squirrel cage rotor

Customer :  
 Product line : Three-Phase : Explosion Proof - High Efficiency

Frame : 143T  
 Output : 1 HP  
 Frequency : 60 Hz  
 Poles : 4  
 Full load speed : 1765 rpm  
 Slip : 1.94 %  
 Voltage : 208-230/460 V  
 Rated current : 3.29-2.98/1.49 A  
 Locked rotor current : 25.6/12.8 A  
 Locked rotor current (I<sub>L</sub>/I<sub>n</sub>) : 8.6  
 No-load current : 1.87/0.935 A  
 Full load torque : 2.94 lb.ft  
 Locked rotor torque : 290 %  
 Breakdown torque : 400 %  
 Design : B  
 Insulation class : F  
 Temperature rise : 80 K  
 Locked rotor time : 16 s (hot)  
 Service factor : 1.15  
 Duty cycle : S1  
 Ambient temperature : -20°C - +40°C  
 Altitude : 1000 m  
 Degree of Protection : IP54  
 Approximate weight : 62 lb  
 Moment of inertia : 0.09302 sq.ft.lb  
 Noise level : 51 dB(A)

	D.E.	N.D.E.
Bearings	6205 2RS	6204 2RS
Regreasing interval	---	---
Grease amount	---	---

Load	Power factor	Efficiency (%)
100%	0.77	82.5
75%	0.69	80.0
50%	0.55	77.0

Notes:  
 Downloaded from <http://dealerselectric.com>  
 Generated for Model #00118XP3ER143TC

Performed by

Checked



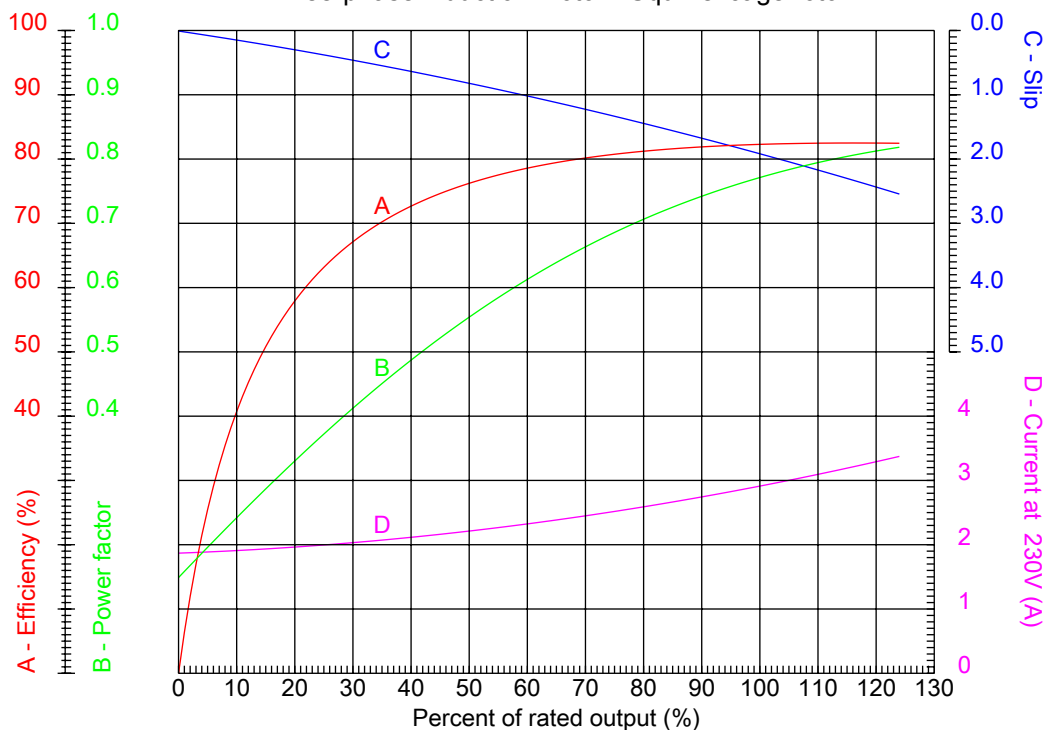
# Dealers Industrial Equipment

No.:

Date: 12-SEP-2016

## PERFORMANCE CURVES RELATED TO RATED OUTPUT

Three-phase induction motor - Squirrel cage rotor



Customer :  
Product line : Three-Phase : Explosion Proof - High Efficiency

Frame	: 143T	Locked rotor current (I <sub>l</sub> /I <sub>n</sub> )	: 8.6
Output	: 1 HP	Duty cycle	: S1
Frequency	: 60 Hz	Service factor	: 1.15
Full load speed	: 1765 rpm	Design	: B
Voltage	: 208-230/460 V	Locked rotor torque	: 290 %
Rated current	: 3.29-2.98/1.49 A	Breakdown torque	: 400 %
Insulation class	: F		

Notes:  
Downloaded from <http://dealerselectric.com>  
Generated for Model #00118XP3ER143TC

Performed by

Checked



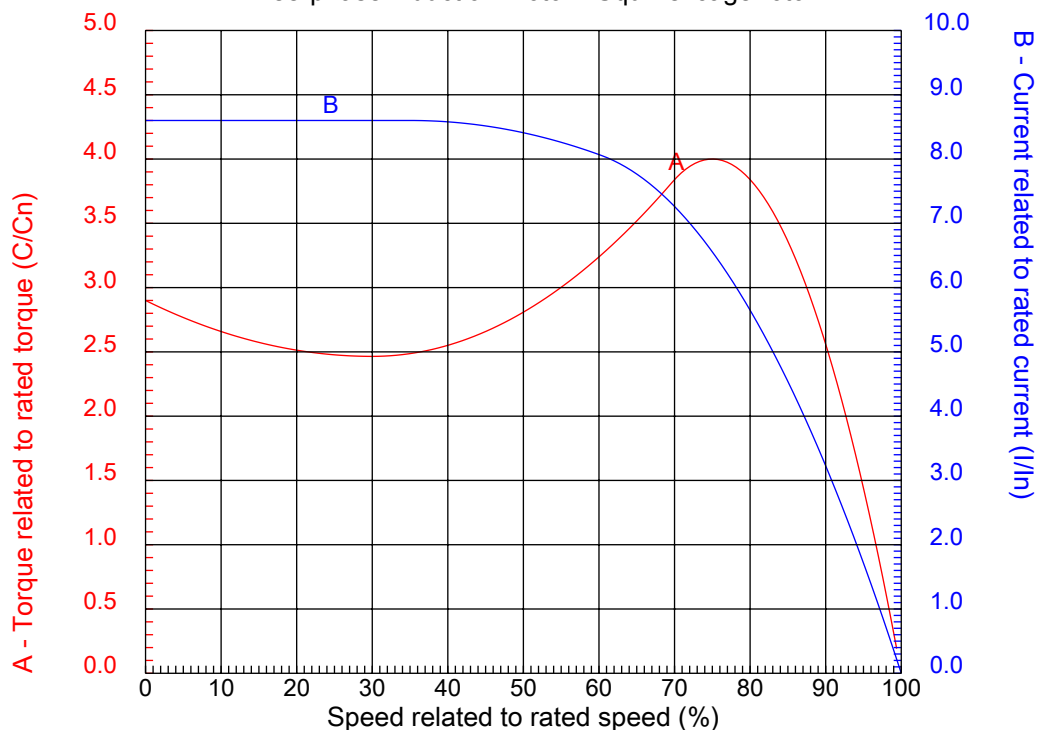
# Dealers Industrial Equipment

No.:

Date: 12-SEP-2016

## CHARACTERISTIC CURVES RELATED TO SPEED

Three-phase induction motor - Squirrel cage rotor



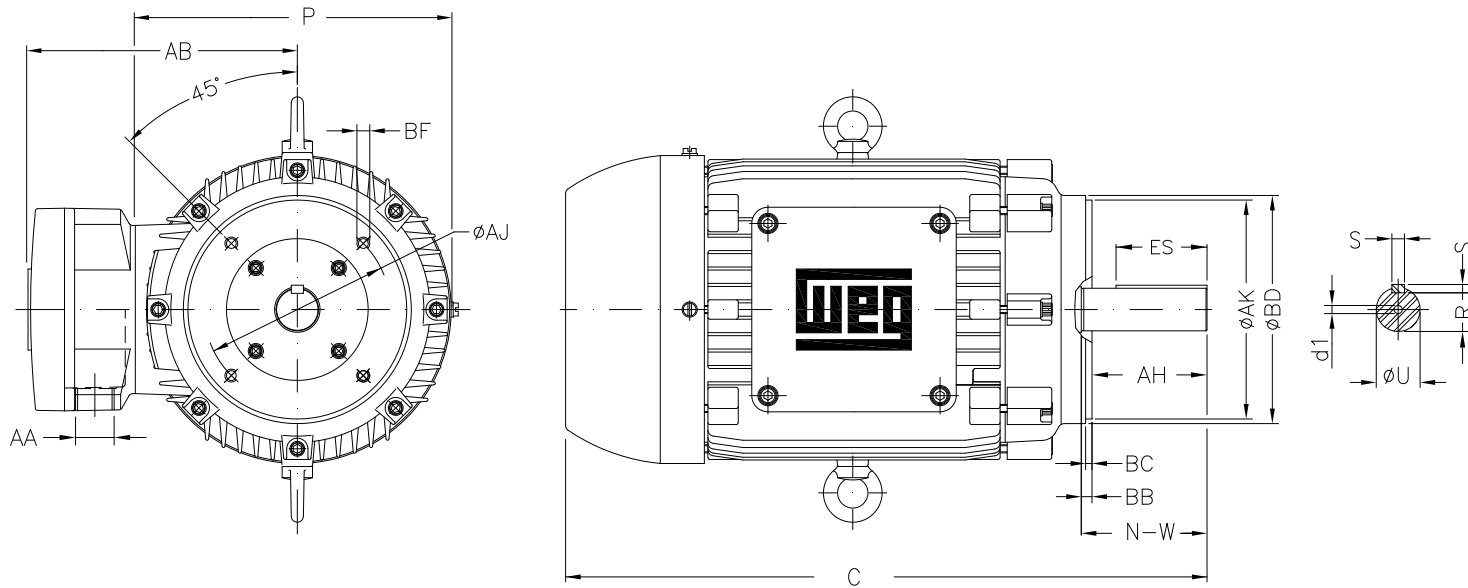
Customer :  
Product line : Three-Phase : Explosion Proof - High Efficiency

Frame	: 143T	Locked rotor current (I <sub>l</sub> /I <sub>n</sub> )	: 8.6
Output	: 1 HP	Duty cycle	: S1
Frequency	: 60 Hz	Service factor	: 1.15
Full load speed	: 1765 rpm	Design	: B
Voltage	: 208-230/460 V	Locked rotor torque	: 290 %
Rated current	: 3.29-2.98/1.49 A	Breakdown torque	: 400 %
Insulation class	: F		

Notes:  
Downloaded from <http://dealerselectric.com>  
Generated for Model #00118XP3ER143TC

Performed by

Checked



Notes: Downloaded from <http://dealerselectric.com>  
 Generated for Model #00118XP3ER143TC

Performed by:

Checked:

Customer:

Three-Phase : Explosion Proof - High Efficiency

P	ES	S	depth	N-W
7.000	1.575	0.187	0.187	2.250
U	R	AB	C	AA
0.875	0.771	6.811	12.760	NPT 3/4"
d1	d2	Flange	AJ	AK
A 4	A 4	FC-149	5.875	4.500
BD	BF	BB	BC	AH
6.500	UNC 3/8"x16	0.156	0.125	2.125

Three-phase induction motor  
 Frame 143T - IP54

12-SEP-2016



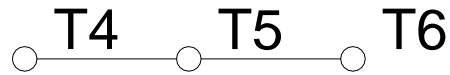
1 2 3 4 5 6 7 8

A

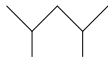
### LOW VOLTAGE

### HIGH VOLTAGE

B



C



D

E

F

Notes: Downloaded from <http://dealerselectric.com>  
 Generated for Model #00118XP3ER143TC

Performed by:

Checked:

Customer:

Three-Phase : Explosion Proof - High Efficiency

Three-phase induction motor  
 Frame 143T - IP54

12-SEP-2016

