



Dealers Industrial Equipment

No.:

Date: 12-SEP-2016

Customer :

TECHNICAL PROPOSAL

Three-phase induction motor - Squirrel cage rotor

Product line : Three-Phase: W22 IEEE-841™ Petrochem Motors - NEMA Premium® Efficiency

Catalog Number : 00118ST3QIE143TC-W22

List Price : \$972

Notes:

Downloaded from <http://dealerselectric.com>

Generated for Model #00118ST3QIE143TC-W22

Performed by:

Checked:



# Dealers Industrial Equipment

No.:

Date: 12-SEP-2016

## DATA SHEET Three-phase induction motor - Squirrel cage rotor

Customer :  
 Product line : Three-Phase: W22 IEEE-841™ Petrochem Motors - NEMA Premium® Efficiency

Frame : 143/5T  
 Output : 1 HP  
 Frequency : 60 Hz  
 Poles : 4  
 Full load speed : 1760 rpm  
 Slip : 2.22 %  
 Voltage : 460 V  
 Rated current : 1.47 A  
 Locked rotor current : 12.3 A  
 Locked rotor current (I<sub>L</sub>/I<sub>n</sub>) : 8.4  
 No-load current : 0.940 A  
 Full load torque : 2.94 lb.ft  
 Locked rotor torque : 320 %  
 Breakdown torque : 350 %  
 Design : B  
 Insulation class : F  
 Temperature rise : 80 K  
 Locked rotor time : 18 s (hot)  
 Service factor : 1.25  
 Duty cycle : S1  
 Ambient temperature : -20°C - +40°C  
 Altitude : 1000 m  
 Degree of Protection : IP55  
 Approximate weight : 41 lb  
 Moment of inertia : 0.11723 sq.ft.lb  
 Noise level : 51 dB(A)

|                     | D.E.    | N.D.E.  |
|---------------------|---------|---------|
| Bearings            | 6205 C3 | 6204 C3 |
| Regreasing interval | 20000 h | 20000 h |
| Grease amount       | 4 g     | 4 g     |

| Load | Power factor | Efficiency (%) |
|------|--------------|----------------|
| 100% | 0.75         | 85.5           |
| 75%  | 0.68         | 84.0           |
| 50%  | 0.55         | 80.0           |

Notes:  
 Downloaded from <http://dealerselectric.com>  
 Generated for Model #00118ST3QIE143TC-W22

Performed by

Checked



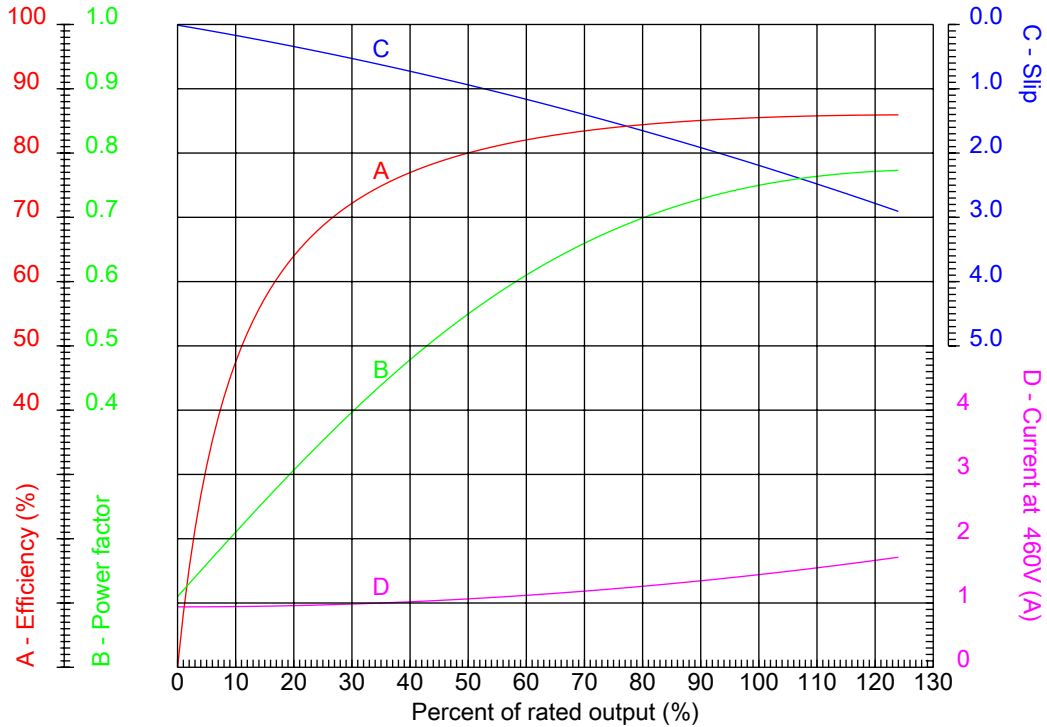
# Dealers Industrial Equipment

No.:

Date: 12-SEP-2016

## PERFORMANCE CURVES RELATED TO RATED OUTPUT

Three-phase induction motor - Squirrel cage rotor



Customer :  
 Product line : Three-Phase: W22 IEEE-841™ Petrochem Motors - NEMA Premium® Efficiency

|                  |            |  |         |
|------------------|------------|--|---------|
| Frame            | : 143/5T   | Locked rotor current (I <sub>l</sub> /I <sub>n</sub> ) | : 8.4   |
| Output           | : 1 HP     | Duty cycle   | : S1    |
| Frequency        | : 60 Hz    | Service factor   | : 1.25  |
| Full load speed  | : 1760 rpm | Design   | : B     |
| Voltage          | : 460 V    | Locked rotor torque                                    | : 320 % |
| Rated current    | : 1.47 A   | Breakdown torque                                       | : 350 % |
| Insulation class | : F        |  |         |

Notes:  
 Downloaded from <http://dealerselectric.com>  
 Generated for Model #00118ST3QIE143TC-W22

Performed by

Checked



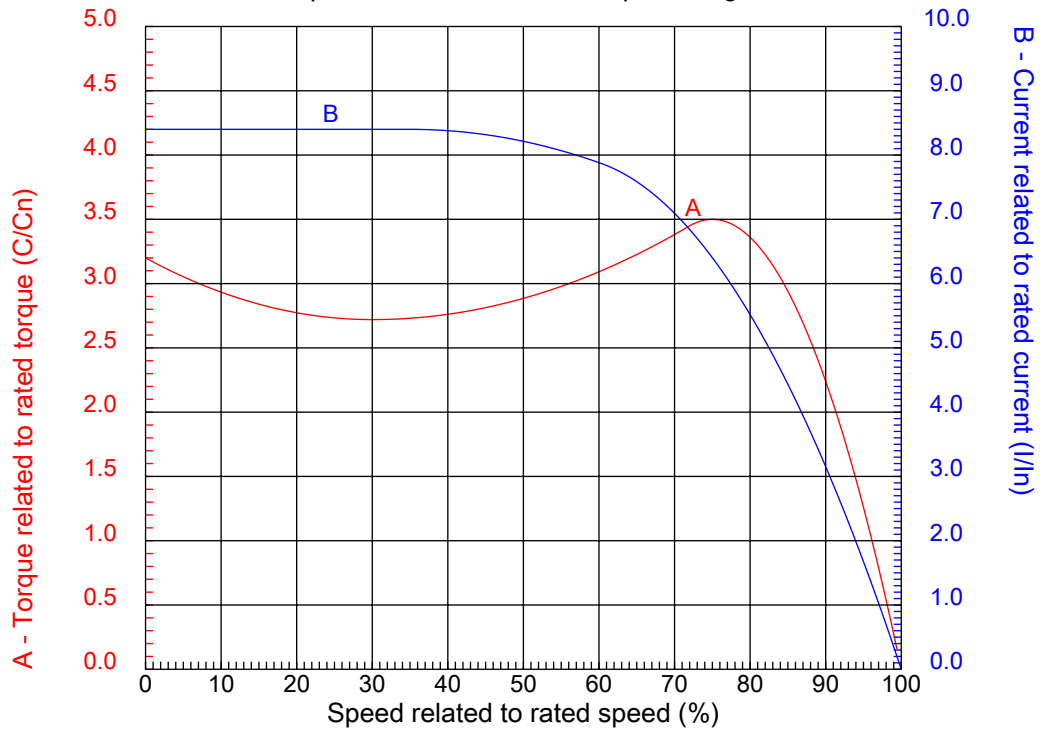
# Dealers Industrial Equipment

No.:

Date: 12-SEP-2016

## CHARACTERISTIC CURVES RELATED TO SPEED

Three-phase induction motor - Squirrel cage rotor



Customer :  
Product line : Three-Phase: W22 IEEE-841™ Petrochem Motors - NEMA Premium® Efficiency

|                  |            |  |         |
|------------------|------------|--|---------|
| Frame            | : 143/5T   | Locked rotor current (I <sub>l</sub> /I <sub>n</sub> ) | : 8.4   |
| Output           | : 1 HP     | Duty cycle   | : S1    |
| Frequency        | : 60 Hz    | Service factor   | : 1.25  |
| Full load speed  | : 1760 rpm | Design   | : B     |
| Voltage          | : 460 V    | Locked rotor torque                                    | : 320 % |
| Rated current    | : 1.47 A   | Breakdown torque                                       | : 350 % |
| Insulation class | : F        |  |         |

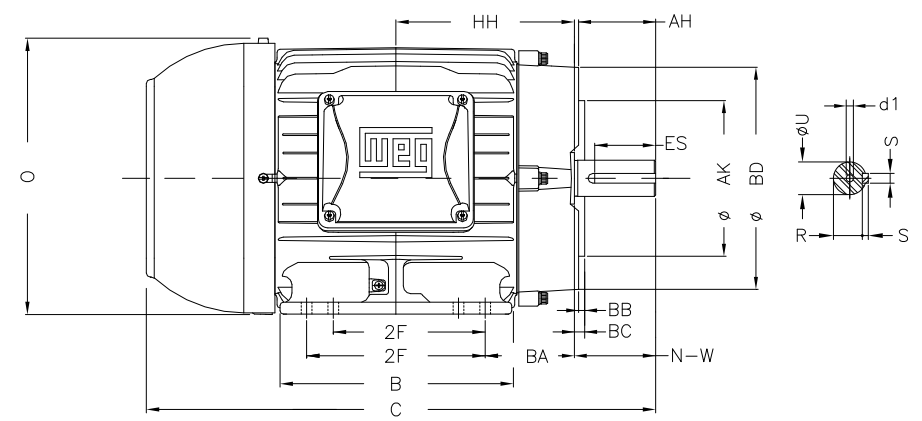
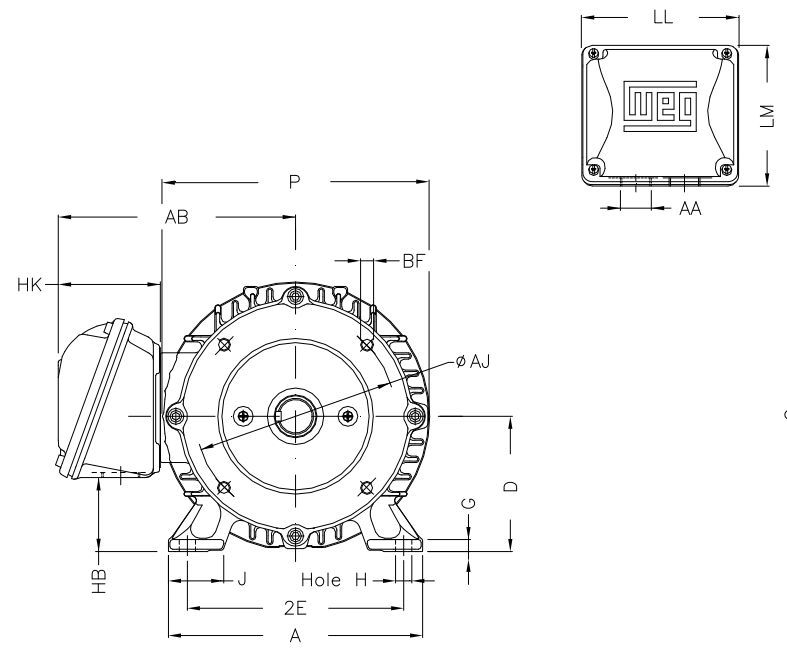
Notes:  
Downloaded from <http://dealerselectric.com>  
Generated for Model #00118ST3QIE143TC-W22

Performed by

Checked

1 2 3 4 5 6 7 8

A  
B  
C  
D  
E  
F



|             |       |             |        |       |
|-------------|-------|-------------|--------|-------|
| 2E          | J     | A           | P      | AB    |
| 5.500       | 1.437 | 6.457       | 7.047  | 6.260 |
| 2F          | B     | BA          | U      | N-W   |
| 4.000/5.000 | 6.142 | 2.250       | 0.875  | 2.250 |
| ES          | S     | R           | depth  | D     |
| 1.417       | 0.187 | 0.771       | 0.187  | 3.500 |
| G           | HB    | O           | HF     | HH    |
| 0.354       | 1.787 | 7.122       | 3.500  | 4.750 |
| HK          | H     | C           | LL     | LM    |
| 2.638       | 0.344 | 13.346      | 4.528  | 4.094 |
| AA          | d1    | d2          | Flange | AJ    |
| NPT 3/4"    | A 4   | A 4         | FC-149 | 5.875 |
| AK          | BD    | BF          | BB     | BC    |
| 4.500       | 6.500 | UNC 3/8"x16 | 0.156  | 0.125 |
| AH          |       |             |        |       |
| 2.125       |       |             |        |       |

Notes: Downloaded from <http://dealerselectric.com>  
 Generated for Model #00118ST3QIE143TC-W22

Performed by:


Checked:

Customer:

Three-Phase: W22 IEEE-841™ Petrochem Motors - NEMA Premium® Efficiency

Three-phase induction motor  
 Frame 143/5T - IP55

12-SEP-2016



1 2 3 4 5 6 7 8

A

B

C

D

E

F



Notes: Downloaded from <http://dealerselectric.com>  
Generated for Model #00118ST3QIE143TC-W22

Performed by:

Checked:

Customer:

Three-Phase: W22 IEEE-841™ Petrochem Motors - NEMA Premium® Efficiency

Three-phase induction motor  
Frame 143/5T - IP55

12-SEP-2016

