



Dealers Industrial Equipment

No.:

Date: 12-SEP-2016

Customer :

TECHNICAL PROPOSAL

Three-phase induction motor - Squirrel cage rotor

Product line : Three Phase: W01 (Rolled Steel) - ODP - NEMA Premium Efficiency

Catalog Number : 00118OT3E143TC-S

List Price : \$424

Notes:

Downloaded from <http://dealerselectric.com>

Generated for Model #00118OT3E143TC-S

Performed by:

Checked:



# Dealers Industrial Equipment

No.:

Date: 12-SEP-2016

## DATA SHEET Three-phase induction motor - Squirrel cage rotor

Customer :  
 Product line : Three Phase: W01 (Rolled Steel) - ODP - NEMA Premium Efficiency

Frame : 143/5T  
 Output : 1 HP  
 Frequency : 60 Hz  
 Poles : 4  
 Full load speed : 1760 rpm  
 Slip : 2.22 %  
 Voltage : 208-230/460 V  
 Rated current : 3.34-3.02/1.51 A  
 Locked rotor current : 24.2/12.1 A  
 Locked rotor current (I<sub>L</sub>/I<sub>n</sub>) : 8.0  
 No-load current : 1.92/0.958 A  
 Full load torque : 2.94 lb.ft  
 Locked rotor torque : 290 %  
 Breakdown torque : 360 %  
 Design : B  
 Insulation class : F  
 Temperature rise : 80 K  
 Locked rotor time : 22 s (hot)  
 Service factor : 1.15  
 Duty cycle : S1  
 Ambient temperature : -20°C - +40°C  
 Altitude : 1000 m  
 Degree of Protection : ODP  
 Approximate weight : 34 lb  
 Moment of inertia : 0.11011 sq.ft.lb  
 Noise level : 52 dB(A)

	D.E.	N.D.E.
Bearings	6205 ZZ	6203 ZZ
Regreasing interval	---	---
Grease amount	---	---

Load	Power factor	Efficiency (%)
100%	0.73	85.5
75%	0.65	84.0
50%	0.51	81.5

Notes:  
 Downloaded from <http://dealerselectric.com>  
 Generated for Model #00118OT3E143TC-S

Performed by

Checked



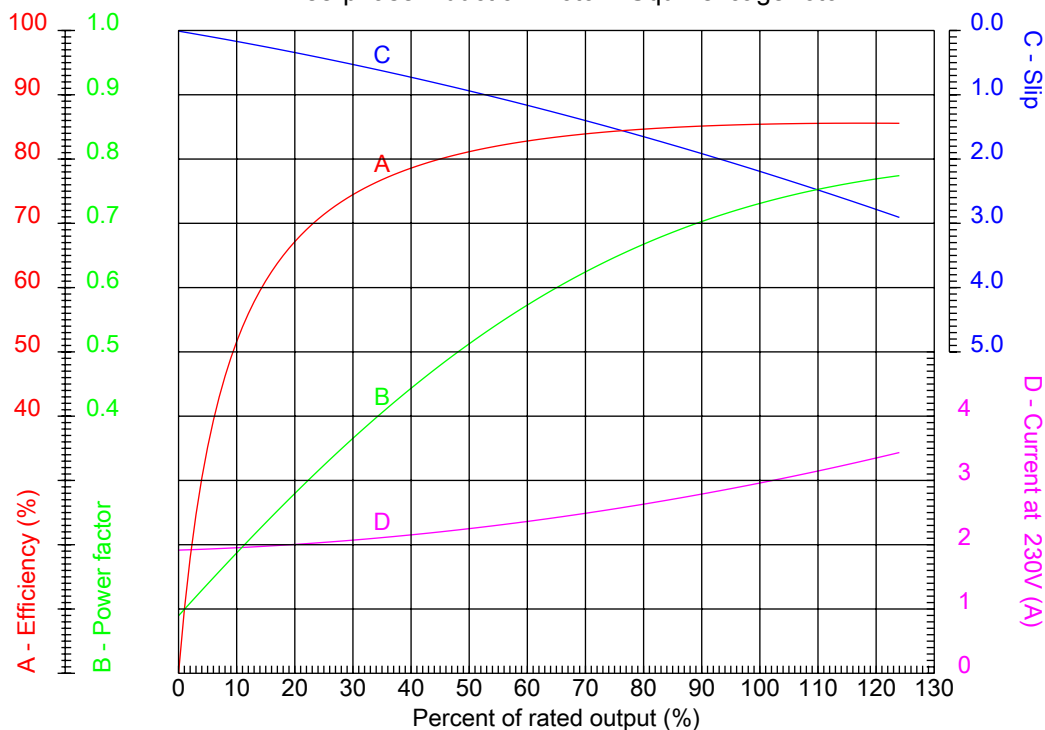
# Dealers Industrial Equipment

No.:

Date: 12-SEP-2016

## PERFORMANCE CURVES RELATED TO RATED OUTPUT

Three-phase induction motor - Squirrel cage rotor



Customer :  
Product line : Three Phase: W01 (Rolled Steel) - ODP - NEMA Premium Efficiency

Frame	: 143/5T	Locked rotor current (I <sub>l</sub> /I <sub>n</sub> )	: 8.0
Output	: 1 HP	Duty cycle	: S1
Frequency	: 60 Hz	Service factor	: 1.15
Full load speed	: 1760 rpm	Design	: B
Voltage	: 208-230/460 V	Locked rotor torque	: 290 %
Rated current	: 3.34-3.02/1.51 A	Breakdown torque	: 360 %
Insulation class	: F		

Notes:  
Downloaded from <http://dealerselectric.com>  
Generated for Model #00118OT3E143TC-S

Performed by

Checked



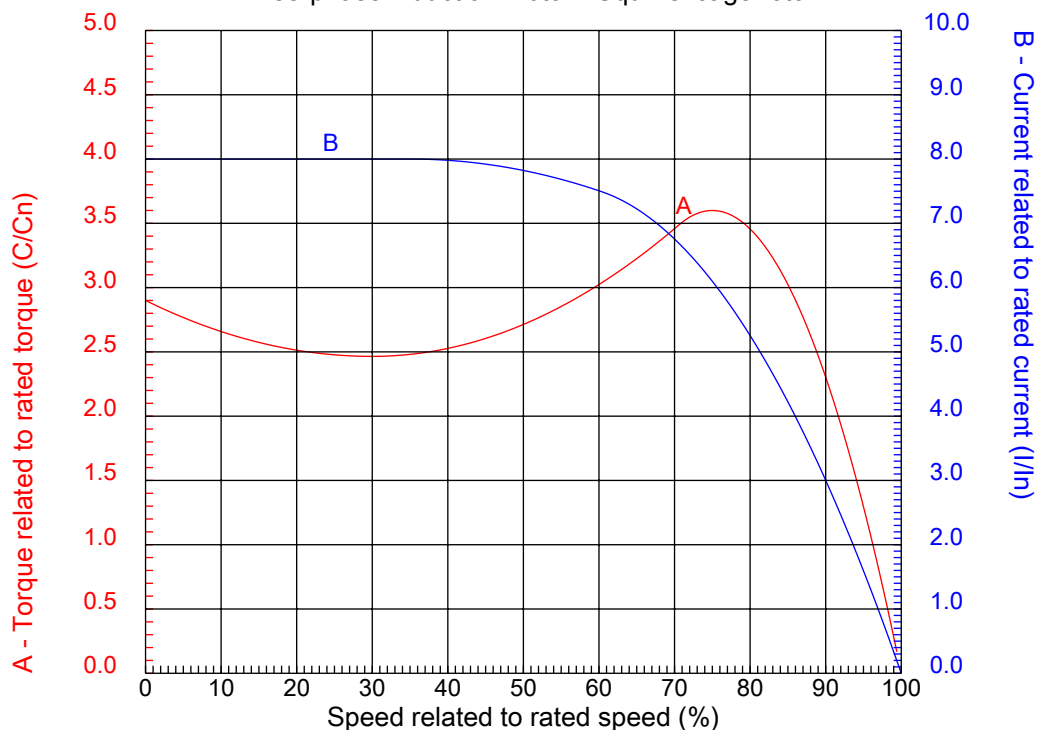
# Dealers Industrial Equipment

No.:

Date: 12-SEP-2016

## CHARACTERISTIC CURVES RELATED TO SPEED

Three-phase induction motor - Squirrel cage rotor



Customer :  
Product line : Three Phase: W01 (Rolled Steel) - ODP - NEMA Premium Efficiency

Frame	: 143/5T	Locked rotor current (I <sub>l</sub> /I <sub>n</sub> )	: 8.0
Output	: 1 HP	Duty cycle	: S1
Frequency	: 60 Hz	Service factor	: 1.15
Full load speed	: 1760 rpm	Design	: B
Voltage	: 208-230/460 V	Locked rotor torque	: 290 %
Rated current	: 3.34-3.02/1.51 A	Breakdown torque	: 360 %
Insulation class	: F		

Notes:  
Downloaded from <http://dealerselectric.com>  
Generated for Model #00118OT3E143TC-S

Performed by

Checked

1 2 3 4 5 6 7 8

A

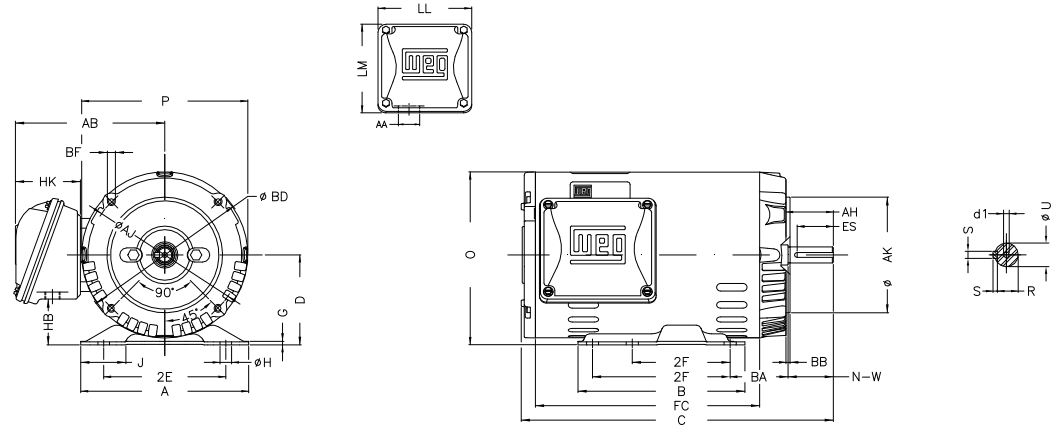
B

C

D

E

F



Notes: Downloaded from <http://dealerselectric.com>  
Generated for Model #001180T3E143TC-S

P 6.456	AB 5.882	J 1.732	2E 5.500	A 6.535
H 0.343	G 0.120	HB 1.783	HK 2.638	T 0.004
O 6.724	FC 7.480	2F 4.000/5.000	B 6.496	C 11.181
BA 2.750	N-W 2.250	ES 1.417	d1 A 3.15	S 0.187
U 0.875	AA 1.118"	depth 0.187	R 0.771	LL 4.543
LM 4.106	D 3.500	CH 1.377	Flange FC-149	AJ 5.874
AK 4.500	BD 6.450	BF UNC 3/8"x16	BB 0.157	AH 2.132

Performed by:

Checked:

Customer:

Three Phase: W01 (Rolled Steel) - ODP - NEMA Premium Efficiency

Three-phase induction motor  
Frame 143/5T - ODP

12-SEP-2016



1 2 3 4 5 6 7 8

A

### LOW VOLTAGE

### HIGH VOLTAGE

B



C



D

E

F

Notes: Downloaded from <http://dealerselectric.com>  
 Generated for Model #001180T3E143TC-S

Performed by:

Checked:

Customer:

Three Phase: W01 (Rolled Steel) - ODP - NEMA Premium Efficiency

Three-phase induction motor  
 Frame 143/5T - IP21

12-SEP-2016

