



Dealers Industrial Equipment

No.:

Date: 12-SEP-2016

Customer :

TECHNICAL PROPOSAL

Three-phase induction motor - Squirrel cage rotor

Product line : Three-Phase : NEMA 56 Frames - ODP

Catalog Number : 00118OS3EB56C

List Price : \$320

Notes:

Downloaded from <http://dealerselectric.com>

Generated for Model #00118OS3EB56C

Performed by:

Checked:



Dealers Industrial Equipment

No.:

Date: 12-SEP-2016

DATA SHEET Three-phase induction motor - Squirrel cage rotor

Customer :
Product line : Three-Phase : NEMA 56 Frames - ODP

Frame : B56
Output : 1 HP
Frequency : 60 Hz
Poles : 4
Full load speed : 1730 rpm
Slip : 3.89 %
Voltage : 208-230/460 V
Rated current : 3.30-3.30/1.65 A
Locked rotor current : 20.8/10.4 A
Locked rotor current (I_L/I_n) : 6.3
No-load current : 2.60/1.30 A
Full load torque : 2.99 lb.ft
Locked rotor torque : 250 %
Breakdown torque : 250 %
Design : A
Insulation class : B
Temperature rise : 80 K
Locked rotor time : 15 s (hot)
Service factor : 1.15 (1.00 at 208V)
Duty cycle : S1
Ambient temperature : -20°C - +40°C
Altitude : 1000 m
Degree of Protection : IP21
Approximate weight : 28 lb
Moment of inertia : 0.07119 sq.ft.lb
Noise level : ---

	D.E.	N.D.E.
Bearings	6204 ZZ	6203 ZZ
Regreasing interval	---	---
Grease amount	---	---

Load	Power factor	Efficiency (%)
100%	0.77	74.0
75%	0.67	72.0
50%	0.54	68.0

Notes:
Downloaded from <http://dealerselectric.com>
Generated for Model #00118OS3EB56C

Performed by

Checked



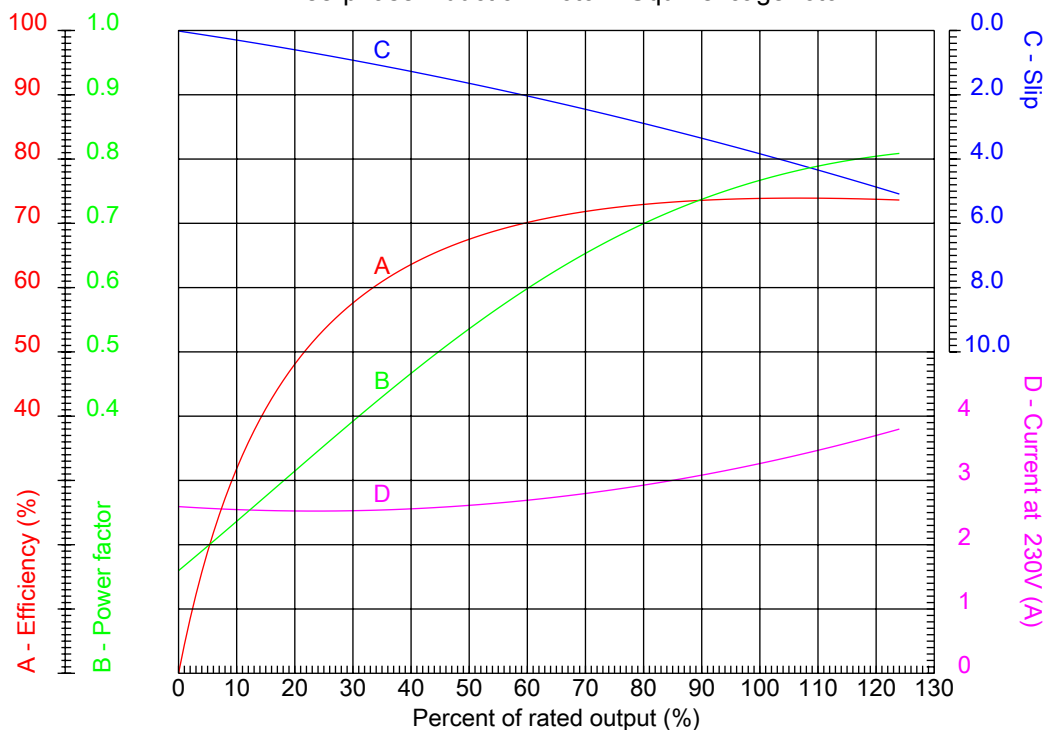
Dealers Industrial Equipment

No.:

Date: 12-SEP-2016

PERFORMANCE CURVES RELATED TO RATED OUTPUT

Three-phase induction motor - Squirrel cage rotor



Customer :
Product line : Three-Phase : NEMA 56 Frames - ODP

Frame	: B56	Locked rotor current (I _l /I _n)	: 6.3
Output	: 1 HP	Duty cycle	: S1
Frequency	: 60 Hz	Service factor	: 1.15 (1.00 at 208V)
Full load speed	: 1730 rpm	Design	: A
Voltage	: 208-230/460 V	Locked rotor torque	: 250 %
Rated current	: 3.30-3.30/1.65 A	Breakdown torque	: 250 %
Insulation class	: B		

Notes:
Downloaded from <http://dealerselectric.com>
Generated for Model #00118OS3EB56C

Performed by

Checked



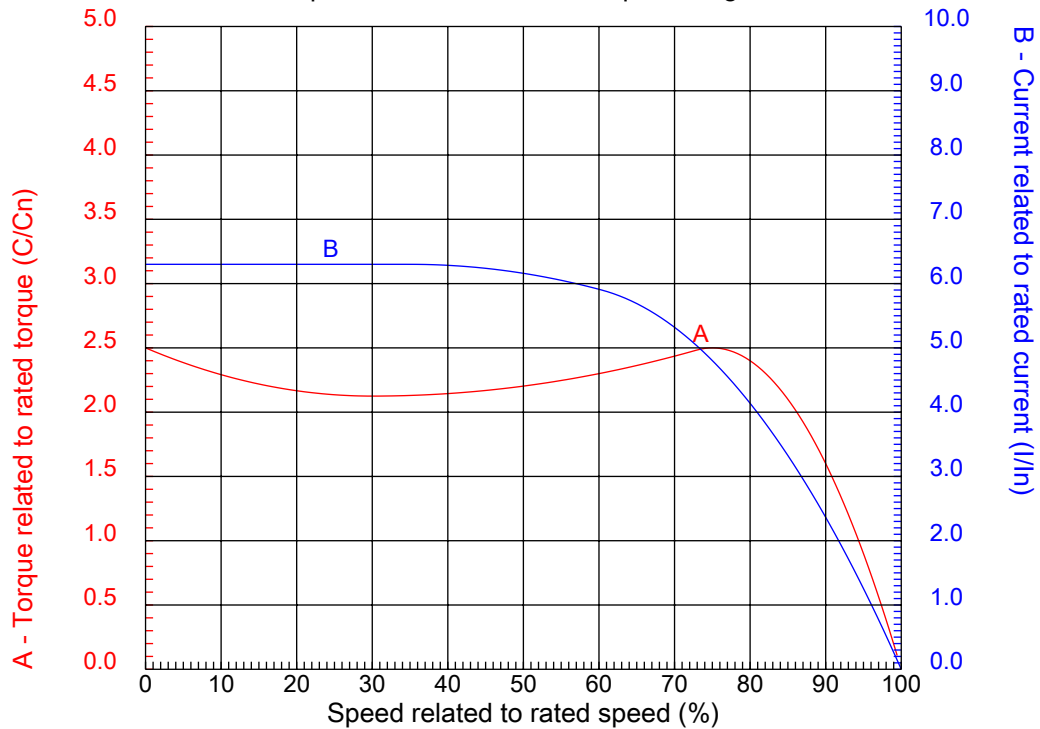
Dealers Industrial Equipment

No.:

Date: 12-SEP-2016

CHARACTERISTIC CURVES RELATED TO SPEED

Three-phase induction motor - Squirrel cage rotor



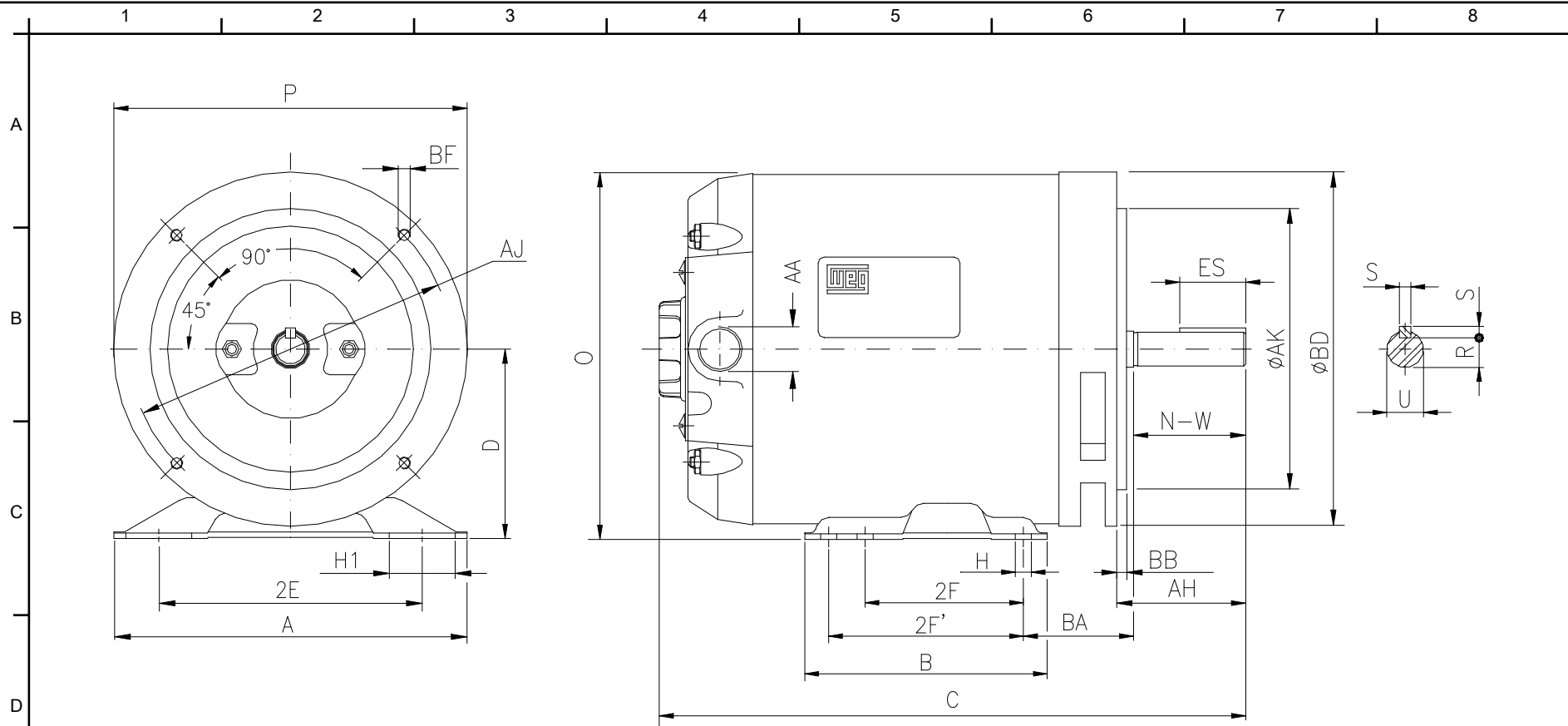
Customer :
Product line : Three-Phase : NEMA 56 Frames - ODP

Frame	: B56	Locked rotor current (I _l /I _n)	: 6.3
Output	: 1 HP	Duty cycle	: S1
Frequency	: 60 Hz	Service factor	: 1.15 (1.00 at 208V)
Full load speed	: 1730 rpm	Design	: A
Voltage	: 208-230/460 V	Locked rotor torque	: 250 %
Rated current	: 3.30-3.30/1.65 A	Breakdown torque	: 250 %
Insulation class	: B		

Notes:
Downloaded from <http://dealerselectric.com>
Generated for Model #00118OS3EB56C

Performed by

Checked



Notes: Downloaded from <http://dealerselectric.com>
 Generated for Model #00118OS3EB56C

Performed by:

Checked:

Customer:

Three-Phase : NEMA 56 Frames - ODP

2E	H	A	2F	B
4.874	0.342	6.535	3.000	4.016
BA	J	P	ES	S
2.750	1.220	6.457	1.102	0.187
N-W	depth	U	R	d1
1.874	0.187	0.6250	0.517	A 3,15
D	O	C	AA	Flange
3.500	6.732	11.102	NPT 1/2"	FC-149
AJ	AK	BD	BF	BB
5.874	4.500	6.500	UNC 3/8"x16-2B	0.157

Three-phase induction motor
 Frame B56 - IP21

12-SEP-2016



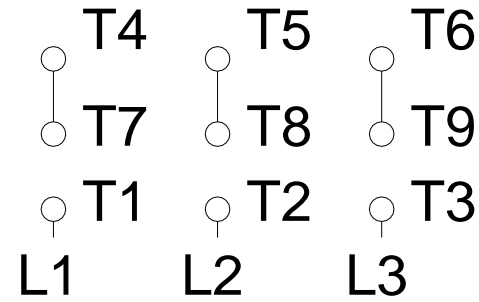
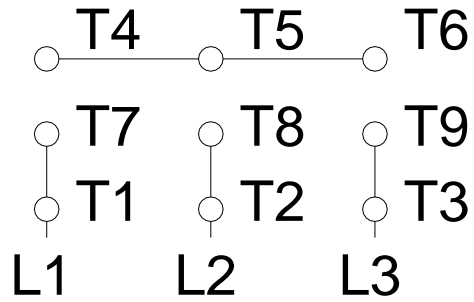
1 2 3 4 5 6 7 8

A

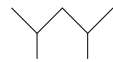
LOW VOLTAGE

HIGH VOLTAGE

B



C



D

E

F

Notes: Downloaded from <http://dealerselectric.com>
 Generated for Model #00118OS3EB56C

Performed by:

Checked:

Customer:

Three-Phase : NEMA 56 Frames - ODP

Three-phase induction motor
 Frame B56 - IP21

12-SEP-2016

