



Dealers Industrial Equipment

No.:

Date: 12-SEP-2016

Customer :

TECHNICAL PROPOSAL

Single-phase induction motor - Squirrel cage rotor

Product line : Single-Phase : NEMA 48 & 56 ODP - Resilient Base

Catalog Number : 00118OS1BRBOD56

List Price : \$408

Notes:

Downloaded from <http://dealerselectric.com>

Generated for Model #00118OS1BRBOD56

Performed by:

Checked:



Dealers Industrial Equipment

No.:

Date: 12-SEP-2016

DATA SHEET Single-phase induction motor - Squirrel cage rotor

Customer :
Product line : Single-Phase : NEMA 48 & 56 ODP - Resilient Base

Frame : D56
Output : 1 HP
Frequency : 60 Hz
Poles : 4
Full load speed : 1740 rpm
Slip : 3.33 %
Voltage : 115/208-230 V
Rated current : 14.0/6.80-7.00 A
Locked rotor current : 78.4/39.2 A
Locked rotor current (I_L/I_n) : 5.6
No-load current : 10.0/5.00 A
Full load torque : 2.98 lb.ft
Locked rotor torque : 270 %
Breakdown torque : 260 %
Design : ---
Insulation class : B
Temperature rise : 80 K
Locked rotor time : 6 s (hot)
Service factor : 1.15 (1.00 at 208V)
Duty cycle : S1
Ambient temperature : -20°C - +40°C
Altitude : 1000 m
Degree of Protection : IP21
Approximate weight : 35 lb
Moment of inertia : 0.13384 sq.ft.lb
Noise level : ---

	D.E.	N.D.E.
Bearings	6204 ZZ	6203 ZZ
Regreasing interval	---	---
Grease amount	---	---

Load	Power factor	Efficiency (%)
100%	0.64	71.4
75%	0.56	70.0
50%	0.44	64.2

Notes:
Downloaded from <http://dealerselectric.com>
Generated for Model #00118OS1BRBOD56

Performed by

Checked



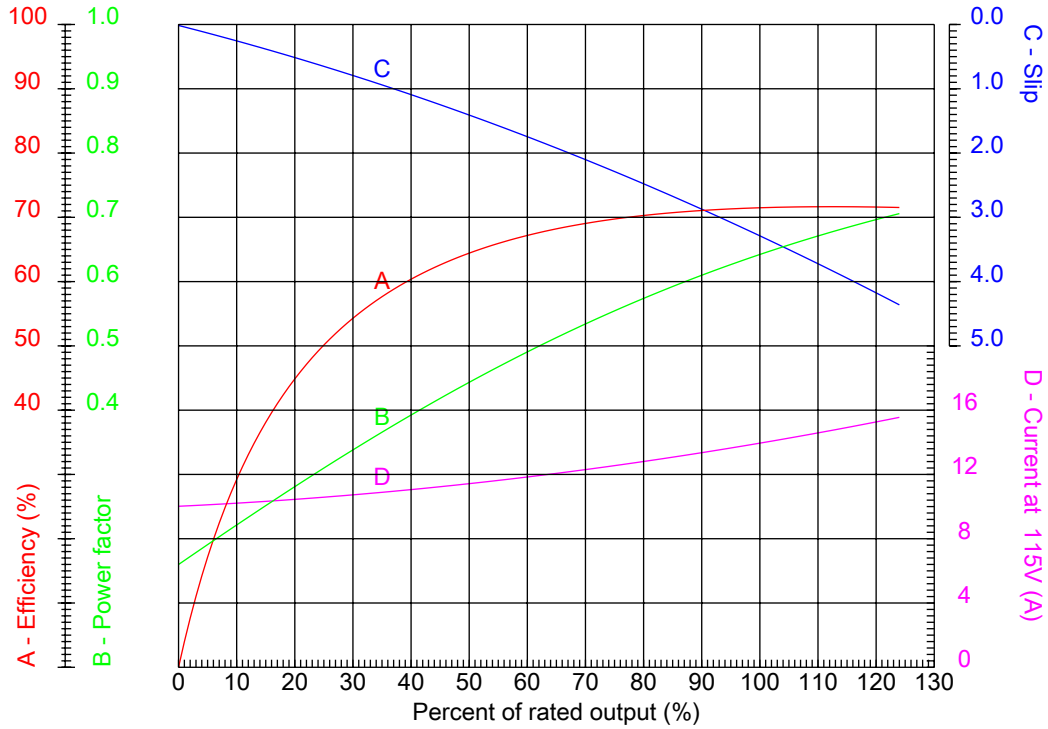
Dealers Industrial Equipment

No.:

Date: 12-SEP-2016

PERFORMANCE CURVES RELATED TO RATED OUTPUT

Single-phase induction motor - Squirrel cage rotor



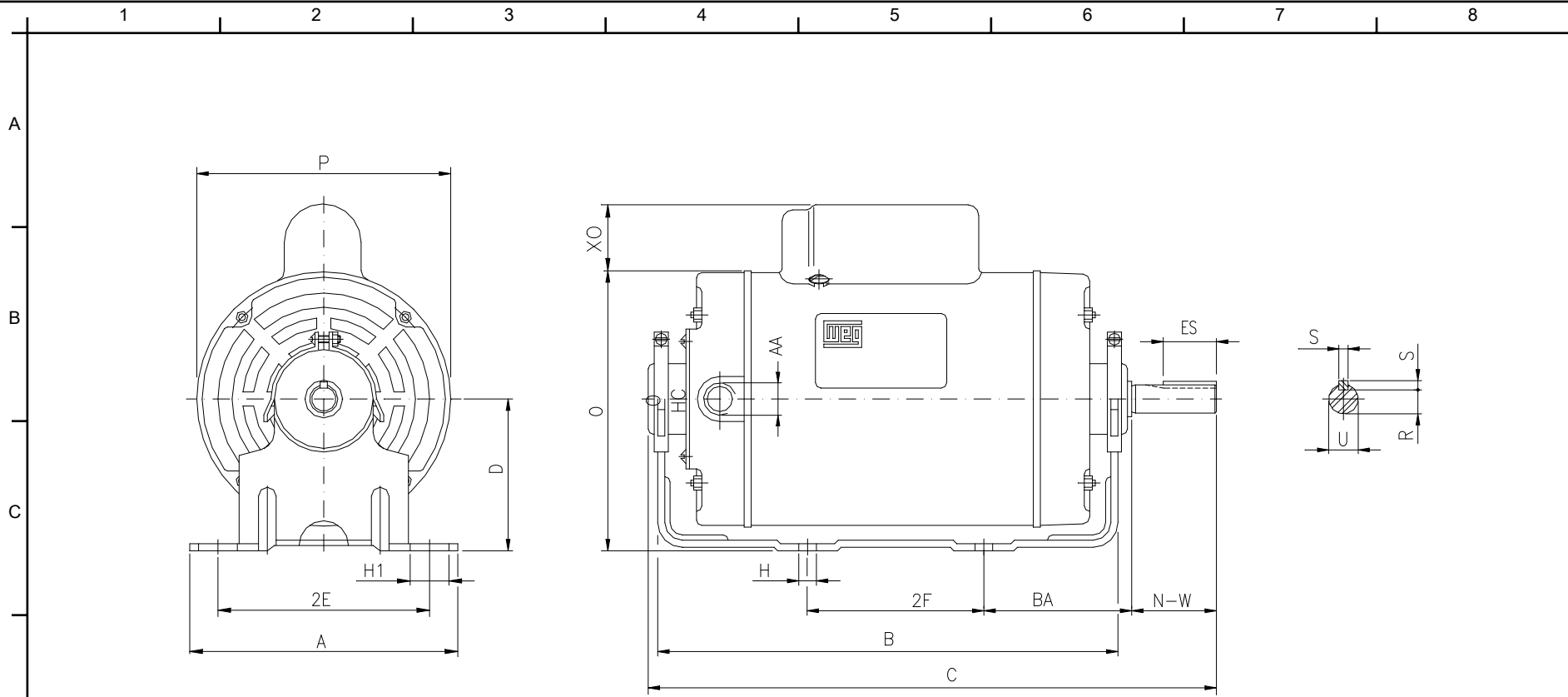
Customer :
 Product line : Single-Phase : NEMA 48 & 56 ODP - Resilient Base

Frame : D56	Locked rotor current (I _L /I _n) : 5.6
Output : 1 HP	Duty cycle : S1
Frequency : 60 Hz	Service factor : 1.15 (1.00 at 208V)
Full load speed : 1740 rpm	Design : ---
Voltage : 115/208-230 V	Locked rotor torque : 270 %
Rated current : 14.0/6.80-7.00 A	Breakdown torque : 260 %
Insulation class : B	

Notes:
 Downloaded from <http://dealerselectric.com>
 Generated for Model #00118OS1BRBOD56

Performed by

Checked



Notes: Downloaded from <http://dealerselectric.com>
 Generated for Model #00118OS1BRBOD56

Performed by:

Checked:

Customer:

Single-Phase : NEMA 48 & 56 ODP - Resilient Base

2E	2F	H	BA	A
4.874	3.000	0.342	2.750	6.535
B	C	D	G	J
4.016	12.992	3.500	3.04	1.220
O	P	ES	S	N-W
6.732	6.457	1.102	0.187	1.874
U	R	AA		
0.625	0.517	NPT 1/2"		

Single-phase induction motor
 Frame D56 - IP21

12-SEP-2016

