



Dealers Industrial Equipment

No.:

Date: 12-SEP-2016

Customer :

TECHNICAL PROPOSAL

Single-phase induction motor - Squirrel cage rotor

Product line : Single-Phase : NEMA 48 & 56 ODP - Start Capacitor

Catalog Number : 00118OS1BD56CFL

List Price : \$378

Notes:

Downloaded from <http://dealerselectric.com>

Generated for Model #00118OS1BD56CFL

Performed by:

Checked:



Dealers Industrial Equipment

No.:

Date: 12-SEP-2016

DATA SHEET

Single-phase induction motor - Squirrel cage rotor

Customer :
Product line : Single-Phase : NEMA 48 & 56 ODP - Start Capacitor

Frame : D56
Output : 1 HP
Frequency : 60 Hz
Poles : 4
Full load speed : 1730 rpm
Slip : 3.89 %
Voltage : 115/208-230 V
Rated current : 13.0/6.50 A
Locked rotor current : 72.8/36.4 A
Locked rotor current (I_L/I_n) : 5.6
No-load current : 8.67/4.34 A
Full load torque : 2.99 lb.ft
Locked rotor torque : 210 %
Breakdown torque : 240 %
Design : ---
Insulation class : B
Temperature rise : 80 K
Locked rotor time : 6 s (hot)
Service factor : 1.15 (1.00 at 208V)
Duty cycle : S1
Ambient temperature : -20°C - +40°C
Altitude : 1000 m
Degree of Protection : IP21
Approximate weight : 36 lb
Moment of inertia : 0.13384 sq.ft.lb
Noise level : ---

	D.E.	N.D.E.	Load	Power factor	Efficiency (%)
Bearings	6204 ZZ	6203 ZZ	100%	0.69	71.8
Regreasing interval	---	---	75%	0.61	71.0
Grease amount	---	---	50%	0.49	66.0

Notes:

Downloaded from <http://dealerselectric.com>
Generated for Model #00118OS1BD56CFL

Performed by

Checked



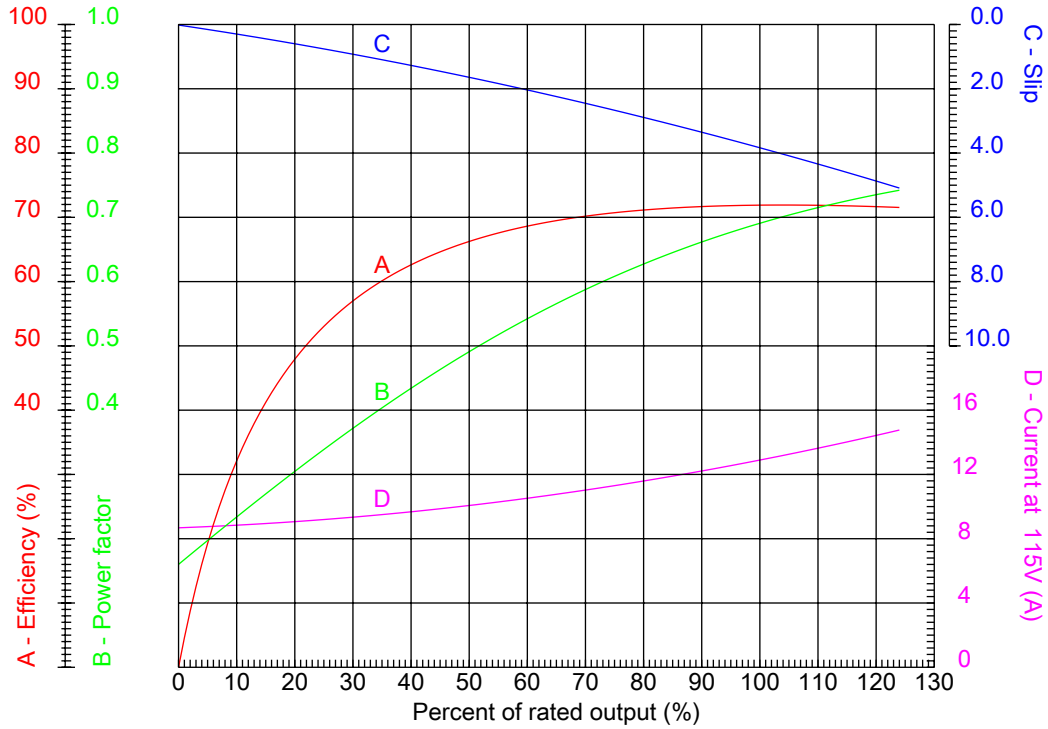
Dealers Industrial Equipment

No.:

Date: 12-SEP-2016

PERFORMANCE CURVES RELATED TO RATED OUTPUT

Single-phase induction motor - Squirrel cage rotor



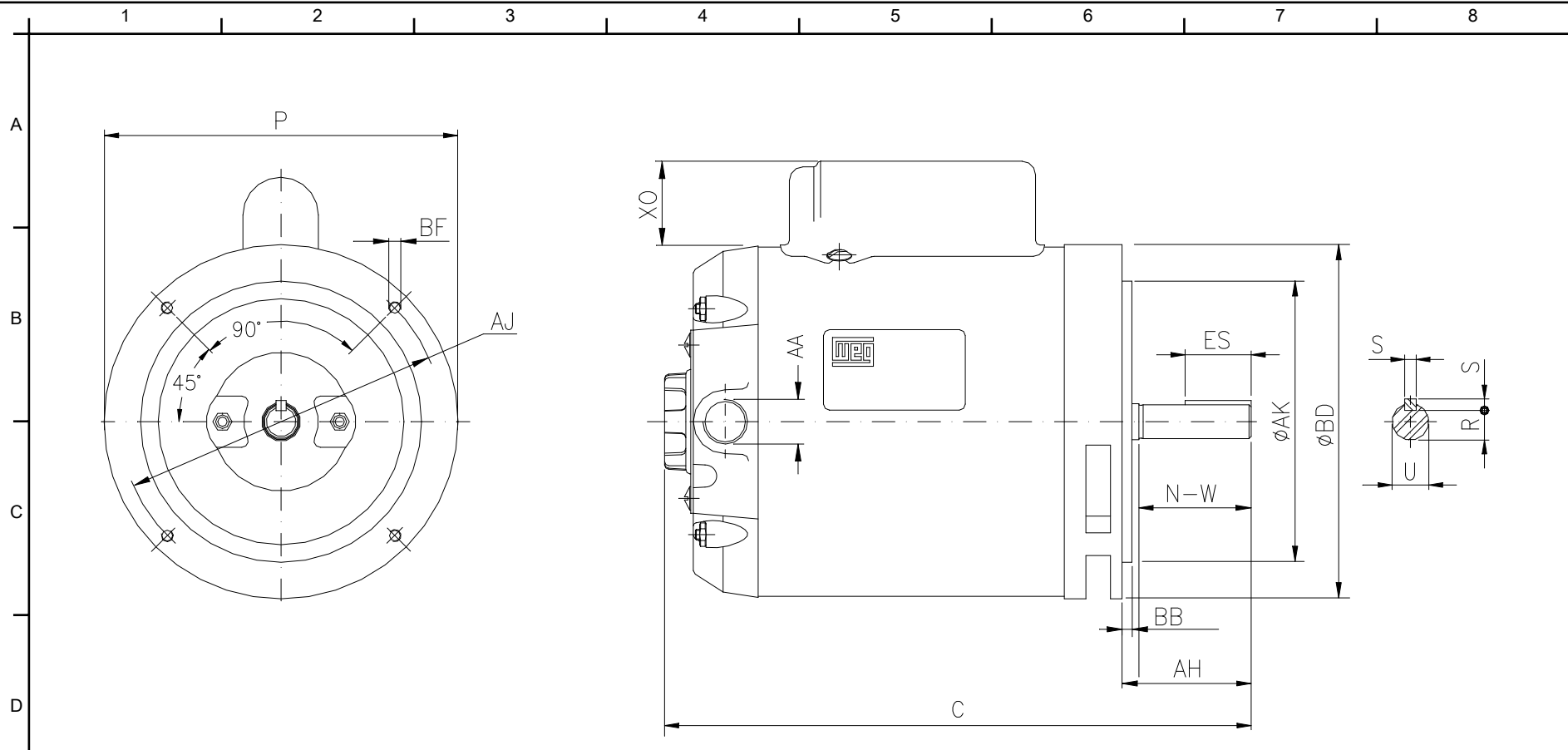
Customer :
 Product line : Single-Phase : NEMA 48 & 56 ODP - Start Capacitor

Frame : D56	Locked rotor current (I _L /I _n) : 5.6
Output : 1 HP	Duty cycle : S1
Frequency : 60 Hz	Service factor : 1.15 (1.00 at 208V)
Full load speed : 1730 rpm	Design : ---
Voltage : 115/208-230 V	Locked rotor torque : 210 %
Rated current : 13.0/6.50 A	Breakdown torque : 240 %
Insulation class : B	

Notes:
 Downloaded from <http://dealerselectric.com>
 Generated for Model #00118OS1BD56CFL

Performed by

Checked



Notes: Downloaded from <http://dealerselectric.com>
 Generated for Model #00118OS1BD56CFL

Performed by:

Checked:

Customer:

Single-Phase : NEMA 48 & 56 ODP - Start Capacitor

C	P	ES	S	N-W
12.283	6.457	1.102	0.187	1.874
U	R	AA	d1	AH
0.6250	0.517	NPT 1/2"	A 3.15	2.063
Flange	AJ	AK	BD	BF
FC-149	5.874	4.500	6.500	UNC 3/8"x16-2B
BB				
0.157				

Single-phase induction motor
 Frame D56 - IP21

12-SEP-2016

