



Dealers Industrial Equipment

No.:

Date: 12-SEP-2016

Customer :

TECHNICAL PROPOSAL

Three-phase induction motor - Squirrel cage rotor

Product line : Three-Phase: W21 IE3 IEC Tru-Metric - TEFC (IP55) Multi-Mounting Aluminum
Frame
Catalog Number : 00118ET3WAL90S
List Price : \$470

Notes:
Downloaded from <http://dealerselectric.com>
Generated for Model #00118ET3WAL90S

Performed by:

Checked:



Dealers Industrial Equipment

No.:

Date: 12-SEP-2016

DATA SHEET

Three-phase induction motor - Squirrel cage rotor

Customer :
 Product line : Three-Phase: W21 IE3 IEC Tru-Metric - TEFC (IP55) Multi-Mounting Aluminum Frame

Frame : 90S/L
 Output : 1.5 HP
 Frequency : 60 Hz
 Poles : 4
 Full load speed : 1760 rpm
 Slip : 2.22 %
 Voltage : 460 V
 Rated current : 2.05 A
 Locked rotor current : 17.4 A
 Locked rotor current (I_L/I_n) : 8.5
 No-load current : 1.34 A
 Full load torque : 4.42 lb.ft
 Locked rotor torque : 290 %
 Breakdown torque : 390 %
 Design : ---
 Insulation class : F
 Temperature rise : 80 K
 Locked rotor time : 16 s (hot)
 Service factor : 1.25
 Duty cycle : S1
 Ambient temperature : -20°C - +40°C
 Altitude : 1000 m
 Degree of Protection : IP55
 Approximate weight : 37 lb
 Moment of inertia : 0.13052 sq.ft.lb
 Noise level : 49 dB(A)

	D.E.	N.D.E.
Bearings	6205 ZZ	6204 ZZ
Regreasing interval	---	---
Grease amount	---	---

Load	Power factor	Efficiency (%)
100%	0.78	86.5
75%	0.70	84.0
50%	0.57	80.0

Notes:
 Downloaded from <http://dealerselectric.com>
 Generated for Model #00118ET3WAL90S

Performed by

Checked



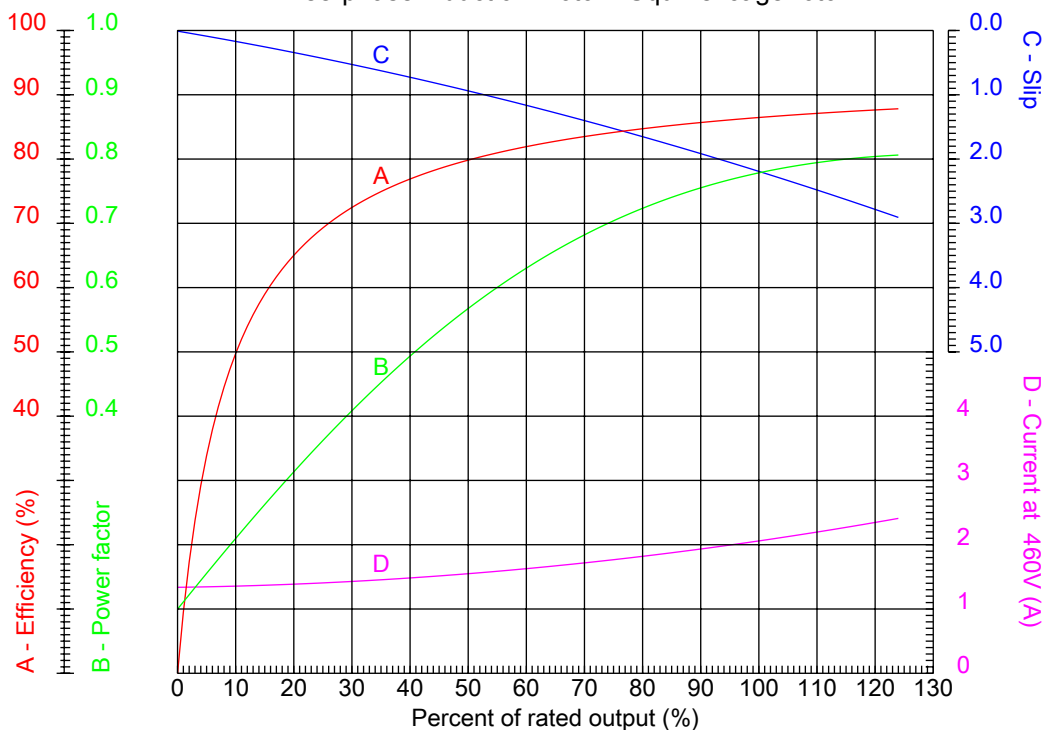
Dealers Industrial Equipment

No.:

Date: 12-SEP-2016

PERFORMANCE CURVES RELATED TO RATED OUTPUT

Three-phase induction motor - Squirrel cage rotor



Customer :
 Product line : Three-Phase: W21 IE3 IEC Tru-Metric - TEFC (IP55) Multi-Mounting Aluminum Frame

Frame : 90S/L	Locked rotor current (I _l /I _n) : 8.5
Output : 1.5 HP	Duty cycle : S1
Frequency : 60 Hz	Service factor : 1.25
Full load speed : 1760 rpm	Design : ---
Voltage : 460 V	Locked rotor torque : 290 %
Rated current : 2.05 A	Breakdown torque : 390 %
Insulation class : F	

Notes:
 Downloaded from <http://dealerselectric.com>
 Generated for Model #00118ET3WAL90S

Performed by

Checked



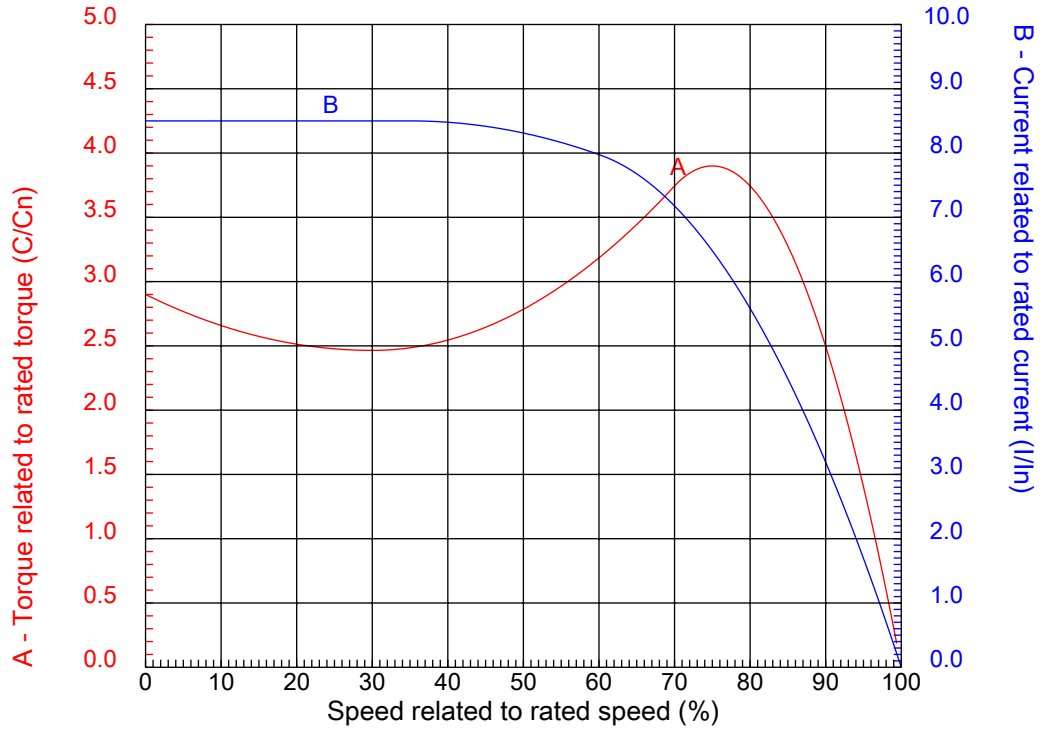
Dealers Industrial Equipment

No.:

Date: 12-SEP-2016

CHARACTERISTIC CURVES RELATED TO SPEED

Three-phase induction motor - Squirrel cage rotor



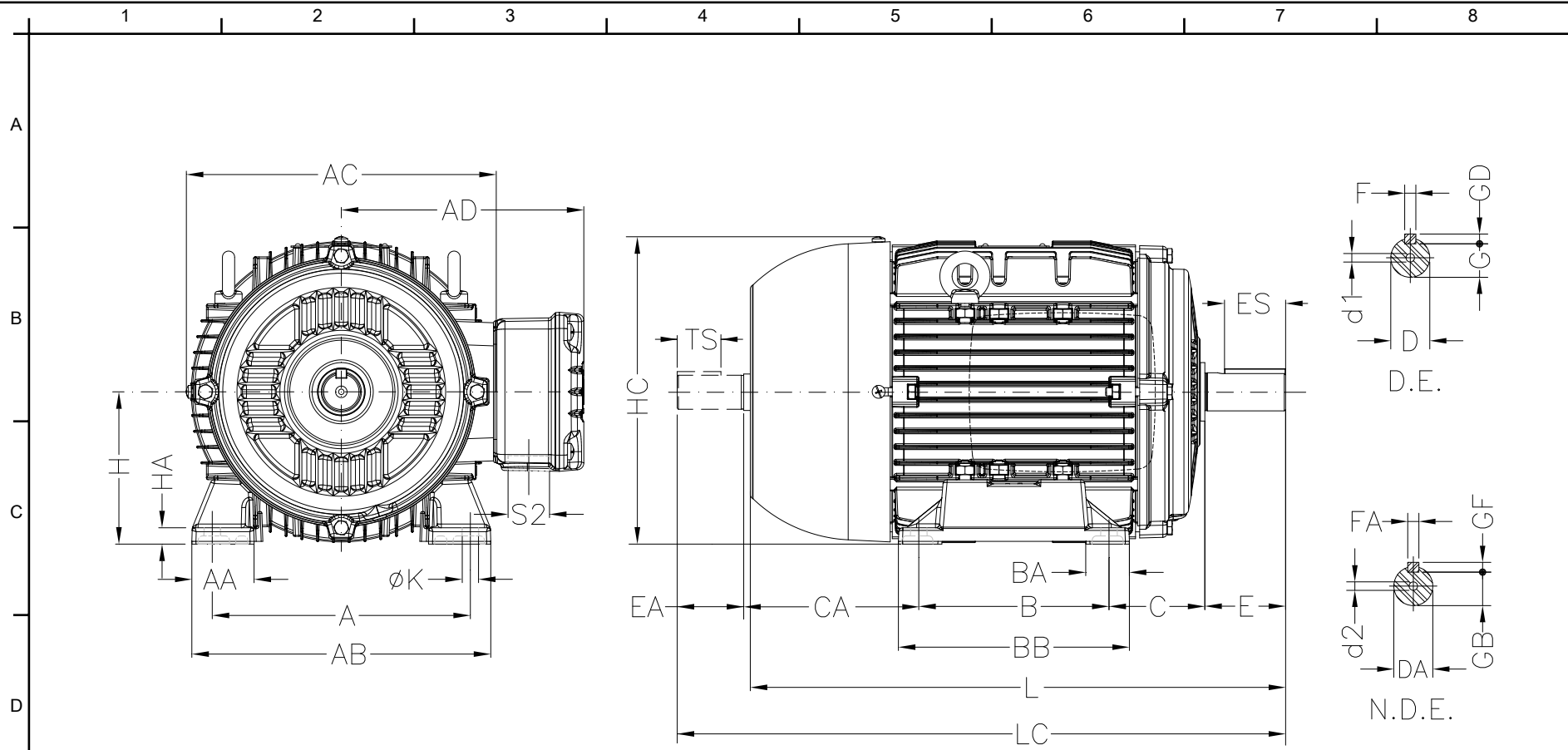
Customer :
Product line : Three-Phase: W21 IE3 IEC Tru-Metric - TEFC (IP55) Multi-Mounting Aluminum Frame

Frame	: 90S/L	Locked rotor current (I/I _n)	: 8.5
Output	: 1.5 HP	Duty cycle	: S1
Frequency	: 60 Hz	Service factor	: 1.25
Full load speed	: 1760 rpm	Design	: ---
Voltage	: 460 V	Locked rotor torque	: 290 %
Rated current	: 2.05 A	Breakdown torque	: 390 %
Insulation class	: F		

Notes:
Downloaded from <http://dealerselectric.com>
Generated for Model #00118ET3WAL90S

Performed by

Checked



Notes: Downloaded from <http://dealerselectric.com>
 Generated for Model #00118ET3WAL90S

A	AA	AB	AC	AD
140	35	170	179	155
B	BA	BB	C	D
100/125	24	146	56	24j6
E	ES	F	G	GD
50	36	8	20	7
DA	EA	TS	FA	GB
16j6	40	28	5	13
GF	H	HA	HC	HD
5	90	9	177	246
K	L	LC	S2	d1
10	329	375	2xM25x1.5	DM8
d2				
DM6				

Performed by:	
Checked:	
Customer:	
Three-Phase: W21 IE3 IEC Tru-Metric - TEFC (IP55) Multi-Mounting Aluminum	
Three-phase induction motor Frame 90S/L - IP55	12-SEP-2016

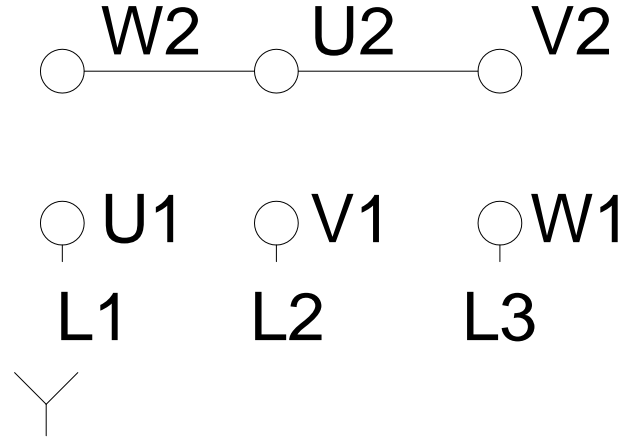
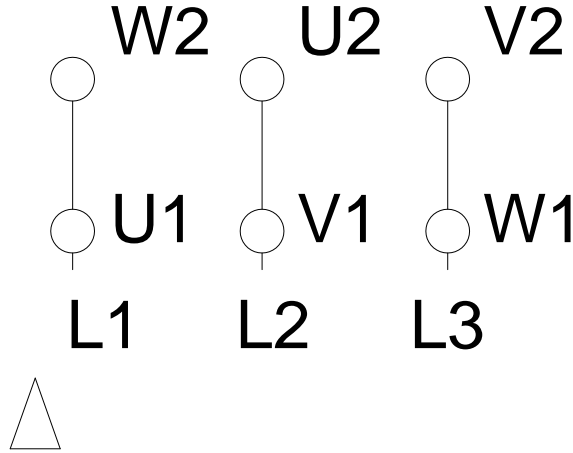


1 2 3 4 5 6 7 8

LOW VOLTAGE

HIGH VOLTAGE

A
B
C
D
E
F



Notes: Downloaded from http://dealerselectric.com Generated for Model #00118ET3WAL90S		
Performed by:		
Checked:		
Customer:		
Three-Phase: W21 IE3 IEC Tru-Metric - TEFC (IP55) Multi-Mounting Aluminum		
Three-phase induction motor Frame 90S/L - IP55	12-SEP-2016	