



Dealers Industrial Equipment

No.:

Date: 12-SEP-2016

Customer :

TECHNICAL PROPOSAL

Three-phase induction motor - Squirrel cage rotor

Product line : Three Phase: W01 (Rolled Steel) - TEFC - NEMA Premium Efficiency

Catalog Number : 00118ET3E143T-S

List Price : \$459

Notes:

Downloaded from <http://dealerselectric.com>

Generated for Model #00118ET3E143T-S

Performed by:

Checked:



Dealers Industrial Equipment

No.:

Date: 12-SEP-2016

DATA SHEET Three-phase induction motor - Squirrel cage rotor

Customer :
 Product line : Three Phase: W01 (Rolled Steel) - TEFC - NEMA Premium Efficiency

Frame : 143/5T
 Output : 1 HP
 Frequency : 60 Hz
 Poles : 4
 Full load speed : 1765 rpm
 Slip : 1.94 %
 Voltage : 208-230/460 V
 Rated current : 3.25-2.94/1.47 A
 Locked rotor current : 25.3/12.6 A
 Locked rotor current (I_L/I_n) : 8.6
 No-load current : 1.78/0.890 A
 Full load torque : 2.94 lb.ft
 Locked rotor torque : 280 %
 Breakdown torque : 300 %
 Design : B
 Insulation class : F
 Temperature rise : 80 K
 Locked rotor time : 19 s (hot)
 Service factor : 1.15
 Duty cycle : S1
 Ambient temperature : -20°C - +40°C
 Altitude : 1000 m
 Degree of Protection : IP55
 Approximate weight : 38 lb
 Moment of inertia : 0.12316 sq.ft.lb
 Noise level : 52 dB(A)

| | D.E. | N.D.E. |
|---------------------|---------|---------|
| Bearings | 6205 ZZ | 6203 ZZ |
| Regreasing interval | --- | --- |
| Grease amount | --- | --- |

| Load | Power factor | Efficiency (%) |
|------|--------------|----------------|
| 100% | 0.75 | 85.5 |
| 75% | 0.66 | 84.0 |
| 50% | 0.52 | 82.5 |

Notes:
 Downloaded from <http://dealerselectric.com>
 Generated for Model #00118ET3E143T-S

Performed by

Checked



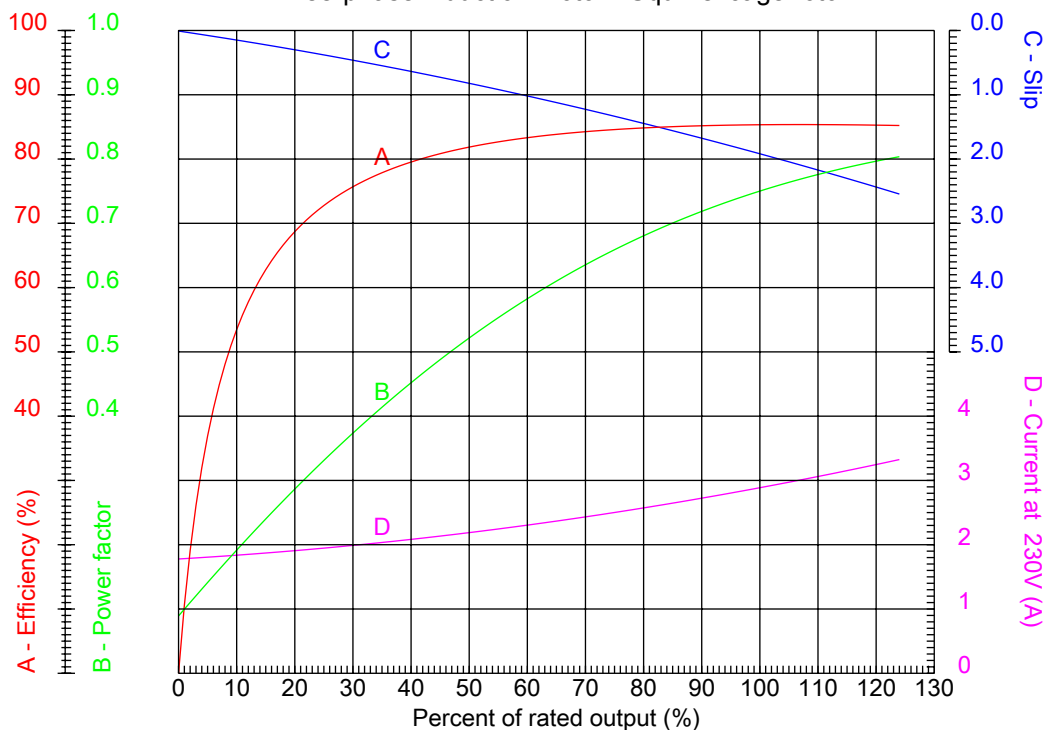
Dealers Industrial Equipment

No.:

Date: 12-SEP-2016

PERFORMANCE CURVES RELATED TO RATED OUTPUT

Three-phase induction motor - Squirrel cage rotor



Customer :
 Product line : Three Phase: W01 (Rolled Steel) - TEFC - NEMA Premium Efficiency

| | | | |
|------------------|--------------------|--|---------|
| Frame | : 143/5T | Locked rotor current (I _l /I _n) | : 8.6 |
| Output | : 1 HP | Duty cycle | : S1 |
| Frequency | : 60 Hz | Service factor | : 1.15 |
| Full load speed | : 1765 rpm | Design | : B |
| Voltage | : 208-230/460 V | Locked rotor torque | : 280 % |
| Rated current | : 3.25-2.94/1.47 A | Breakdown torque | : 300 % |
| Insulation class | : F | | |

Notes:
 Downloaded from <http://dealerselectric.com>
 Generated for Model #00118ET3E143T-S

Performed by

Checked



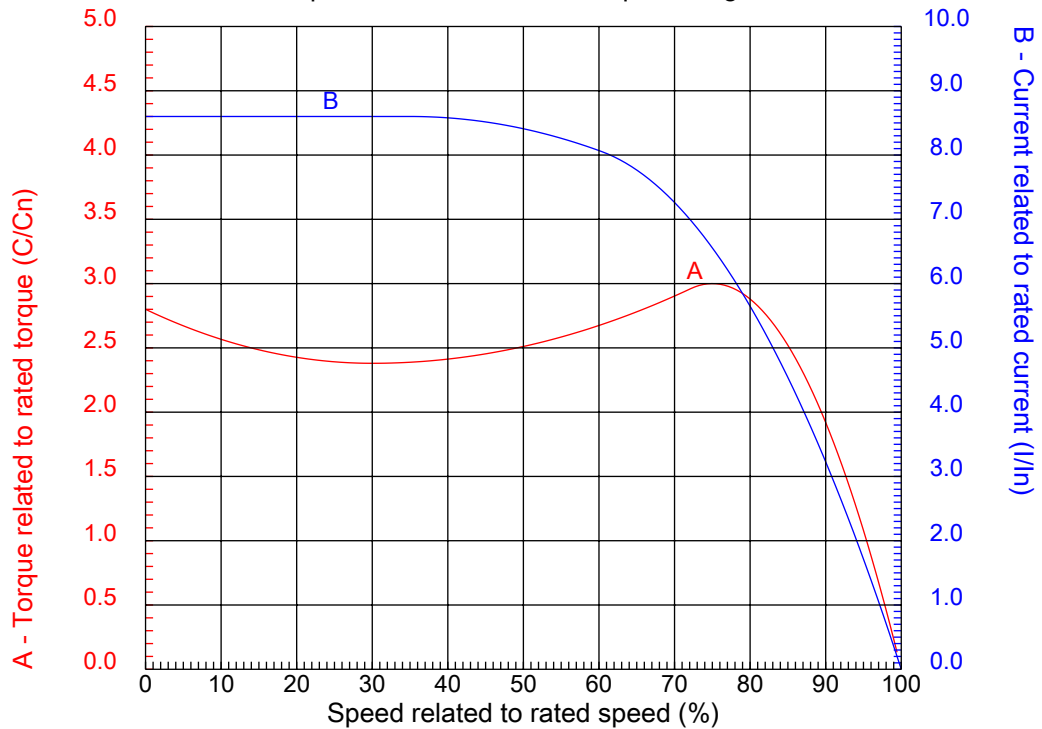
Dealers Industrial Equipment

No.:

Date: 12-SEP-2016

CHARACTERISTIC CURVES RELATED TO SPEED

Three-phase induction motor - Squirrel cage rotor



Customer :
Product line : Three Phase: W01 (Rolled Steel) - TEFC - NEMA Premium Efficiency

| | | | |
|------------------|--------------------|--|---------|
| Frame | : 143/5T | Locked rotor current (I _l /I _n) | : 8.6 |
| Output | : 1 HP | Duty cycle | : S1 |
| Frequency | : 60 Hz | Service factor | : 1.15 |
| Full load speed | : 1765 rpm | Design | : B |
| Voltage | : 208-230/460 V | Locked rotor torque | : 280 % |
| Rated current | : 3.25-2.94/1.47 A | Breakdown torque | : 300 % |
| Insulation class | : F | | |

Notes:
Downloaded from <http://dealerselectric.com>
Generated for Model #00118ET3E143T-S

Performed by

Checked

1 2 3 4 5 6 7 8

A

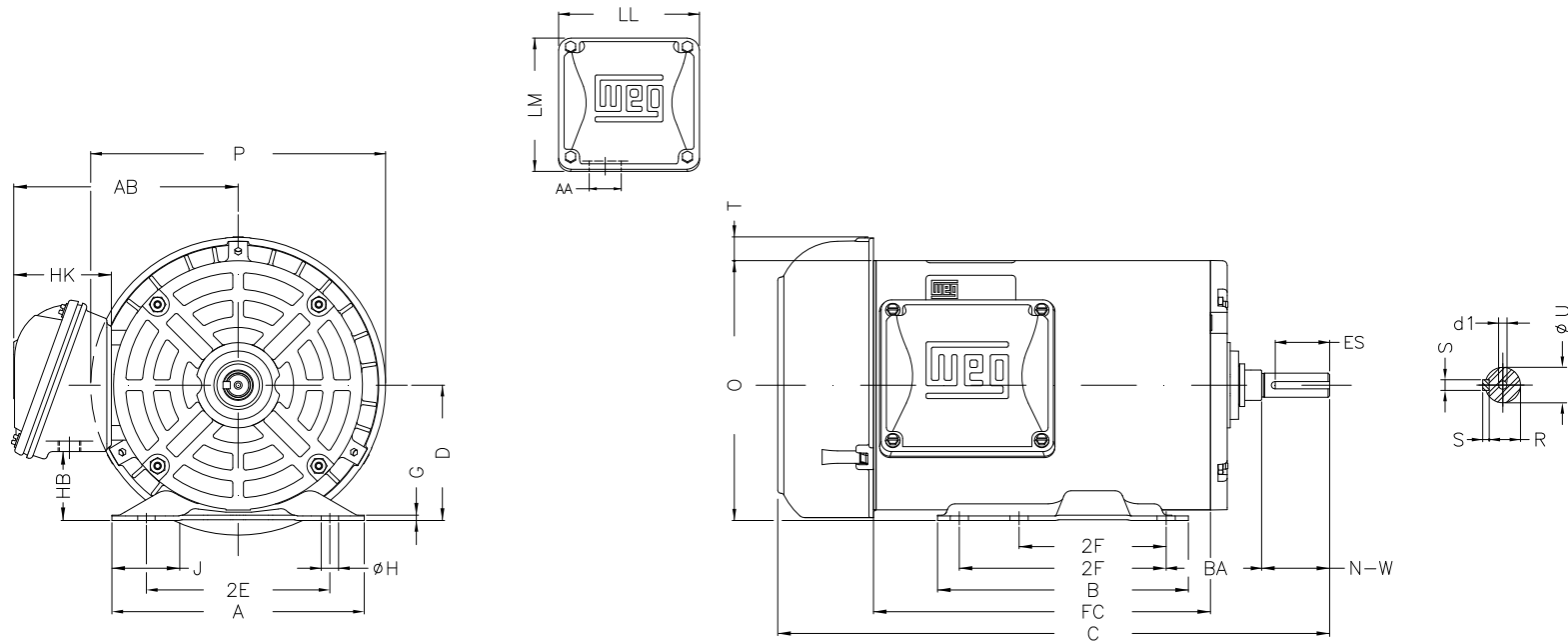
B

C

D

E

F



Notes: Downloaded from <http://dealerselectric.com>
Generated for Model #00118ET3E143T-S

Performed by:

Checked:

Customer:

Three Phase: W01 (Rolled Steel) - TEFC - NEMA Premium Efficiency

Three-phase induction motor
Frame 143/5T - IP55

12-SEP-2016



| | | | | |
|-------|--------|-------------|--------|--------|
| P | AB | J | 2E | A |
| 7.638 | 5.882 | 1.732 | 5.500 | 6.535 |
| H | G | HB | HK | T |
| 0.343 | 0.120 | 1.783 | 2.638 | 0.603 |
| O | FC | 2F | B | C |
| 6.724 | 7.874 | 4.000/5.000 | 6.496 | 13.583 |
| BA | N-W | ES | d1 | S |
| 2.250 | 2.250 | 1.417 | A 3,15 | 0.187 |
| U | AA | depth | R | LL |
| 0.875 | 1.118" | 0.187 | 0.771 | 4.543 |
| LM | BB | D | CH | |
| 4.106 | 0.603 | 3.500 | 1.377 | |

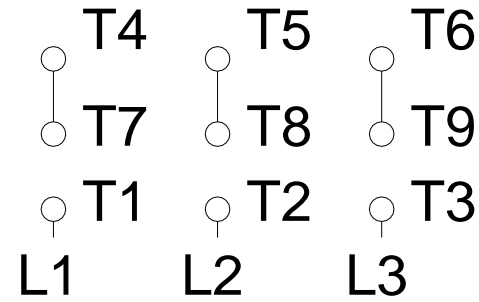
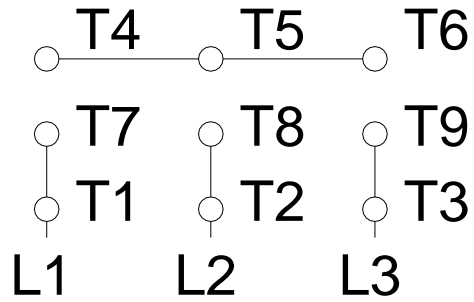
1 2 3 4 5 6 7 8

A

LOW VOLTAGE

HIGH VOLTAGE

B



C



D

E

F

Notes: Downloaded from <http://dealerselectric.com>
 Generated for Model #00118ET3E143T-S

Performed by:

Checked:

Customer:

Three Phase: W01 (Rolled Steel) - TEFC - NEMA Premium Efficiency

Three-phase induction motor
 Frame 143/5T - IP55

12-SEP-2016

