



Dealers Industrial Equipment

No.:

Date: 12-SEP-2016

Customer :

TECHNICAL PROPOSAL

## Single-phase induction motor - Squirrel cage rotor

Product line : Farm Duty Motors : TEFC (IP55) - Single-Phase

Catalog Number : 00118ES1RFD143T

List Price : \$400

Notes:

Downloaded from <http://dealerselectric.com>

Generated for Model #00118ES1RFD143T

Performed by:

Checked:



# Dealers Industrial Equipment

No.:

Date: 12-SEP-2016

## DATA SHEET Single-phase induction motor - Squirrel cage rotor

Customer :  
 Product line : Farm Duty Motors : TEFC (IP55) - Single-Phase

Frame : F143T  
 Output : 1 HP  
 Frequency : 60 Hz  
 Poles : 4  
 Full load speed : 1750 rpm  
 Slip : 2.78 %  
 Voltage : 115/230 V  
 Rated current : 14.0/7.00 A  
 Locked rotor current : 91.0/45.5 A  
 Locked rotor current (I<sub>L</sub>/I<sub>n</sub>) : 6.5  
 No-load current : 11.5/5.75 A  
 Full load torque : 2.96 lb.ft  
 Locked rotor torque : 320 %  
 Breakdown torque : 270 %  
 Design : ---  
 Insulation class : B  
 Temperature rise : 80 K  
 Locked rotor time : 6 s (hot)  
 Service factor : 1.15  
 Duty cycle : S1  
 Ambient temperature : -20°C - +40°C  
 Altitude : 1000 m  
 Degree of Protection : IP55  
 Approximate weight : 37 lb  
 Moment of inertia : 0.13384 sq.ft.lb  
 Noise level : ---

|                     | D.E.    | N.D.E.  |
|---------------------|---------|---------|
| Bearings            | 6205 ZZ | 6203 ZZ |
| Regreasing interval | ---     | ---     |
| Grease amount       | ---     | ---     |

| Load | Power factor | Efficiency (%) |
|------|--------------|----------------|
| 100% | 0.65         | 70.3           |
| 75%  | 0.56         | 67.0           |
| 50%  | 0.45         | 60.0           |

Notes:  
 Downloaded from <http://dealerselectric.com>  
 Generated for Model #00118ES1RFD143T

Performed by

Checked



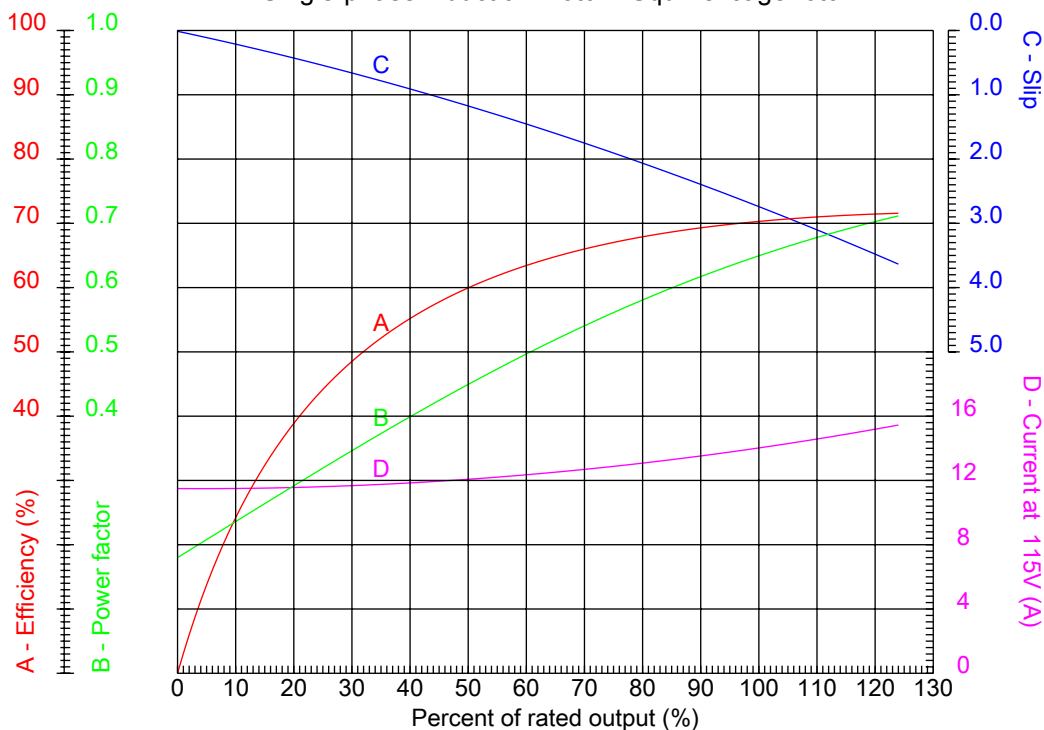
# Dealers Industrial Equipment

No.:

Date: 12-SEP-2016

## PERFORMANCE CURVES RELATED TO RATED OUTPUT

Single-phase induction motor - Squirrel cage rotor



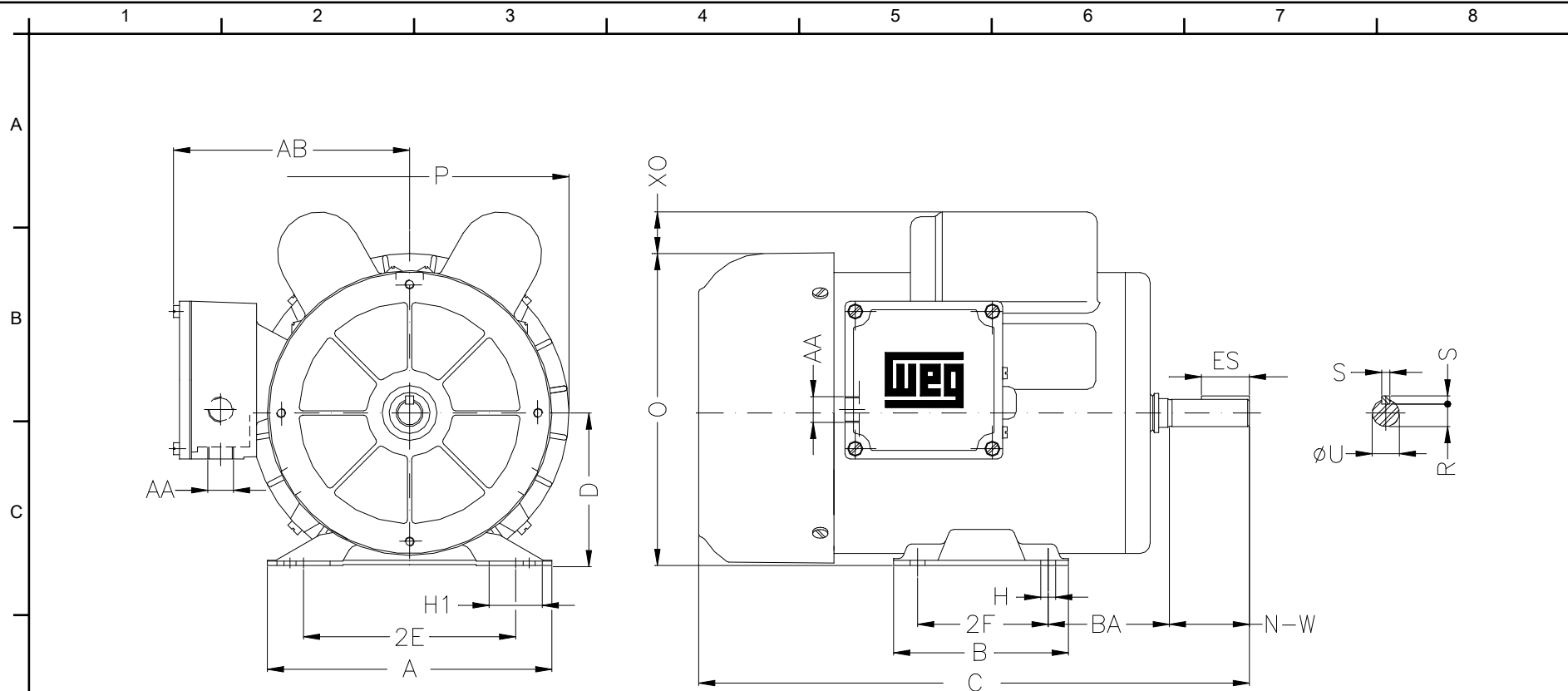
Customer :  
 Product line : Farm Duty Motors : TEFC (IP55) - Single-Phase

|                  |               |  |         |
|------------------|---------------|--|---------|
| Frame            | : F143T       | Locked rotor current (I <sub>l</sub> /I <sub>n</sub> ) | : 6.5   |
| Output           | : 1 HP        | Duty cycle   | : S1    |
| Frequency        | : 60 Hz       | Service factor   | : 1.15  |
| Full load speed  | : 1750 rpm    | Design   | : ---   |
| Voltage          | : 115/230 V   | Locked rotor torque                                    | : 320 % |
| Rated current    | : 14.0/7.00 A | Breakdown torque                                       | : 270 % |
| Insulation class | : B           |  |         |

Notes:  
 Downloaded from <http://dealerselectric.com>  
 Generated for Model #00118ES1RFD143T

Performed by

Checked



Notes: Downloaded from <http://dealerselectric.com>  
 Generated for Model #00118ES1RFD143T

Performed by:

Checked:

Customer:

Farm Duty Motors : TEFC (IP55) - Single-Phase

|             |            |             |            |            |
|-------------|------------|-------------|------------|------------|
| 2E<br>4.874 | H<br>0.342 | BA<br>2.250 | A<br>6.535 | D<br>3.500 |
| J<br>1.220  | K<br>4.000 | O<br>7.165  | P<br>7.323 |            |

Single-phase induction motor  
 Frame F143T - IP55

12-SEP-2016

