



Dealers Industrial Equipment

No.:

Date: 12-SEP-2016

Customer :

TECHNICAL PROPOSAL

Single-phase induction motor - Squirrel cage rotor

Product line : Close Coupled Pump : Single-Phase - "JP" Type - TEFC - Standard Efficiency

Catalog Number : 00118ES1E143JP

List Price : \$687

Notes:

Downloaded from <http://dealerselectric.com>

Generated for Model #00118ES1E143JP

Performed by:

Checked:



# Dealers Industrial Equipment

No.:

Date: 12-SEP-2016

## DATA SHEET Single-phase induction motor - Squirrel cage rotor

Customer :  
 Product line : Close Coupled Pump : Single-Phase - "JP" Type - TEFC - Standard Efficiency

Frame : 143JP  
 Output : 1 HP  
 Frequency : 60 Hz  
 Poles : 4  
 Full load speed : 1760 rpm  
 Slip : 2.22 %  
 Voltage : 208-230/460 V  
 Rated current : 5.30-5.50/2.75 A  
 Locked rotor current : 44.0/22.0 A  
 Locked rotor current (I<sub>L</sub>/I<sub>n</sub>) : 8.0  
 No-load current : 4.20/2.10 A  
 Full load torque : 2.94 lb.ft  
 Locked rotor torque : 300 %  
 Breakdown torque : 320 %  
 Design : ---  
 Insulation class : F  
 Temperature rise : 80 K  
 Locked rotor time : 6 s (hot)  
 Service factor : 1.15  
 Duty cycle : S1  
 Ambient temperature : -20°C - +40°C  
 Altitude : 1000 m  
 Degree of Protection : IP55  
 Approximate weight : 51 lb  
 Moment of inertia : 0.11675 sq.ft.lb  
 Noise level : ---

	D.E.	N.D.E.	Load	Power factor	Efficiency (%)
Bearings	6206 ZZ	6203 ZZ	100%	0.80	74.2
Regreasing interval	---	---	75%	0.00	00.0
Grease amount	---	---	50%	0.00	00.0

Notes:  
 Downloaded from <http://dealerselectric.com>  
 Generated for Model #00118ES1E143JP

Performed by

Checked



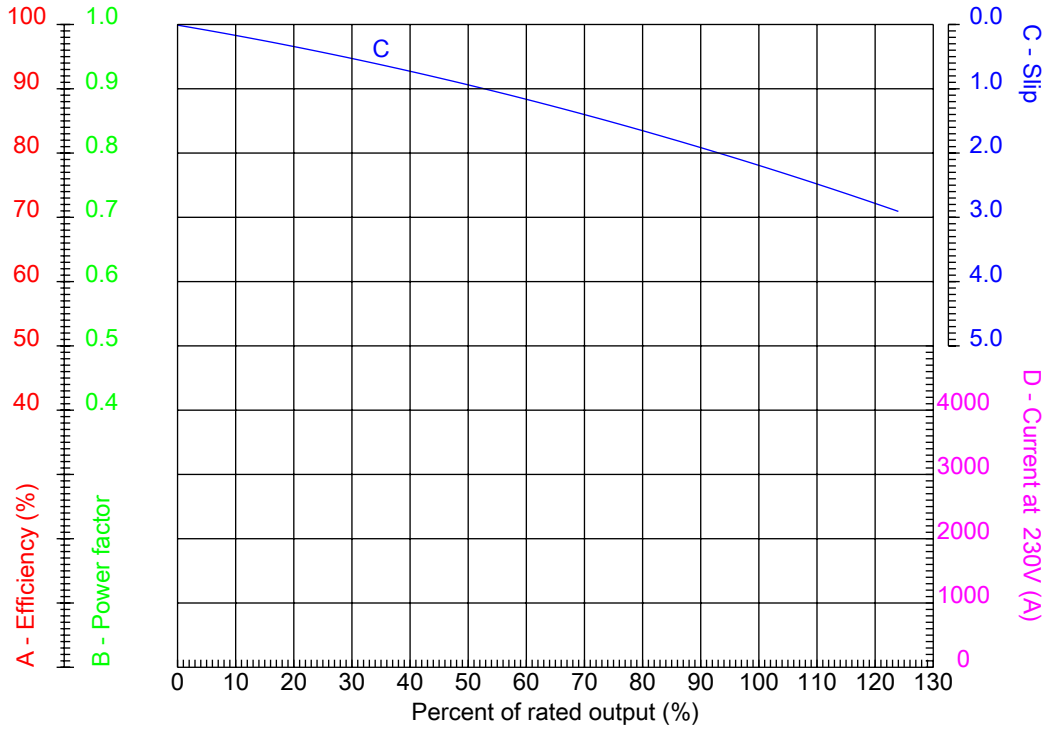
# Dealers Industrial Equipment

No.:

Date: 12-SEP-2016

## PERFORMANCE CURVES RELATED TO RATED OUTPUT

Single-phase induction motor - Squirrel cage rotor



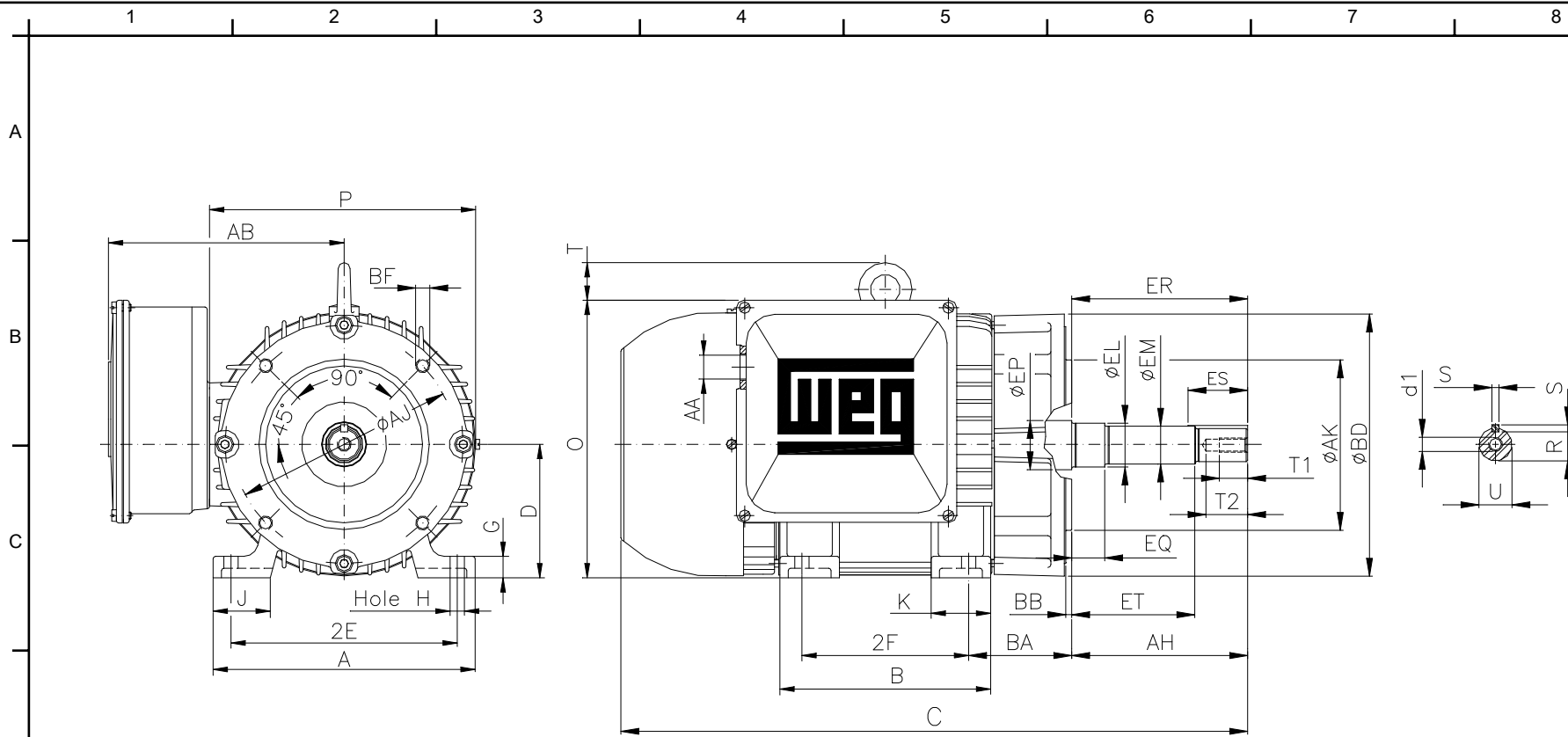
Customer :  
 Product line : Close Coupled Pump : Single-Phase - "JP" Type - TEFC - Standard Efficiency

Frame	: 143JP	Locked rotor current (I <sub>l</sub> /I <sub>n</sub> )	: 8.0
Output	: 1 HP	Duty cycle	: S1
Frequency	: 60 Hz	Service factor	: 1.15
Full load speed	: 1760 rpm	Design	: ---
Voltage	: 208-230/460 V	Locked rotor torque	: 300 %
Rated current	: 5.30-5.50/2.75 A	Breakdown torque	: 320 %
Insulation class	: F		

Notes:  
 Downloaded from <http://dealerselectric.com>  
 Generated for Model #00118ES1E143JP

Performed by

Checked



Notes: Downloaded from <http://dealerselectric.com>  
Generated for Model #00118ES1E143JP

2E 5.500	2F 4.000	H 0.344	BA 2.560	A 6.457
B 5.157	D 3.500	G 0.547	J 1.496	K 1.654
O 7.000	P 7.047	AB 6.968	AA NPT 3/4"	ER 7.319
EQ 1.563	ET 5.941	U 0.874	EM 1.000	EL 1.156
EP 1.179	S 0.187	R 0.768	ES 1.654	d1 EUNC 3/8"-16
t1 0.748	t2 1.102	C 18.519	Flange FC-149	AJ 5.874
AK 4.500	BD 6.496	BF UNC 3/8"x16	BB 0.157	AH 7.319

Performed by:  
Checked:  
Customer:

Close Coupled Pump : Single-Phase - "JP" Type - TEFC - Standard Efficiency

Single-phase induction motor  
Frame 143JP - IP55

12-SEP-2016

