



Dealers Industrial Equipment

No.:

Date: 12-SEP-2016

Customer :

TECHNICAL PROPOSAL

Single-phase induction motor - Squirrel cage rotor

Product line : Close Coupled Pump : Single-Phase - "JM" Type - TEFC - Standard Efficiency

Catalog Number : 00118ES1E143JM

List Price : \$687

Notes:

Downloaded from <http://dealerselectric.com>

Generated for Model #00118ES1E143JM

Performed by:

Checked:



Dealers Industrial Equipment

No.:

Date: 12-SEP-2016

DATA SHEET Single-phase induction motor - Squirrel cage rotor

Customer :
 Product line : Close Coupled Pump : Single-Phase - "JM" Type - TEFC - Standard Efficiency

Frame : 143JM
 Output : 1 HP
 Frequency : 60 Hz
 Poles : 4
 Full load speed : 1760 rpm
 Slip : 2.22 %
 Voltage : 208-230/460 V
 Rated current : 5.25-5.30/2.65 A
 Locked rotor current : 43.5/21.7 A
 Locked rotor current (I_L/I_n) : 8.2
 No-load current : 4.00/2.00 A
 Full load torque : 2.94 lb.ft
 Locked rotor torque : 250 %
 Breakdown torque : 320 %
 Design : ---
 Insulation class : B
 Temperature rise : 80 K
 Locked rotor time : 6 s (hot)
 Service factor : 1.15
 Duty cycle : S1
 Ambient temperature : -20°C - +40°C
 Altitude : 1000 m
 Degree of Protection : IP55
 Approximate weight : 51 lb
 Moment of inertia : 0.11675 sq.ft.lb
 Noise level : ---

	D.E.	N.D.E.	Load	Power factor	Efficiency (%)
Bearings	6206 ZZ	6203 ZZ	100%	0.82	75.0
Regreasing interval	---	---	75%	0.75	71.0
Grease amount	---	---	50%	0.65	62.0

Notes:
 Downloaded from <http://dealerselectric.com>
 Generated for Model #00118ES1E143JM

Performed by

Checked



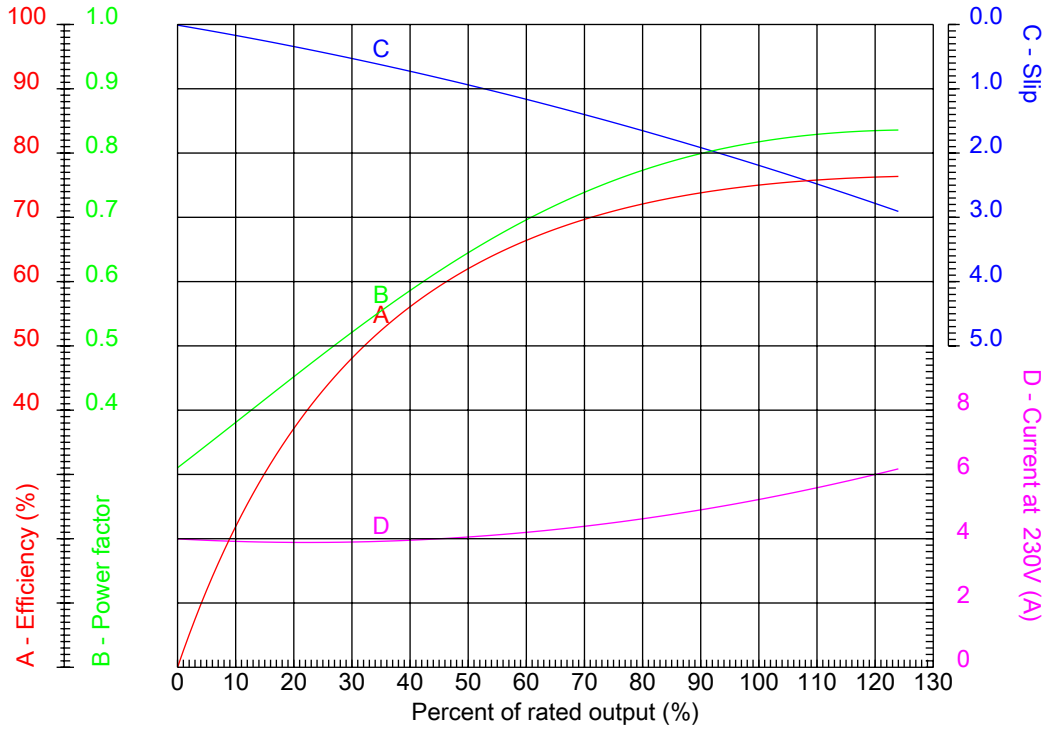
Dealers Industrial Equipment

No.:

Date: 12-SEP-2016

PERFORMANCE CURVES RELATED TO RATED OUTPUT

Single-phase induction motor - Squirrel cage rotor



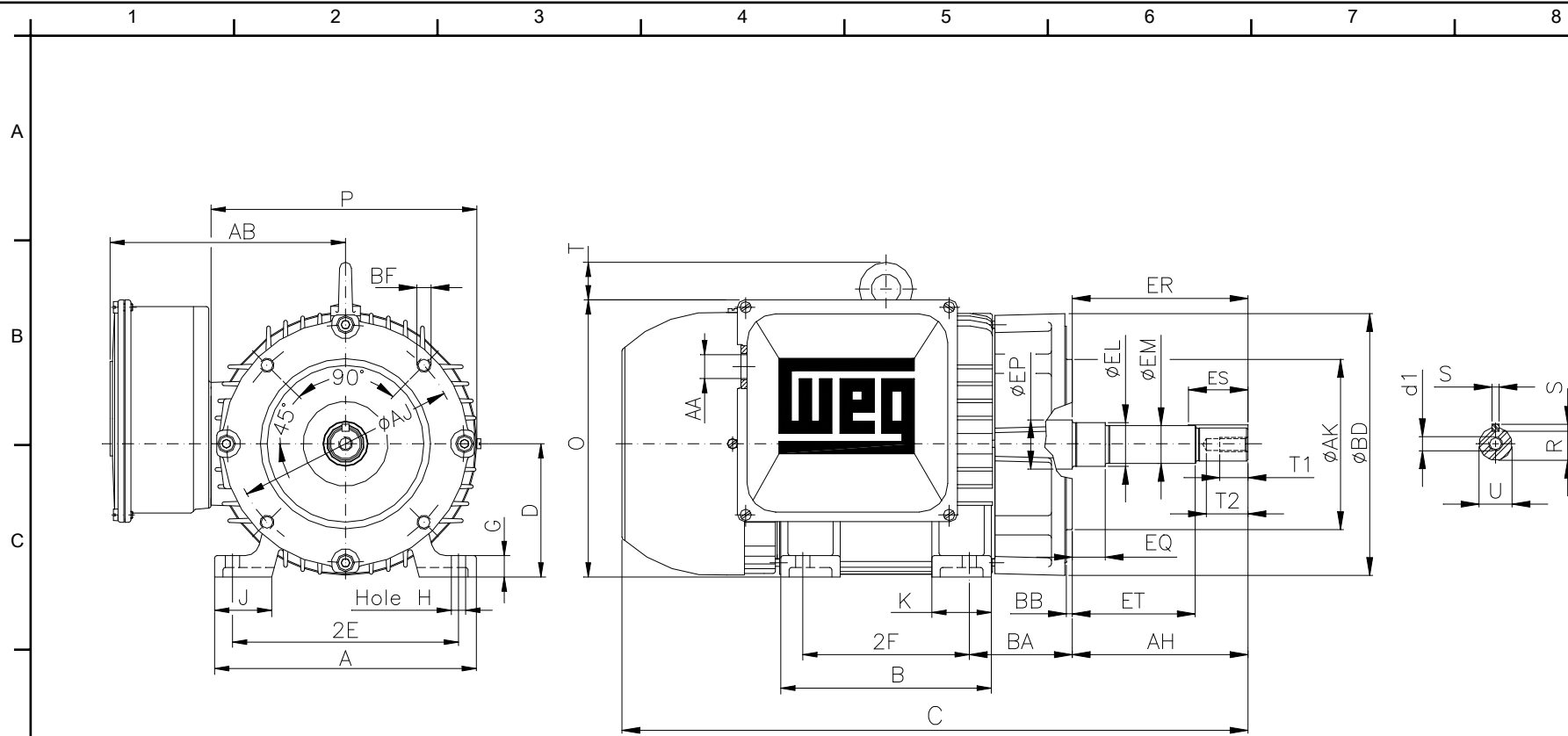
Customer :
 Product line : Close Coupled Pump : Single-Phase - "JM" Type - TEFC - Standard Efficiency

Frame	: 143JM	Locked rotor current (I _l /I _n)	: 8.2
Output	: 1 HP	Duty cycle	: S1
Frequency	: 60 Hz	Service factor	: 1.15
Full load speed	: 1760 rpm	Design	: ---
Voltage	: 208-230/460 V	Locked rotor torque	: 250 %
Rated current	: 5.25-5.30/2.65 A	Breakdown torque	: 320 %
Insulation class	: B		

Notes:
 Downloaded from <http://dealerselectric.com>
 Generated for Model #00118ES1E143JM

Performed by

Checked



Notes: Downloaded from <http://dealerselectric.com>
Generated for Model #00118ES1E143JM

2E 5.500	2F 4.000	H 0.344	BA 2.560	A 6.457
B 5.157	D 3.500	G 0.547	J 1.496	K 1.654
O 7.000	P 7.047	AB 6.968	AA NPT 3/4"	ER 4.258
EQ 0.630	ET 2.880	U 0.874	EM 1.000	EL 1.156
EP 1.179	S 0.187	R 0.768	ES 1.654	d1 EUNC 3/8"-16
t1 0.748	t2 1.102	C 15.866	Flange FC-149	AJ 5.874
AK 4.500	BD 6.496	BF UNC 3/8"x16	BB 0.157	AH 4.258

Performed by:
Checked:
Customer:

Close Coupled Pump : Single-Phase - "JM" Type - TEFC - Standard Efficiency

Single-phase induction motor
Frame 143JM - IP55

12-SEP-2016

