



Dealers Industrial Equipment

No.:

Date: 12-SEP-2016

Customer :

TECHNICAL PROPOSAL

## Single-phase induction motor - Squirrel cage rotor

Product line : Single Phase: W01 (Rolled Steel) - TEFC - Standard Efficiency

Catalog Number : 00118ES1B56CFL-S

List Price : \$424

Notes:

Downloaded from <http://dealerselectric.com>

Generated for Model #00118ES1B56CFL-S

Performed by:

Checked:



# Dealers Industrial Equipment

No.:

Date: 12-SEP-2016

## DATA SHEET Single-phase induction motor - Squirrel cage rotor

Customer :  
 Product line : Single Phase: W01 (Rolled Steel) - TEFC - Standard Efficiency

Frame : 56  
 Output : 1 HP  
 Frequency : 60 Hz  
 Poles : 4  
 Full load speed : 1745 rpm  
 Slip : 3.06 %  
 Voltage : 115/208-230 V  
 Rated current : 13.6/7.52-6.80 A  
 Locked rotor current : 91.1/45.6 A  
 Locked rotor current (I<sub>L</sub>/I<sub>n</sub>) : 6.7  
 No-load current : 9.60/4.80 A  
 Full load torque : 2.97 lb.ft  
 Locked rotor torque : 280 %  
 Breakdown torque : 270 %  
 Design : ---  
 Insulation class : F  
 Temperature rise : 80 K  
 Locked rotor time : 8 s (hot)  
 Service factor : 1.15  
 Duty cycle : S1  
 Ambient temperature : -20°C - +40°C  
 Altitude : 1000 m  
 Degree of Protection : IP55  
 Approximate weight : 33 lb  
 Moment of inertia : 0.10370 sq.ft.lb  
 Noise level : ---

	D.E.	N.D.E.
Bearings	6204 ZZ	6202 ZZ
Regreasing interval	---	---
Grease amount	---	---

Load	Power factor	Efficiency (%)
100%	0.68	71.0
75%	0.60	68.0
50%	0.48	62.0

Notes:  
 Downloaded from <http://dealerselectric.com>  
 Generated for Model #00118ES1B56CFL-S

Performed by

Checked



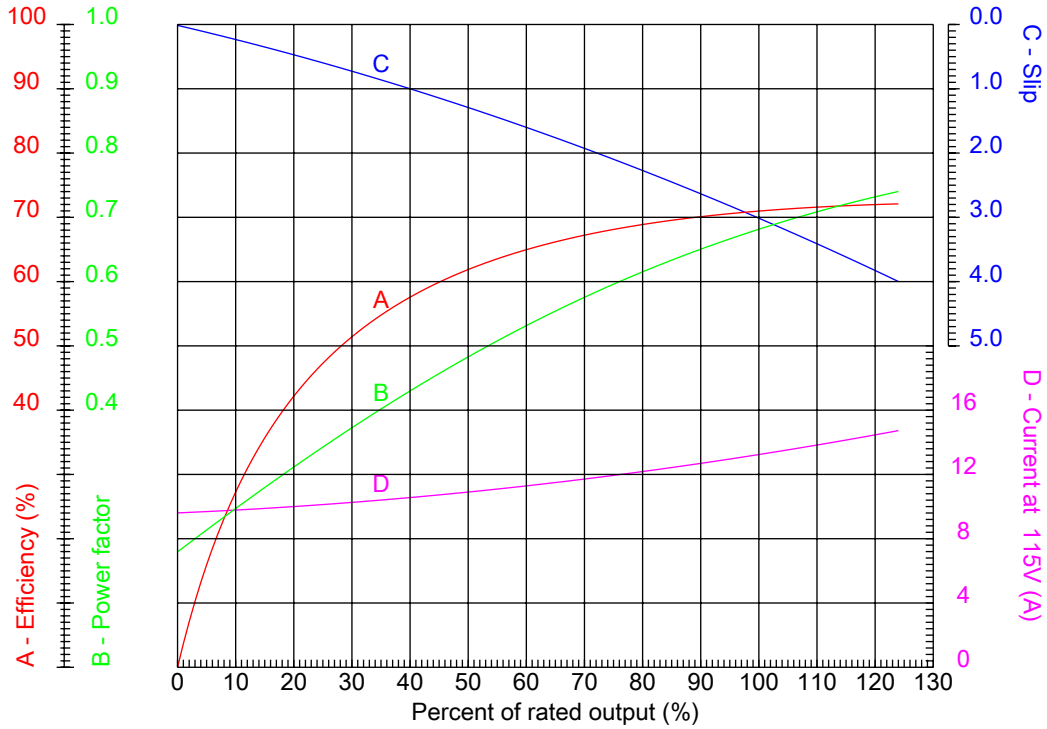
# Dealers Industrial Equipment

No.:

Date: 12-SEP-2016

## PERFORMANCE CURVES RELATED TO RATED OUTPUT

Single-phase induction motor - Squirrel cage rotor



Customer :  
 Product line : Single Phase: W01 (Rolled Steel) - TEFC - Standard Efficiency

Frame	: 56	Locked rotor current (I <sub>L</sub> /I <sub>n</sub> )	: 6.7
Output	: 1 HP	Duty cycle	: S1
Frequency	: 60 Hz	Service factor	: 1.15
Full load speed	: 1745 rpm	Design	: ---
Voltage	: 115/208-230 V	Locked rotor torque	: 280 %
Rated current	: 13.6/7.52-6.80 A	Breakdown torque	: 270 %
Insulation class	: F		

Notes:  
 Downloaded from <http://dealerselectric.com>  
 Generated for Model #00118ES1B56CFL-S

Performed by

Checked

1 2 3 4 5 6 7 8

A

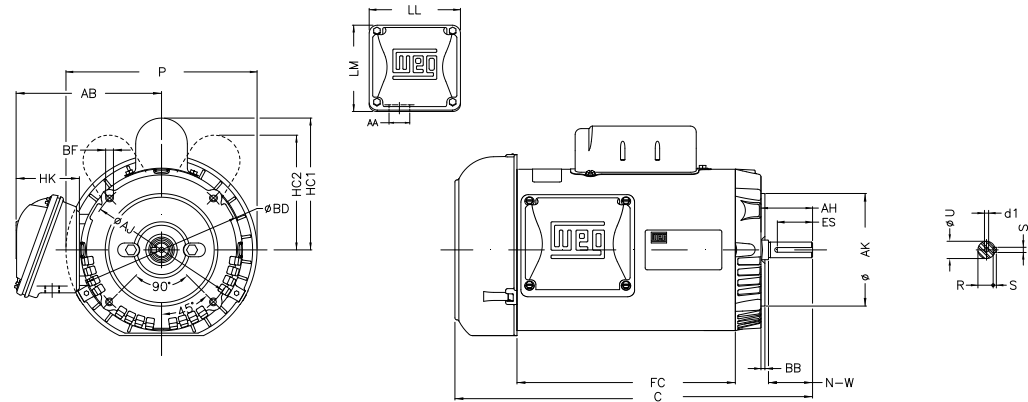
B

C

D

E

F



Notes: Downloaded from <http://dealerselectric.com>  
Generated for Model #00118ES1B56CFL-S

Performed by:

Checked:

Customer:

Single Phase: W01 (Rolled Steel) - TEFC - Standard Efficiency

Single-phase induction motor  
Frame 56 - IP55

12-SEP-2016



P 7.638	AB 5.882	HK 2.638	FC 8.268	C 13.902
N-W 1.874	ES 1.417	d1 A 3.15	S 0.187	U 0.625
AA 0.881"	depth 0.187	R 0.517	LL 4.543	LM 4.106
CH 1.377	HC1 5.122	Flange FC-149	AJ 5.874	AK 4.500
BD 6.450	BF UNC 3/8"x16-2B	BB 0.157	AH 2.062	