



Dealers Industrial Equipment

No.:

Date: 12-SEP-2016

Customer :

TECHNICAL PROPOSAL

Three-phase induction motor - Squirrel cage rotor

Product line : W22 High Efficiency

Catalog Number : 00118EP3ER143TC-W22

List Price : \$440

Notes:

Downloaded from <http://dealerselectric.com>

Generated for Model #00118EP3ER143TC-W22

Performed by:

Checked:



Dealers Industrial Equipment

No.:

Date: 12-SEP-2016

DATA SHEET

Three-phase induction motor - Squirrel cage rotor

Customer :
 Product line : W22 High Efficiency

Frame : 143T
 Output : 1 HP
 Frequency : 60 Hz
 Poles : 4
 Full load speed : 1770 rpm
 Slip : 1.67 %
 Voltage : 230/460 V
 Rated current : 3.30/1.65 A
 Locked rotor current : 28.4/14.2 A
 Locked rotor current (I_L/I_n) : 8.6
 No-load current : 2.64/1.32 A
 Full load torque : 2.93 lb.ft
 Locked rotor torque : 280 %
 Breakdown torque : 350 %
 Design : B
 Insulation class : F
 Temperature rise : 80 K
 Locked rotor time : 13 s (hot)
 Service factor : 1.25
 Duty cycle : S1
 Ambient temperature : -20°C - +40°C
 Altitude : 1000 m
 Degree of Protection : IP55
 Approximate weight : 37 lb
 Moment of inertia : 0.09112 sq.ft.lb
 Noise level : 51 dB(A)

	D.E.	N.D.E.
Bearings	6205 ZZ	6204 ZZ
Regreasing interval	---	---
Grease amount	---	---

Load	Power factor	Efficiency (%)
100%	0.69	82.5
75%	0.60	82.5
50%	0.48	78.5

Notes:
 Downloaded from <http://dealerselectric.com>
 Generated for Model #00118EP3ER143TC-W22

Performed by

Checked



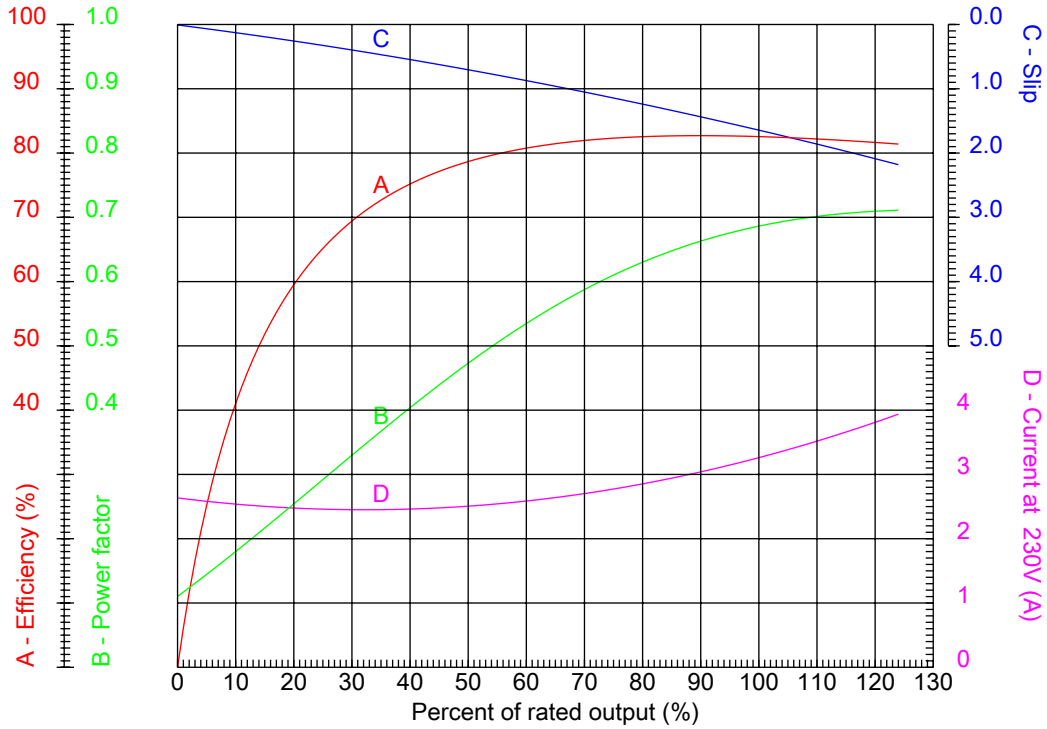
Dealers Industrial Equipment

No.:

Date: 12-SEP-2016

PERFORMANCE CURVES RELATED TO RATED OUTPUT

Three-phase induction motor - Squirrel cage rotor



Customer :
 Product line : W22 High Efficiency

Frame	: 143T	Locked rotor current (I _l /I _n)	: 8.6
Output	: 1 HP	Duty cycle	: S1
Frequency	: 60 Hz	Service factor	: 1.25
Full load speed	: 1770 rpm	Design	: B
Voltage	: 230/460 V	Locked rotor torque	: 280 %
Rated current	: 3.30/1.65 A	Breakdown torque	: 350 %
Insulation class	: F		

Notes:
 Downloaded from <http://dealerselectric.com>
 Generated for Model #00118EP3ER143TC-W22

Performed by

Checked



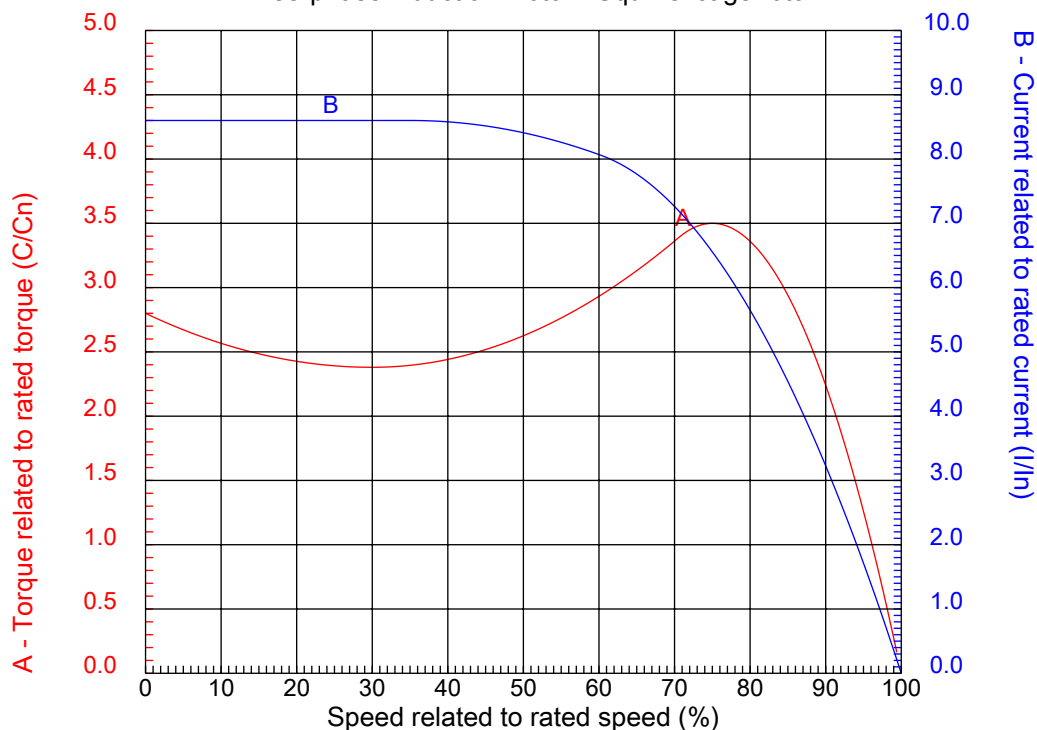
Dealers Industrial Equipment

No.:

Date: 12-SEP-2016

CHARACTERISTIC CURVES RELATED TO SPEED

Three-phase induction motor - Squirrel cage rotor



Customer :
Product line : W22 High Efficiency

Frame	: 143T	Locked rotor current (I _l /I _n)	: 8.6
Output	: 1 HP	Duty cycle	: S1
Frequency	: 60 Hz	Service factor	: 1.25
Full load speed	: 1770 rpm	Design	: B
Voltage	: 230/460 V	Locked rotor torque	: 280 %
Rated current	: 3.30/1.65 A	Breakdown torque	: 350 %
Insulation class	: F		

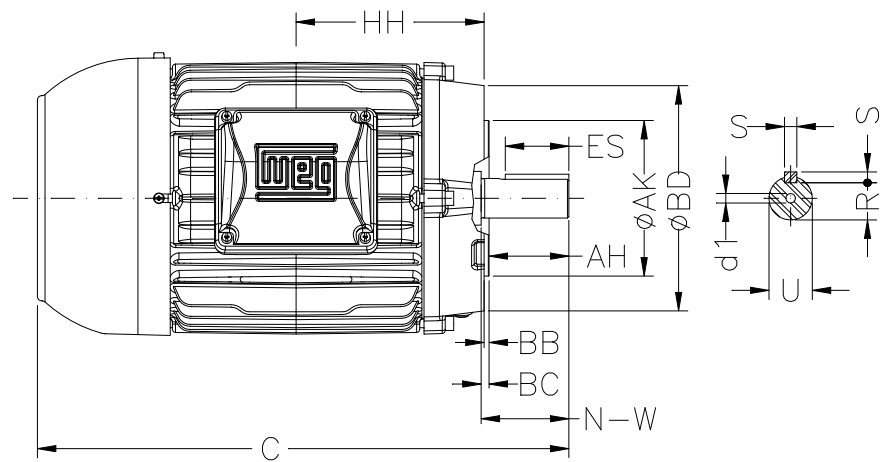
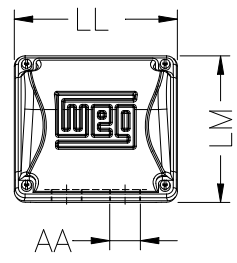
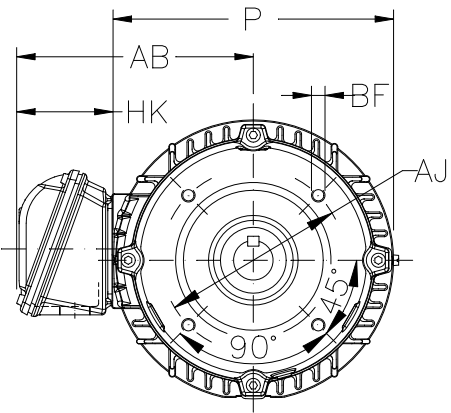
Notes:
Downloaded from <http://dealerselectric.com>
Generated for Model #00118EP3ER143TC-W22

Performed by

Checked

1 2 3 4 5 6 7 8

A
B
C
D
E
F



Notes: Downloaded from <http://dealerselectric.com>
Generated for Model #00118EP3ER143TC-W22

Performed by:

Checked:

Customer:

W22 High Efficiency

P	AB	U	N-W	ES
7.244	6.260	0.875	2.250	1.575
S	R	depth	HH	HK
0.187	0.771	0.187	4.250	2.638
C	LL	LM	AA	d1
12.346	4.528	4.094	NPT 3/4"	A 3,15
Flange FC-149	AJ	AK	BD	BF
	5.875	4.500	6.500	UNC 3/8"x16
BB	BC	AH		
0.157	0.125	2.125		

Three-phase induction motor
Frame 143T - IP55

12-SEP-2016



1 2 3 4 5 6 7 8

A

LOW VOLTAGE

HIGH VOLTAGE

B



C



D

E

F

Notes: Downloaded from <http://dealerselectric.com>
 Generated for Model #00118EP3ER143TC-W22

Performed by:

Checked:

Customer:

W22 High Efficiency

Three-phase induction motor
 Frame 143T - IP55

12-SEP-2016

