



# Dealers Industrial Equipment

No.:

Date: 12-SEP-2016

Customer :

## TECHNICAL PROPOSAL

### Three-phase induction motor - Squirrel cage rotor

Product line : Brake Motors : Three-Phase - High Efficiency  
Catalog Number : 00118EP3EBM143T  
List Price : \$>(discontinued)</span>

Notes:  
Downloaded from <http://dealerselectric.com>  
Generated for Model #00118EP3EBM143T

Performed by:

Checked:



# Dealers Industrial Equipment

No.:

Date: 12-SEP-2016

## DATA SHEET Three-phase induction motor - Squirrel cage rotor

Customer :  
 Product line : Brake Motors : Three-Phase - High Efficiency

Frame : 143T  
 Output : 1 HP  
 Frequency : 60 Hz  
 Poles : 4  
 Full load speed : 1765 rpm  
 Slip : 1.94 %  
 Voltage : 230/460 V  
 Rated current : 2.96/1.48 A  
 Locked rotor current : 25.5/12.7 A  
 Locked rotor current (I<sub>L</sub>/I<sub>n</sub>) : 8.6  
 No-load current : 1.87/0.935 A  
 Full load torque : 2.94 lb.ft  
 Locked rotor torque : 290 %  
 Breakdown torque : 400 %  
 Design : B  
 Insulation class : F  
 Temperature rise : 80 K  
 Locked rotor time : 16 s (hot)  
 Service factor : 1.25  
 Duty cycle : S1  
 Ambient temperature : -20°C - +40°C  
 Altitude : 1000 m  
 Degree of Protection : IP55  
 Approximate weight : 53 lb  
 Moment of inertia : 0.09302 sq.ft.lb  
 Noise level : 51 dB(A)

	D.E.	N.D.E.
Bearings	6205 ZZ	6204 ZZ
Regreasing interval	---	---
Grease amount	---	---

Load	Power factor	Efficiency (%)
100%	0.77	82.5
75%	0.69	80.0
50%	0.55	77.0

Notes:  
 Downloaded from <http://dealerselectric.com>  
 Generated for Model #00118EP3EBM143T

Performed by

Checked



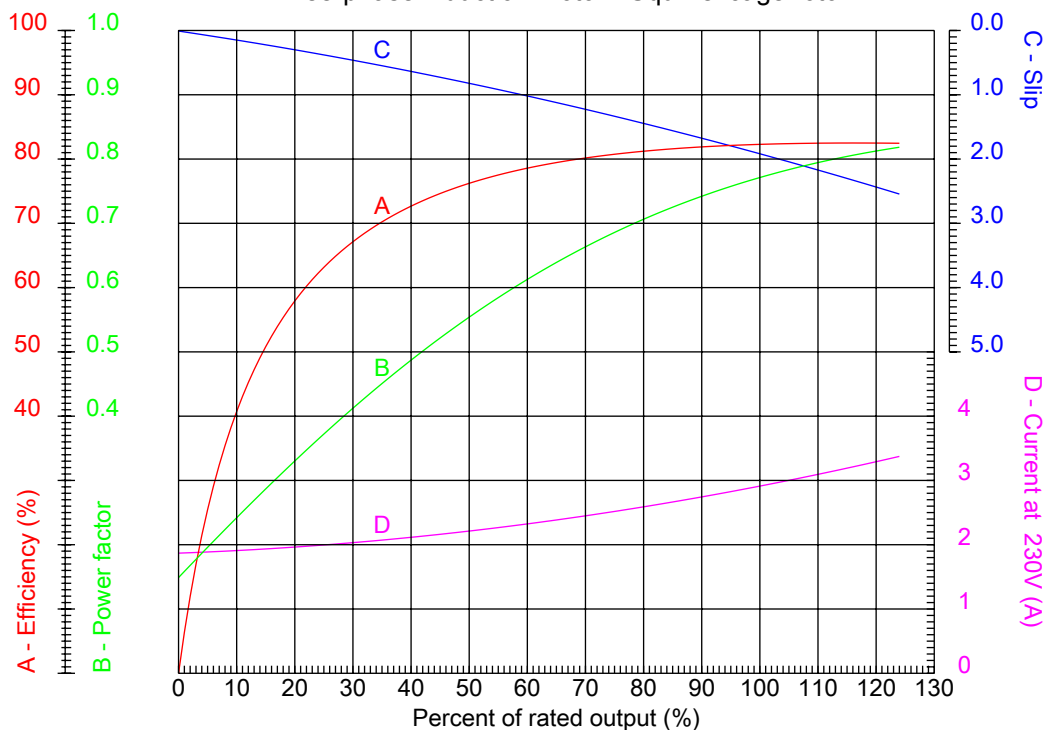
# Dealers Industrial Equipment

No.:

Date: 12-SEP-2016

## PERFORMANCE CURVES RELATED TO RATED OUTPUT

Three-phase induction motor - Squirrel cage rotor



Customer :  
Product line : Brake Motors : Three-Phase - High Efficiency

Frame	: 143T	Locked rotor current (I <sub>l</sub> /I <sub>n</sub> )	: 8.6
Output	: 1 HP	Duty cycle	: S1
Frequency	: 60 Hz	Service factor	: 1.25
Full load speed	: 1765 rpm	Design	: B
Voltage	: 230/460 V	Locked rotor torque	: 290 %
Rated current	: 2.96/1.48 A	Breakdown torque	: 400 %
Insulation class	: F		

Notes:  
Downloaded from <http://dealerselectric.com>  
Generated for Model #00118EP3EBM143T

Performed by

Checked



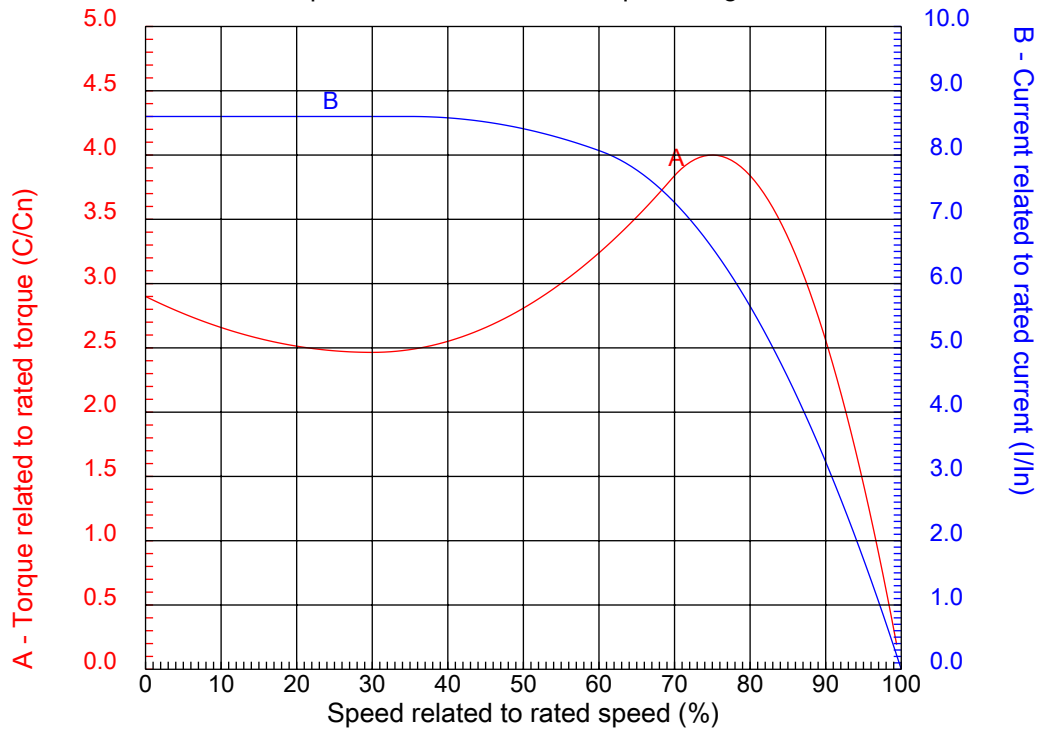
# Dealers Industrial Equipment

No.:

Date: 12-SEP-2016

## CHARACTERISTIC CURVES RELATED TO SPEED

Three-phase induction motor - Squirrel cage rotor



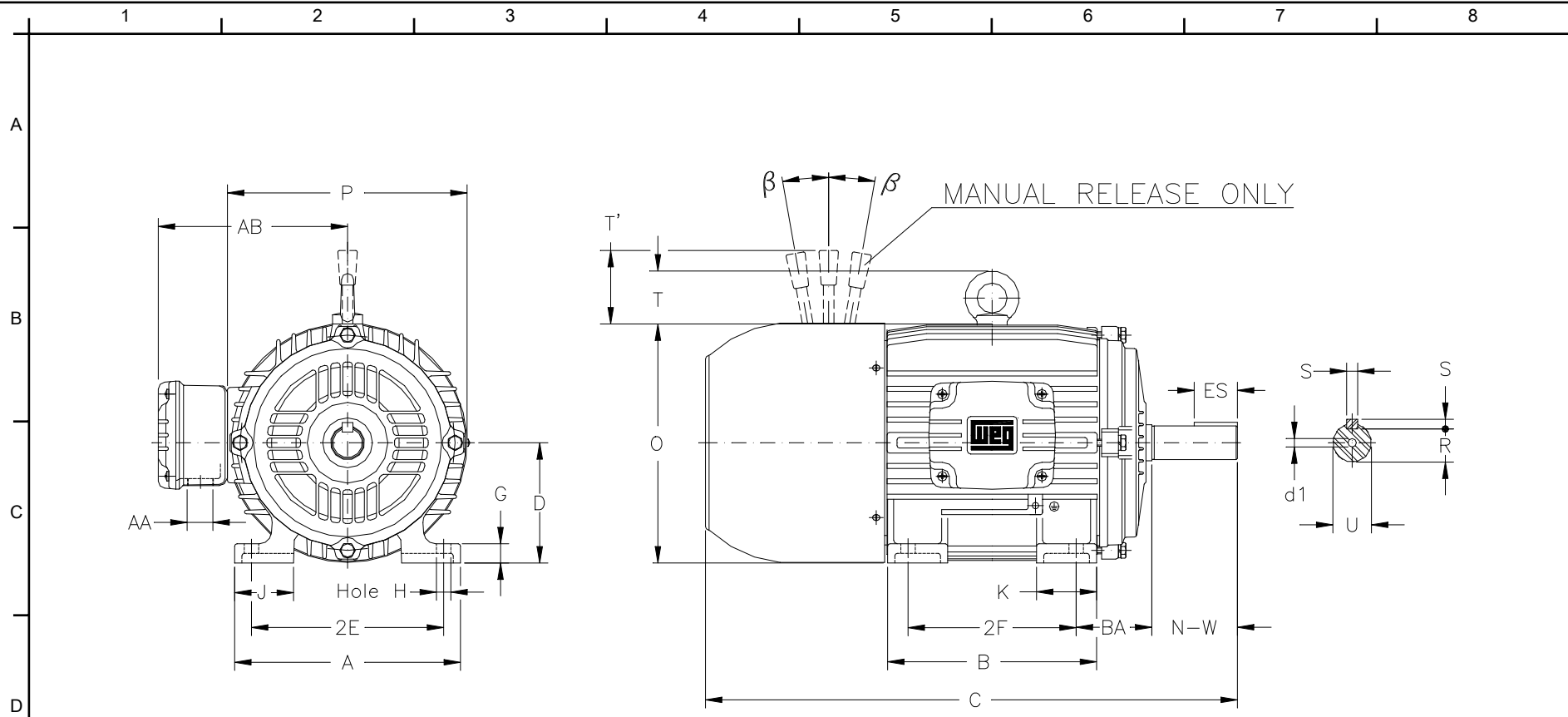
Customer :  
Product line : Brake Motors : Three-Phase - High Efficiency

Frame	: 143T	Locked rotor current (I <sub>l</sub> /I <sub>n</sub> )	: 8.6
Output	: 1 HP	Duty cycle	: S1
Frequency	: 60 Hz	Service factor	: 1.25
Full load speed	: 1765 rpm	Design	: B
Voltage	: 230/460 V	Locked rotor torque	: 290 %
Rated current	: 2.96/1.48 A	Breakdown torque	: 400 %
Insulation class	: F		

Notes:  
Downloaded from <http://dealerselectric.com>  
Generated for Model #00118EP3EBM143T

Performed by

Checked



Notes: Downloaded from <http://dealerselectric.com>  
 Generated for Model #00118EP3EBM143T

Performed by:

Checked:

Customer:

2E 5.500	A 6.457	2F 4.000	B 5.157	BA 2.250
J 1.496	K 1.654	P 7.047	ES 1.575	depth 0.187
S 0.187	N-W 2.250	U 0.875	R 0.771	AB 6.102
D 3.500	G 0.547	O 7.000	H 0.344	C 15.222
AA NPT 3/4"	d1 A 4	d2 A 4		

Brake Motors : Three-Phase - High Efficiency

Three-phase induction motor Frame 143T - IP55	12-SEP-2016	
--	-------------	--

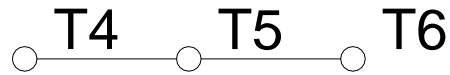
1 2 3 4 5 6 7 8

A

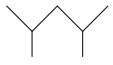
### LOW VOLTAGE

### HIGH VOLTAGE

B



C



D

E

F

Notes: Downloaded from <http://dealerselectric.com>  
 Generated for Model #00118EP3EBM143T

Performed by:

Checked:

Customer:

Brake Motors : Three-Phase - High Efficiency

Three-phase induction motor  
 Frame 143T - IP55

12-SEP-2016

