



Dealers Industrial Equipment

No.:

Date: 12-SEP-2016

Customer :

TECHNICAL PROPOSAL

## Three-phase induction motor - Squirrel cage rotor

Product line : W22 Super Premium  
Catalog Number : 00118EG3EL143T-W22  
List Price : \$>(discontinued)</span>

Notes:  
Downloaded from <http://dealerselectric.com>  
Generated for Model #00118EG3EL143T-W22

Performed by:

Checked:



# Dealers Industrial Equipment

No.:

Date: 12-SEP-2016

## DATA SHEET Three-phase induction motor - Squirrel cage rotor

Customer :  
Product line : W22 Super Premium

Frame : L143T  
Output : 1 HP  
Frequency : 60 Hz  
Poles : 4  
Full load speed : 1760 rpm  
Slip : 2.22 %  
Voltage : 208-230/460 V  
Rated current : 2.66/1.33 A  
Locked rotor current : 23.9/12.0 A  
Locked rotor current (I<sub>L</sub>/I<sub>n</sub>) : 9.0  
No-load current : 1.54/0.770 A  
Full load torque : 2.94 lb.ft  
Locked rotor torque : 260 %  
Breakdown torque : 330 %  
Design : A  
Insulation class : F  
Temperature rise : 80 K  
Locked rotor time : 33 s (hot)  
Service factor : 1.25 (1.00 at 208V)  
Duty cycle : S1  
Ambient temperature : -20°C - +40°C  
Altitude : 1000 m  
Degree of Protection : IP55  
Approximate weight : 51 lb  
Moment of inertia : 0.15543 sq.ft.lb  
Noise level : 51 dB(A)

	D.E.	N.D.E.
Bearings	6205 ZZ	6204 ZZ
Regreasing interval	---	---
Grease amount	---	---

Load	Power factor	Efficiency (%)
100%	0.79	87.5
75%	0.70	86.5
50%	0.59	84.0

Notes:  
Downloaded from <http://dealerselectric.com>  
Generated for Model #00118EG3EL143T-W22

Performed by

Checked



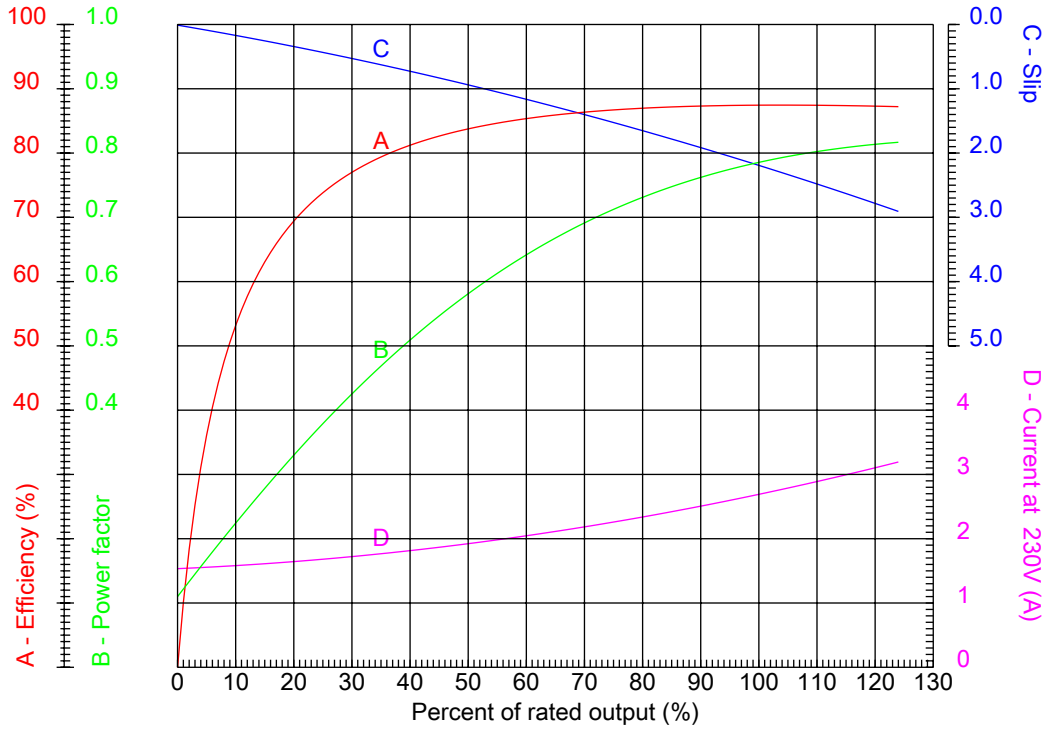
# Dealers Industrial Equipment

No.:

Date: 12-SEP-2016

## PERFORMANCE CURVES RELATED TO RATED OUTPUT

Three-phase induction motor - Squirrel cage rotor



Customer :  
 Product line : W22 Super Premium

Frame : L143T	Locked rotor current (I <sub>l</sub> /I <sub>n</sub> ) : 9.0
Output : 1 HP	Duty cycle : S1
Frequency : 60 Hz	Service factor : 1.25 (1.00 at 208V)
Full load speed : 1760 rpm	Design : A
Voltage : 208-230/460 V	Locked rotor torque : 260 %
Rated current : 2.66/1.33 A	Breakdown torque : 330 %
Insulation class : F	

Notes:  
 Downloaded from <http://dealerselectric.com>  
 Generated for Model #00118EG3EL143T-W22

Performed by

Checked



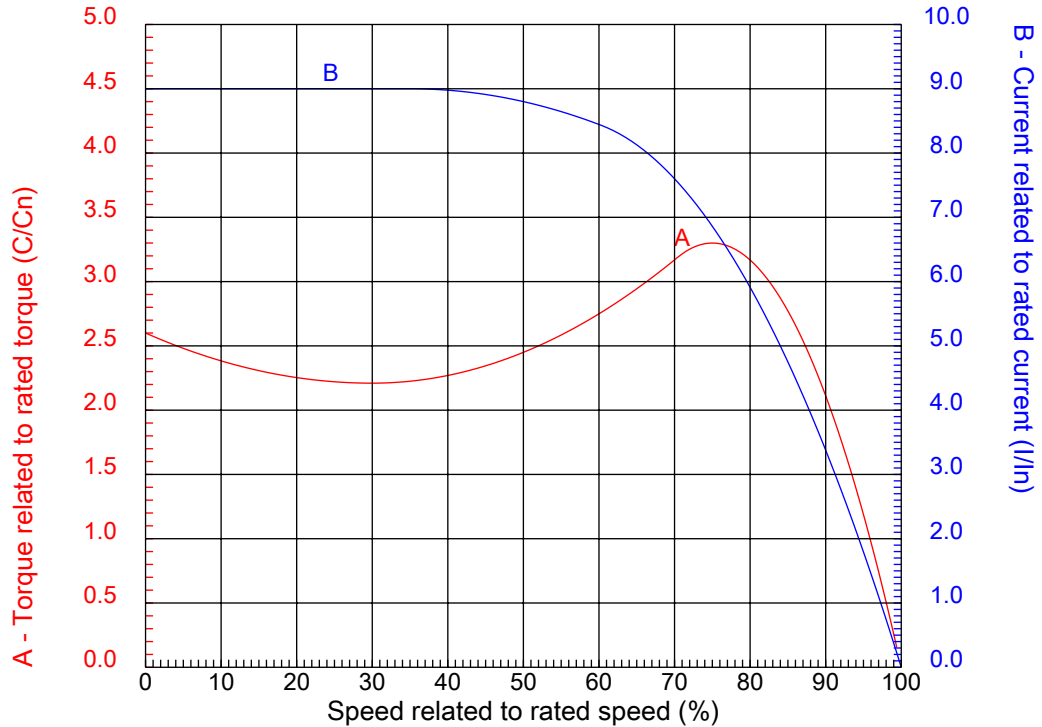
# Dealers Industrial Equipment

No.:

Date: 12-SEP-2016

## CHARACTERISTIC CURVES RELATED TO SPEED

Three-phase induction motor - Squirrel cage rotor



Customer :  
Product line : W22 Super Premium

Frame	: L143T	Locked rotor current (I <sub>l</sub> /I <sub>n</sub> )	: 9.0
Output	: 1 HP	Duty cycle	: S1
Frequency	: 60 Hz	Service factor	: 1.25 (1.00 at 208V)
Full load speed	: 1760 rpm	Design	: A
Voltage	: 208-230/460 V	Locked rotor torque	: 260 %
Rated current	: 2.66/1.33 A	Breakdown torque	: 330 %
Insulation class	: F		

Notes:  
Downloaded from <http://dealerselectric.com>  
Generated for Model #00118EG3EL143T-W22

Performed by

Checked

1 2 3 4 5 6 7 8

A

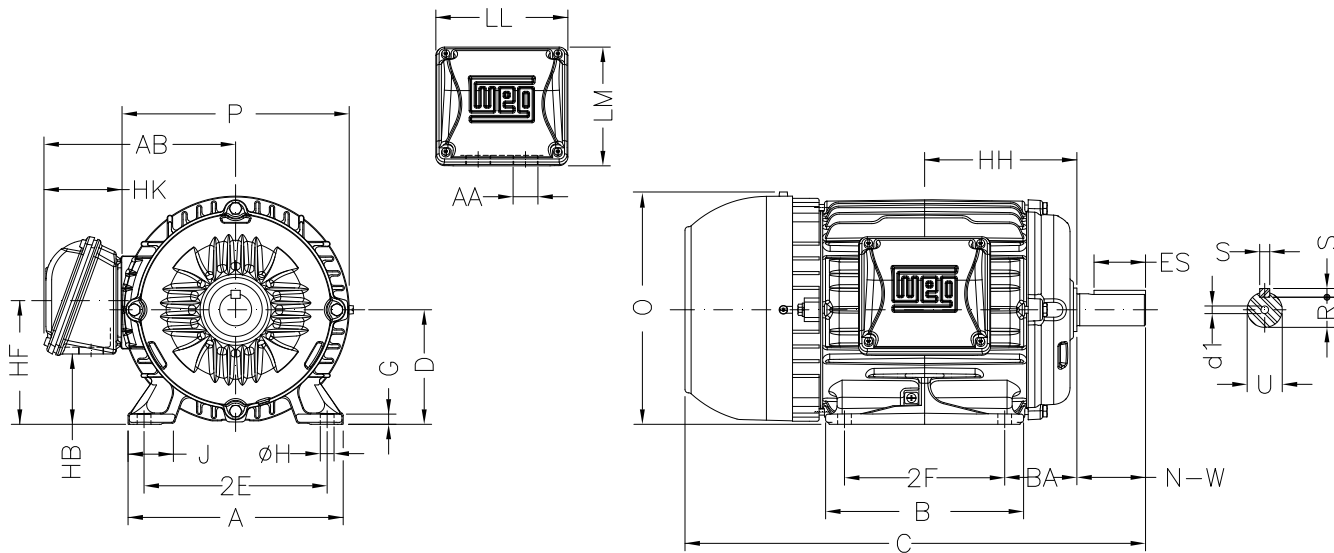
B

C

D

E

F



Notes: Downloaded from <http://dealerselectric.com>  
Generated for Model #00118EG3EL143T-W22

Performed by:

Checked:

Customer:

W22 Super Premium

Three-phase induction motor  
Frame L143T - IP55

12-SEP-2016



2E 5.500	J 1.437	A 6.457	P 7.244	AB 6.260
2F 4.000	B 5.157	BA 2.250	FBA 4.082	U 0.875
N-W 2.250	ES 1.575	S 0.187	R 0.771	depth 0.187
D 3.500	G 0.354	HB 1.787	O 7.122	T 0.007
HF 3.500	HH 4.250	HK 2.638	H 0.340	C 13.566
LL 4.528	LM 4.094	AA NPT 3/4"	d1 A 3.15	

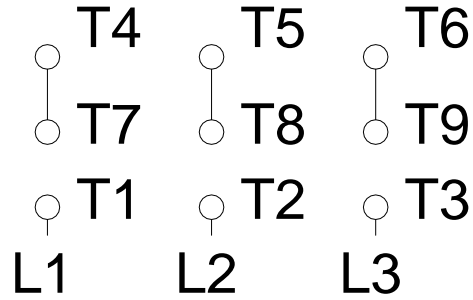
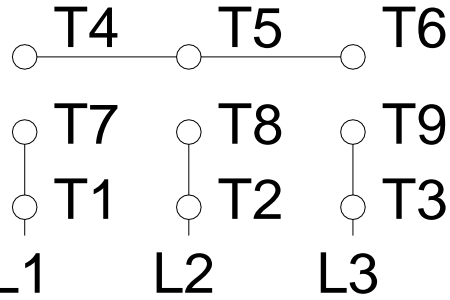
1 2 3 4 5 6 7 8

A

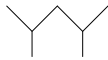
### LOW VOLTAGE

### HIGH VOLTAGE

B



C



D

E

F

Notes: Downloaded from <http://dealerselectric.com>  
 Generated for Model #00118EG3EL143T-W22

Performed by:

Checked:

Customer:

W22 Super Premium

Three-phase induction motor  
 Frame L143T - IP55

12-SEP-2016

