



Dealers Industrial Equipment

No.:

Date: 12-SEP-2016

Customer :

TECHNICAL PROPOSAL

Three-phase induction motor - Squirrel cage rotor

Product line : W22 Super Premium

Catalog Number : 00118EG3E143T-W22

List Price : \$580

Notes:

Downloaded from <http://dealerselectric.com>

Generated for Model #00118EG3E143T-W22

Performed by:

Checked:



Dealers Industrial Equipment

No.:

Date: 12-SEP-2016

DATA SHEET Three-phase induction motor - Squirrel cage rotor

Customer :
Product line : W22 Super Premium

Frame : 143/5T
Output : 1 HP
Frequency : 60 Hz
Poles : 4
Full load speed : 1760 rpm
Slip : 2.22 %
Voltage : 208-230/460 V
Rated current : 2.94-2.66/1.33 A
Locked rotor current : 23.9/12.0 A
Locked rotor current (I_L/I_n) : 9.0
No-load current : 1.54/0.770 A
Full load torque : 2.94 lb.ft
Locked rotor torque : 260 %
Breakdown torque : 330 %
Design : A
Insulation class : F
Temperature rise : 80 K
Locked rotor time : 33 s (hot)
Service factor : 1.25
Duty cycle : S1
Ambient temperature : -20°C - +40°C
Altitude : 1000 m
Degree of Protection : IP55
Approximate weight : 51 lb
Moment of inertia : 0.15543 sq.ft.lb
Noise level : 51 dB(A)

	D.E.	N.D.E.
Bearings	6205 ZZ	6204 ZZ
Regreasing interval	---	---
Grease amount	---	---

Load	Power factor	Efficiency (%)
100%	0.79	87.5
75%	0.70	86.5
50%	0.59	84.0

Notes:
Downloaded from <http://dealerselectric.com>
Generated for Model #00118EG3E143T-W22

Performed by

Checked



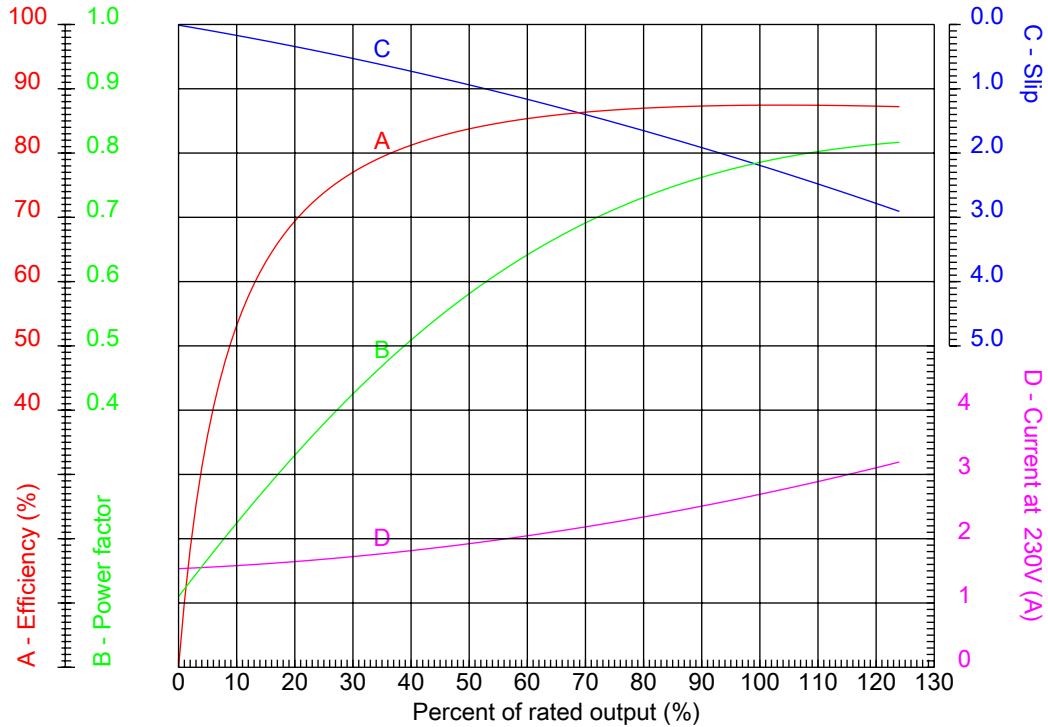
Dealers Industrial Equipment

No.:

Date: 12-SEP-2016

PERFORMANCE CURVES RELATED TO RATED OUTPUT

Three-phase induction motor - Squirrel cage rotor



Customer :
Product line : W22 Super Premium

Frame	: 143/5T	Locked rotor current (I _l /I _n)	: 9.0
Output	: 1 HP	Duty cycle	: S1
Frequency	: 60 Hz	Service factor	: 1.25
Full load speed	: 1760 rpm	Design	: A
Voltage	: 208-230/460 V	Locked rotor torque	: 260 %
Rated current	: 2.94-2.66/1.33 A	Breakdown torque	: 330 %
Insulation class	: F		

Notes:
Downloaded from <http://dealerselectric.com>
Generated for Model #00118EG3E143T-W22

Performed by

Checked



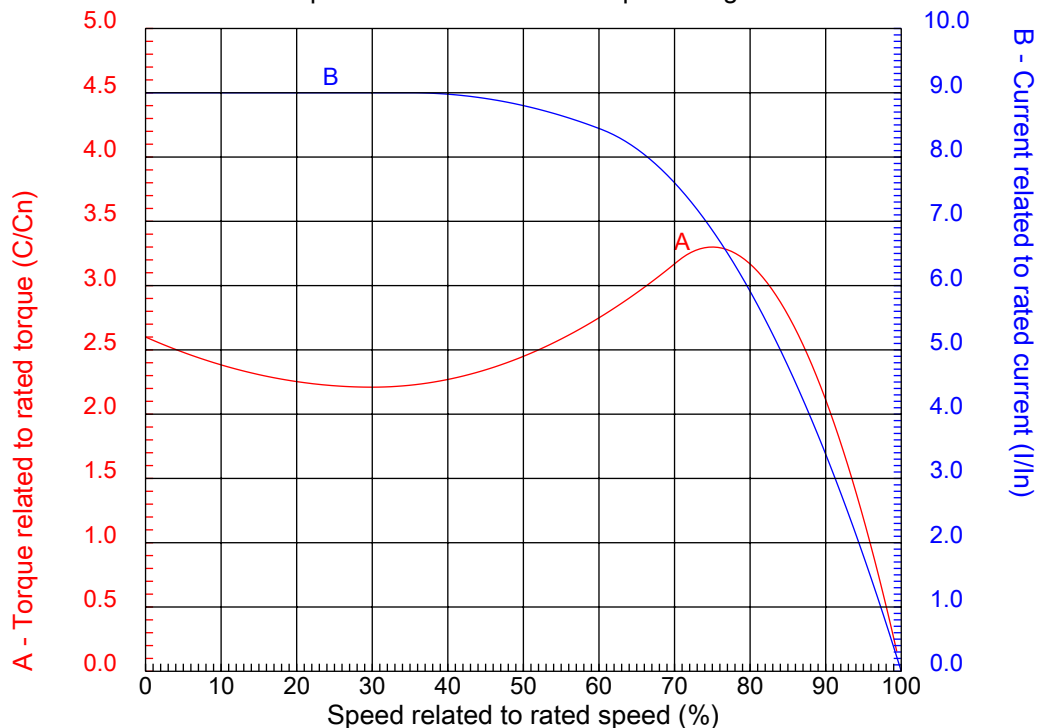
Dealers Industrial Equipment

No.:

Date: 12-SEP-2016

CHARACTERISTIC CURVES RELATED TO SPEED

Three-phase induction motor - Squirrel cage rotor



Customer :
Product line : W22 Super Premium

Frame	: 143/5T	Locked rotor current (I _l /I _n)	: 9.0
Output	: 1 HP	Duty cycle	: S1
Frequency	: 60 Hz	Service factor	: 1.25
Full load speed	: 1760 rpm	Design	: A
Voltage	: 208-230/460 V	Locked rotor torque	: 260 %
Rated current	: 2.94-2.66/1.33 A	Breakdown torque	: 330 %
Insulation class	: F		

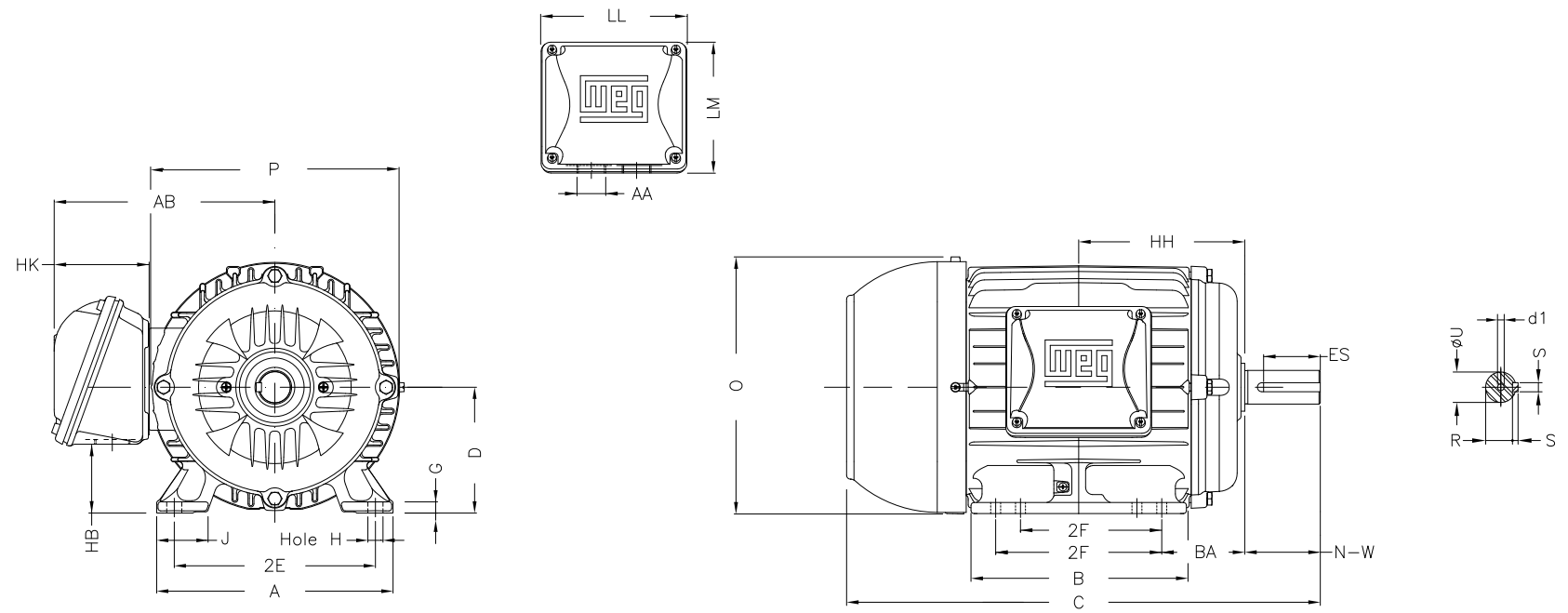
Notes:
Downloaded from <http://dealerselectric.com>
Generated for Model #00118EG3E143T-W22

Performed by

Checked

1 2 3 4 5 6 7 8

A
B
C
D
E
F



Notes: Downloaded from <http://dealerselectric.com>
Generated for Model #00118EG3E143T-W22

Performed by:

Checked:

Customer:

W22 Super Premium

Three-phase induction motor
Frame 143/5T - IP55

12-SEP-2016



2E 5.500	J 1.437	A 6.457	P 7.244	AB 6.260
2F 4.000/5.000	B 6.142	BA 2.250	FBA 4.082	U 0.875
N-W 2.250	ES 1.575	S 0.187	R 0.771	depth 0.187
D 3.500	G 0.354	HB 1.787	O 7.122	T 0.007
HF 3.500	HH 4.750	HK 2.638	H 0.340	C 14.566
LL 4.528	LM 4.094	AA NPT 3/4"	d1 A 3.15	

1 2 3 4 5 6 7 8

A

LOW VOLTAGE

HIGH VOLTAGE

B



C



D

E

F

Notes: Downloaded from <http://dealerselectric.com>
 Generated for Model #00118EG3E143T-W22

Performed by:

Checked:

Customer:

W22 Super Premium

Three-phase induction motor
 Frame 143/5T - IP55

12-SEP-2016

