



# Dealers Industrial Equipment

No.:

Date: 12-SEP-2016

Customer :

## TECHNICAL PROPOSAL

### Three-phase induction motor - Squirrel cage rotor

Product line : Three-Phase: W22 IEEE-841™ Petrochem Motors - NEMA Premium® Efficiency

Catalog Number : 00112ST3QIE145T-W22

List Price : \$1,062

#### Notes:

Downloaded from <http://dealerselectric.com>

Generated for Model #00112ST3QIE145T-W22

Performed by:

Checked:



# Dealers Industrial Equipment

No.:

Date: 12-SEP-2016

## DATA SHEET

### Three-phase induction motor - Squirrel cage rotor

Customer :  
 Product line : Three-Phase: W22 IEEE-841™ Petrochem Motors - NEMA Premium® Efficiency

Frame : 143/5T  
 Output : 1 HP  
 Frequency : 60 Hz  
 Poles : 6  
 Full load speed : 1150 rpm  
 Slip : 4.17 %  
 Voltage : 460 V  
 Rated current : 1.73 A  
 Locked rotor current : 10.7 A  
 Locked rotor current (I<sub>L</sub>/I<sub>n</sub>) : 6.2  
 No-load current : 1.20 A  
 Full load torque : 4.51 lb.ft  
 Locked rotor torque : 300 %  
 Breakdown torque : 300 %  
 Design : B  
 Insulation class : F  
 Temperature rise : 80 K  
 Locked rotor time : 28 s (hot)  
 Service factor : 1.25  
 Duty cycle : S1  
 Ambient temperature : -20°C - +40°C  
 Altitude : 1000 m  
 Degree of Protection : IP55  
 Approximate weight : 53 lb  
 Moment of inertia : 0.15947 sq.ft.lb  
 Noise level : 49 dB(A)

	D.E.	N.D.E.
Bearings	6205 C3	6204 C3
Regreasing interval	20000 h	20000 h
Grease amount	4 g	4 g

Load	Power factor	Efficiency (%)
100%	0.66	82.5
75%	0.57	82.0
50%	0.45	77.0

#### Notes:

Downloaded from <http://dealerselectric.com>  
 Generated for Model #00112ST3QIE145T-W22

Performed by

Checked



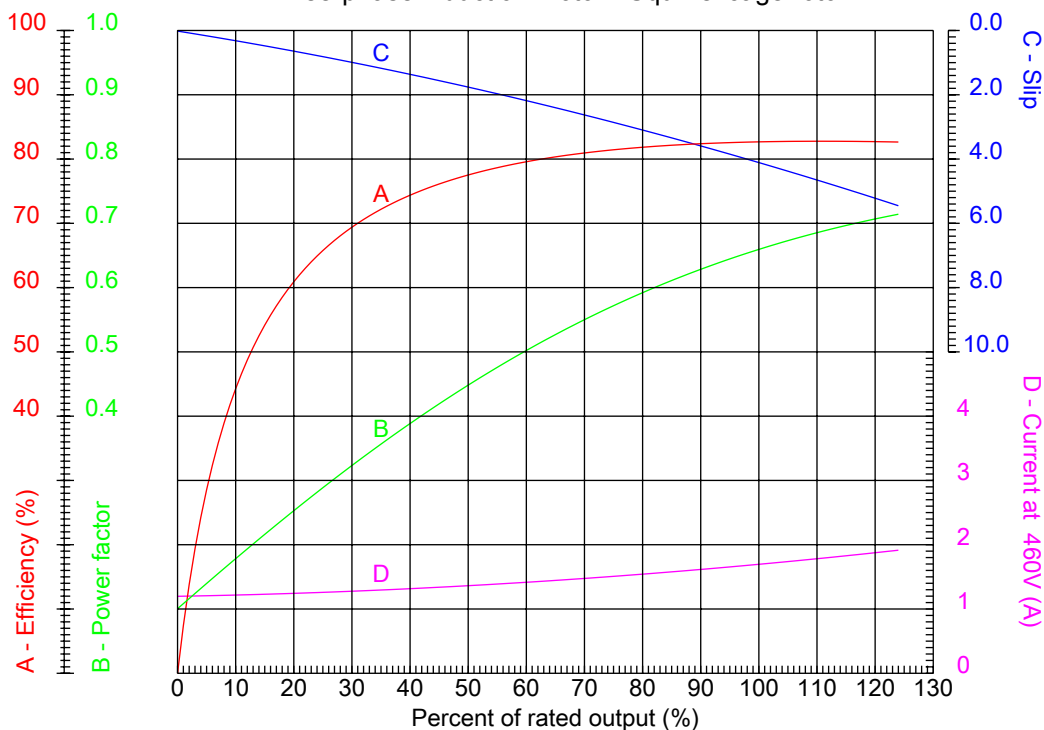
# Dealers Industrial Equipment

No.:

Date: 12-SEP-2016

## PERFORMANCE CURVES RELATED TO RATED OUTPUT

Three-phase induction motor - Squirrel cage rotor



Customer :  
 Product line : Three-Phase: W22 IEEE-841™ Petrochem Motors - NEMA Premium® Efficiency

Frame : 143/5T	Locked rotor current (I <sub>l</sub> /I <sub>n</sub> ) : 6.2
Output : 1 HP	Duty cycle : S1
Frequency : 60 Hz	Service factor : 1.25
Full load speed : 1150 rpm	Design : B
Voltage : 460 V	Locked rotor torque : 300 %
Rated current : 1.73 A	Breakdown torque : 300 %
Insulation class : F	

Notes:  
 Downloaded from <http://dealerselectric.com>  
 Generated for Model #00112ST3QIE145T-W22

Performed by

Checked



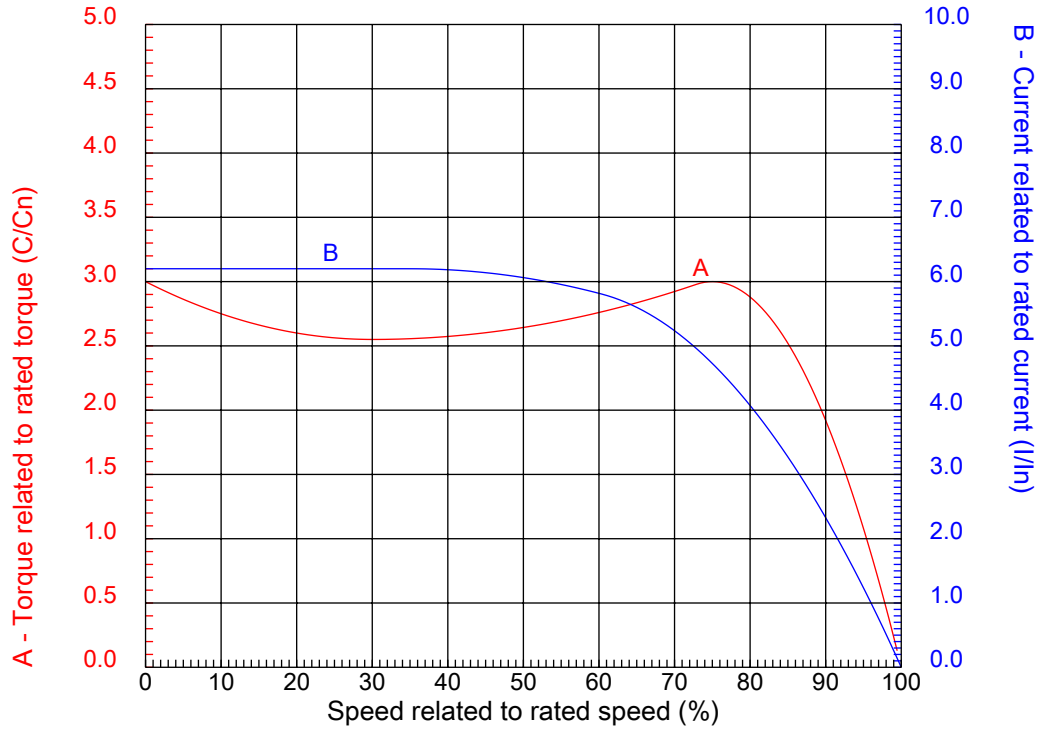
# Dealers Industrial Equipment

No.:

Date: 12-SEP-2016

## CHARACTERISTIC CURVES RELATED TO SPEED

Three-phase induction motor - Squirrel cage rotor



Customer :  
Product line : Three-Phase: W22 IEEE-841™ Petrochem Motors - NEMA Premium® Efficiency

Frame	: 143/5T	Locked rotor current (I <sub>L</sub> /I <sub>n</sub> )	: 6.2
Output	: 1 HP	Duty cycle	: S1
Frequency	: 60 Hz	Service factor	: 1.25
Full load speed	: 1150 rpm	Design	: B
Voltage	: 460 V	Locked rotor torque	: 300 %
Rated current	: 1.73 A	Breakdown torque	: 300 %
Insulation class	: F		

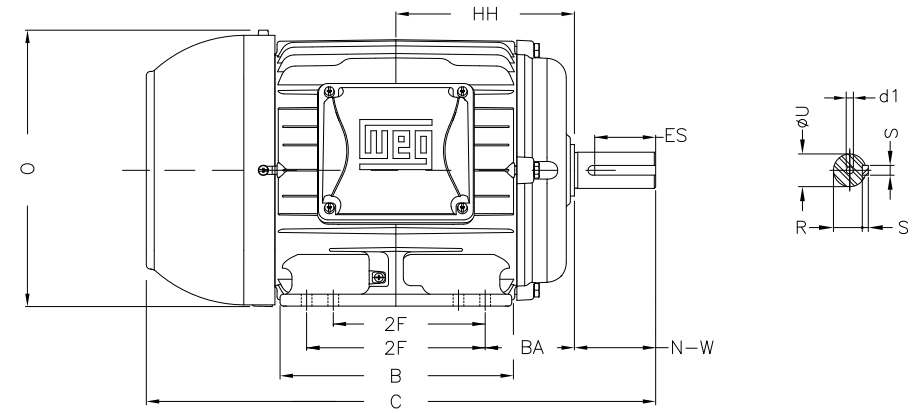
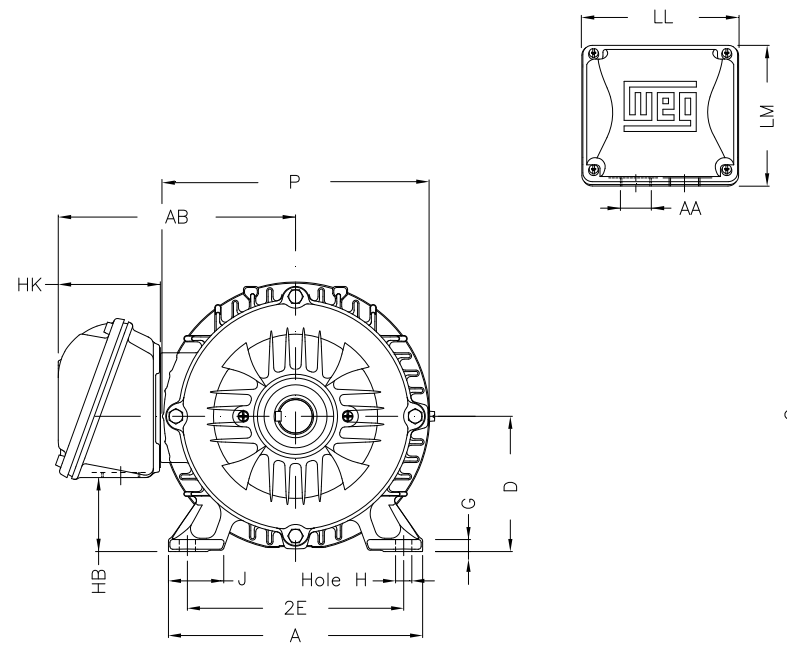
Notes:  
Downloaded from <http://dealerselectric.com>  
Generated for Model #00112ST3QIE145T-W22

Performed by

Checked

1 2 3 4 5 6 7 8

A  
B  
C  
D  
E  
F



Notes: Downloaded from <http://dealerselectric.com>  
Generated for Model #00112ST3QIE145T-W22

Performed by:

Checked:

Customer:

Three-Phase: W22 IEEE-841™ Petrochem Motors - NEMA Premium® Efficiency

2E 5.500	J 1.437	A 6.457	P 7.047	AB 6.260
2F 4.000/5.000	B 6.142	BA 2.250	U 0.875	N-W 2.250
ES 1.417	S 0.187	R 0.771	depth 0.187	D 3.500
G 0.354	HB 1.787	O 7.122	HF 3.500	HH 4.750
HK 2.638	H 0.344	C 13.346	LL 4.528	LM 4.094
AA NPT 3/4"	d1 A 4	d2 A 4		

Three-phase induction motor  
Frame 143/5T - IP55

12-SEP-2016



1 2 3 4 5 6 7 8

A

B

C

D

E

F



Notes: Downloaded from <http://dealerselectric.com>  
Generated for Model #00112ST3QIE145T-W22

Performed by:

Checked:

Customer:

Three-Phase: W22 IEEE-841™ Petrochem Motors - NEMA Premium® Efficiency

Three-phase induction motor  
Frame 143/5T - IP55

12-SEP-2016

