



Dealers Industrial Equipment

No.:

Date: 12-SEP-2016

Customer :

TECHNICAL PROPOSAL

Three-phase induction motor - Squirrel cage rotor

Product line : W01 (Rolled Steel) General Purpose ODP

Catalog Number : 00112OT3E145T-SG

List Price : \$586

Notes:

Downloaded from <http://dealerselectric.com>

Generated for Model #00112OT3E145T-SG

Performed by:

Checked:



Dealers Industrial Equipment

No.:

Date: 12-SEP-2016

DATA SHEET Three-phase induction motor - Squirrel cage rotor

Customer :
Product line : W01 (Rolled Steel) General Purpose ODP

Frame : 143/5T
Output : 1 HP
Frequency : 60 Hz
Poles : 6
Full load speed : 1150 rpm
Slip : 4.17 %
Voltage : 208-230/460 V
Rated current : 3.65-3.30/1.65 A
Locked rotor current : 20.1/10.1 A
Locked rotor current (I_L/I_n) : 6.1
No-load current : 2.26/1.13 A
Full load torque : 4.51 lb.ft
Locked rotor torque : 250 %
Breakdown torque : 300 %
Design : B
Insulation class : F
Temperature rise : 80 K
Locked rotor time : 24 s (hot)
Service factor : 1.15
Duty cycle : S1
Ambient temperature : -20°C - +40°C
Altitude : 1000 m
Degree of Protection : ODP
Approximate weight : 35 lb
Moment of inertia : 0.14191 sq.ft.lb
Noise level : 49 dB(A)

	D.E.	N.D.E.
Bearings	6205 ZZ	6203 ZZ
Regreasing interval	---	---
Grease amount	---	---

Load	Power factor	Efficiency (%)
100%	0.69	82.5
75%	0.60	81.5
50%	0.47	78.5

Notes:
Downloaded from <http://dealerselectric.com>
Generated for Model #001120T3E145T-SG

Performed by

Checked



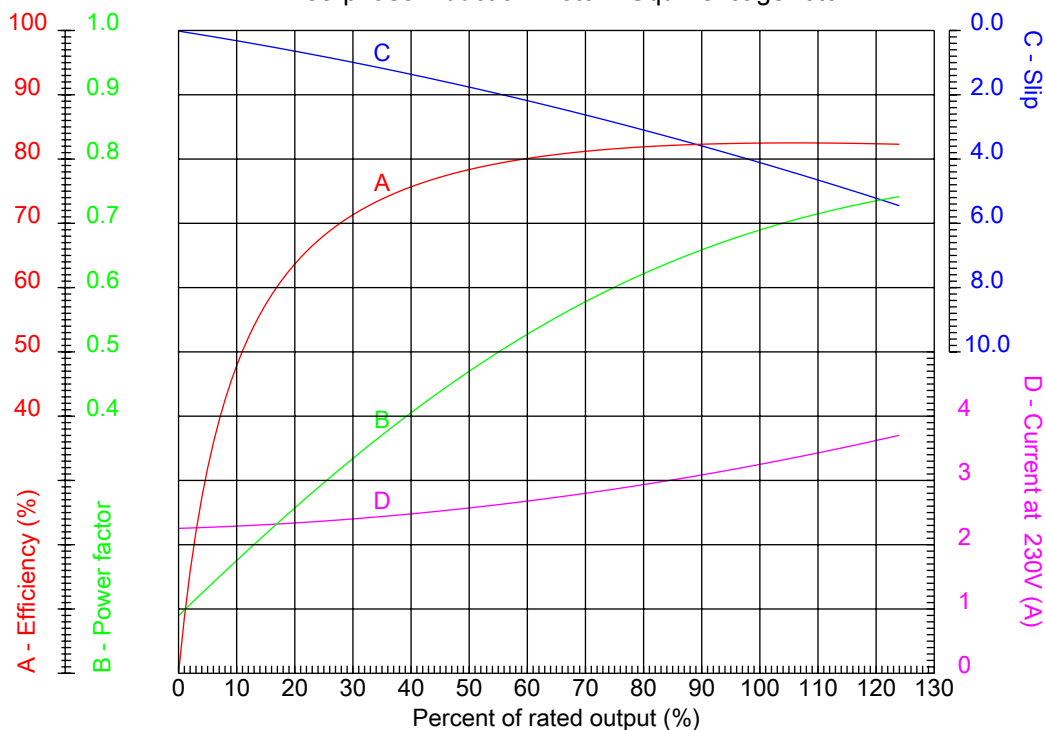
Dealers Industrial Equipment

No.:

Date: 12-SEP-2016

PERFORMANCE CURVES RELATED TO RATED OUTPUT

Three-phase induction motor - Squirrel cage rotor



Customer :
Product line : W01 (Rolled Steel) General Purpose ODP

Frame : 143/5T	Locked rotor current (I _l /I _n) : 6.1
Output : 1 HP	Duty cycle : S1
Frequency : 60 Hz	Service factor : 1.15
Full load speed : 1150 rpm	Design : B
Voltage : 208-230/460 V	Locked rotor torque : 250 %
Rated current : 3.65-3.30/1.65 A	Breakdown torque : 300 %
Insulation class : F	

Notes:
Downloaded from <http://dealerselectric.com>
Generated for Model #00112OT3E145T-SG

Performed by

Checked



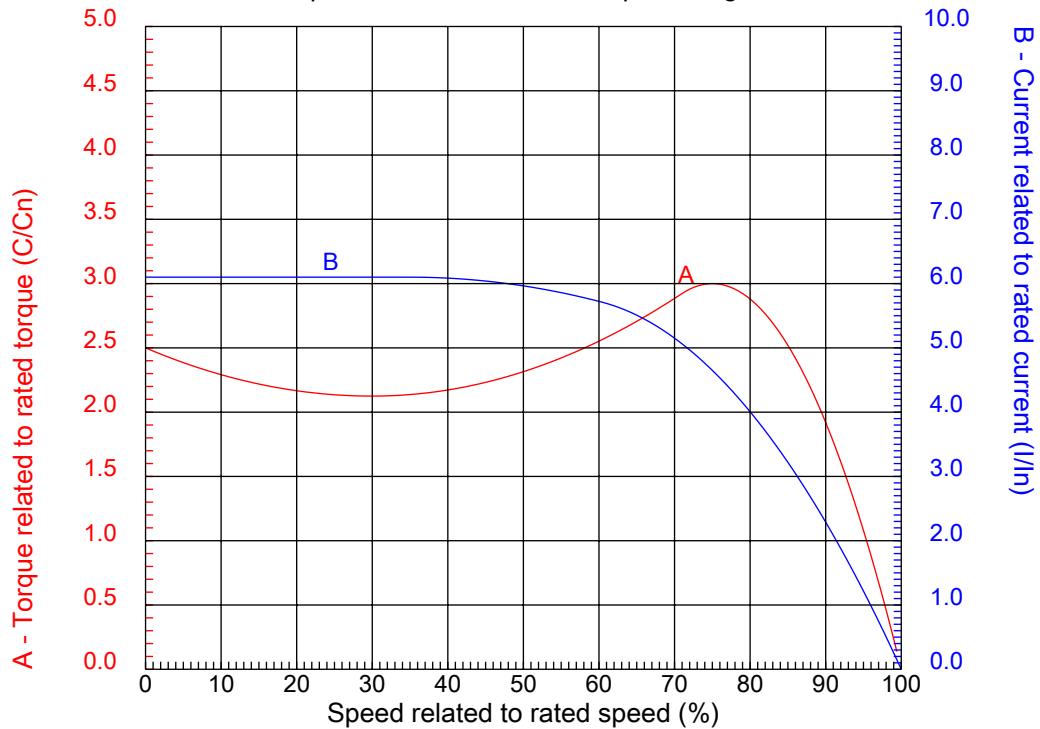
Dealers Industrial Equipment

No.:

Date: 12-SEP-2016

CHARACTERISTIC CURVES RELATED TO SPEED

Three-phase induction motor - Squirrel cage rotor



Customer :
Product line : W01 (Rolled Steel) General Purpose ODP

Frame	: 143/5T	Locked rotor current (I _l /I _n)	: 6.1
Output	: 1 HP	Duty cycle	: S1
Frequency	: 60 Hz	Service factor	: 1.15
Full load speed	: 1150 rpm	Design	: B
Voltage	: 208-230/460 V	Locked rotor torque	: 250 %
Rated current	: 3.65-3.30/1.65 A	Breakdown torque	: 300 %
Insulation class	: F		

Notes:
Downloaded from <http://dealerselectric.com>
Generated for Model #001120T3E145T-SG

Performed by

Checked

1 2 3 4 5 6 7 8

A

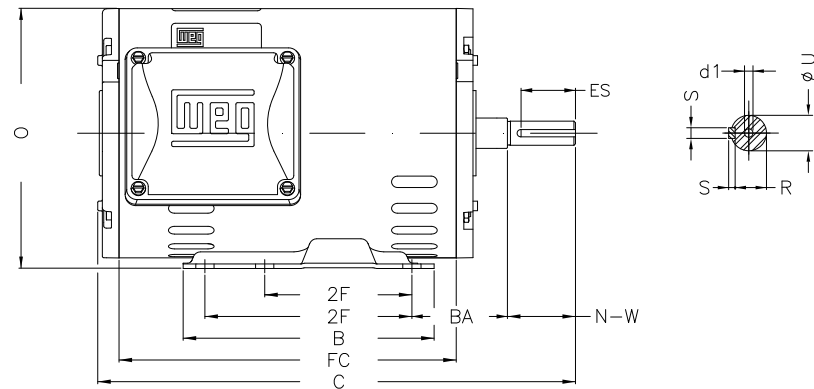
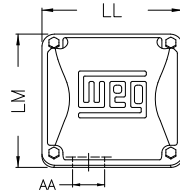
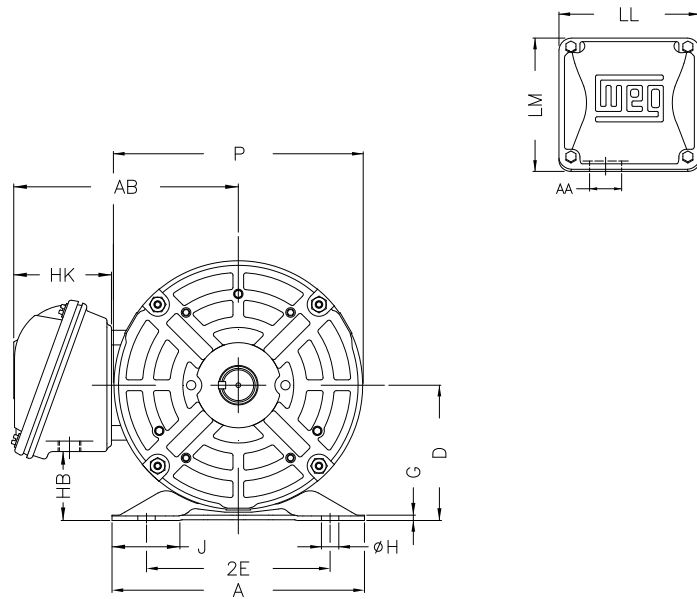
B

C

D

E

F



Notes: Downloaded from <http://dealerselectric.com>
Generated for Model #001120T3E145T-SG

Performed by:

Checked:

Customer:

W01 (Rolled Steel) General Purpose ODP

Three-phase induction motor
Frame 143/5T - ODP

12-SEP-2016



P	AB	J	2E	A
6.456	5.882	1.732	5.500	6.535
H	G	HB	HK	T
0.343	0.120	1.783	2.638	0.004
O	FC	2F	B	C
6.724	7.480	4.000/5.000	6.496	11.181
BA	N-W	ES	d1	S
2.250	2.250	1.417	A 3,15	0.187
U	AA	depth	R	LL
0.875	1.118"	0.187	0.771	4.543
LM	BB	D	CH	
4.106	0.004	3.500	1.377	

1 2 3 4 5 6 7 8

A

LOW VOLTAGE

HIGH VOLTAGE

B



C



D

E

F

Notes: Downloaded from <http://dealerselectric.com>
 Generated for Model #001120T3E145T-SG

Performed by:

Checked:

Customer:

W01 (Rolled Steel) General Purpose ODP

Three-phase induction motor
 Frame 143/5T - IP21

12-SEP-2016

