



Dealers Industrial Equipment

No.:

Date: 12-SEP-2016

Customer :

TECHNICAL PROPOSAL

Three-phase induction motor - Squirrel cage rotor

Product line : Three-Phase : NEMA 56 Frames - ODP

Catalog Number : 00112OS3EF56

List Price : \$394

Notes:

Downloaded from <http://dealerselectric.com>

Generated for Model #00112OS3EF56

Performed by:

Checked:



Dealers Industrial Equipment

No.:

Date: 12-SEP-2016

DATA SHEET Three-phase induction motor - Squirrel cage rotor

Customer :
Product line : Three-Phase : NEMA 56 Frames - ODP

Frame : F56H
Output : 1 HP
Frequency : 60 Hz
Poles : 6
Full load speed : 1120 rpm
Slip : 6.67 %
Voltage : 208-230/460 V
Rated current : 3.60-3.45/1.73 A
Locked rotor current : 15.9/7.94 A
Locked rotor current (I_L/I_n) : 4.6
No-load current : 2.30/1.15 A
Full load torque : 4.63 lb.ft
Locked rotor torque : 220 %
Breakdown torque : 230 %
Design : A
Insulation class : B
Temperature rise : 80 K
Locked rotor time : 15 s (hot)
Service factor : 1.15 (1.00 at 208V)
Duty cycle : S1
Ambient temperature : -20°C - +40°C
Altitude : 1000 m
Degree of Protection : IP21
Approximate weight : 41 lb
Moment of inertia : 0.12980 sq.ft.lb
Noise level : ---

	D.E.	N.D.E.
Bearings	6204 ZZ	6203 ZZ
Regreasing interval	---	---
Grease amount	---	---

Load	Power factor	Efficiency (%)
100%	0.73	74.0
75%	0.64	74.0
50%	0.51	72.0

Notes:
Downloaded from <http://dealerselectric.com>
Generated for Model #00112OS3EF56

Performed by

Checked

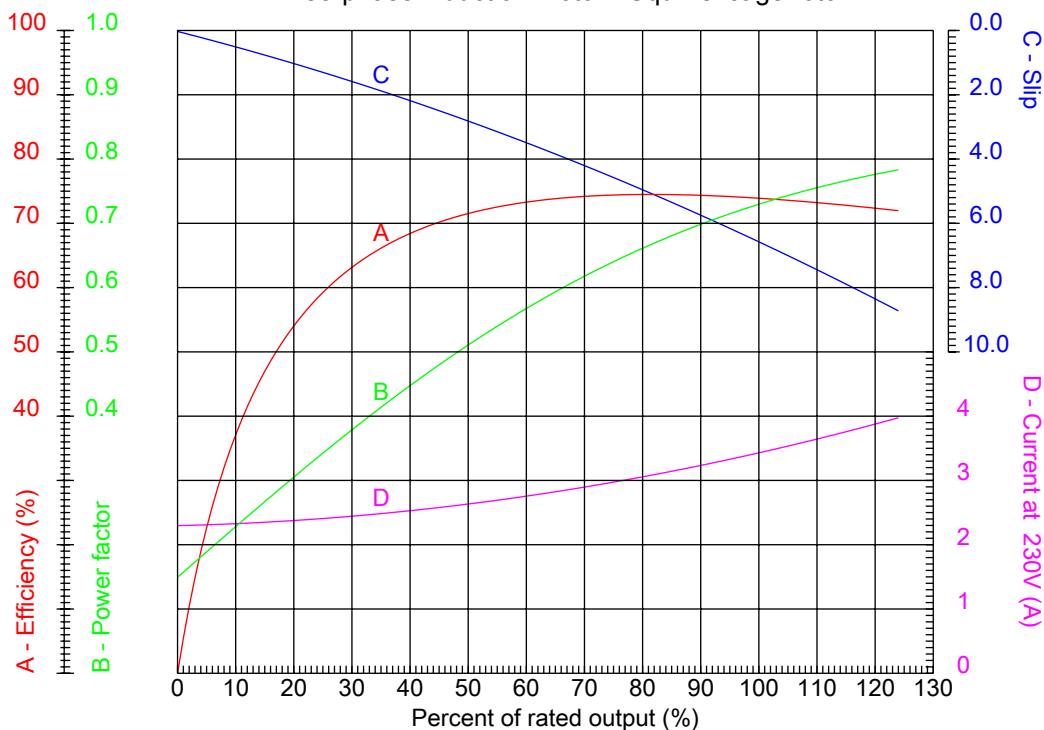


Dealers Industrial Equipment

No.:

Date: 12-SEP-2016

PERFORMANCE CURVES RELATED TO RATED OUTPUT Three-phase induction motor - Squirrel cage rotor



Customer :
 Product line : Three-Phase : NEMA 56 Frames - ODP

Frame	: F56H	Locked rotor current (I _l /I _n)	: 4.6
Output	: 1 HP	Duty cycle	: S1
Frequency	: 60 Hz	Service factor	: 1.15 (1.00 at 208V)
Full load speed	: 1120 rpm	Design	: A
Voltage	: 208-230/460 V	Locked rotor torque	: 220 %
Rated current	: 3.60-3.45/1.73 A	Breakdown torque	: 230 %
Insulation class	: B		

Notes:
 Downloaded from <http://dealerselectric.com>
 Generated for Model #00112OS3EF56

Performed by

Checked



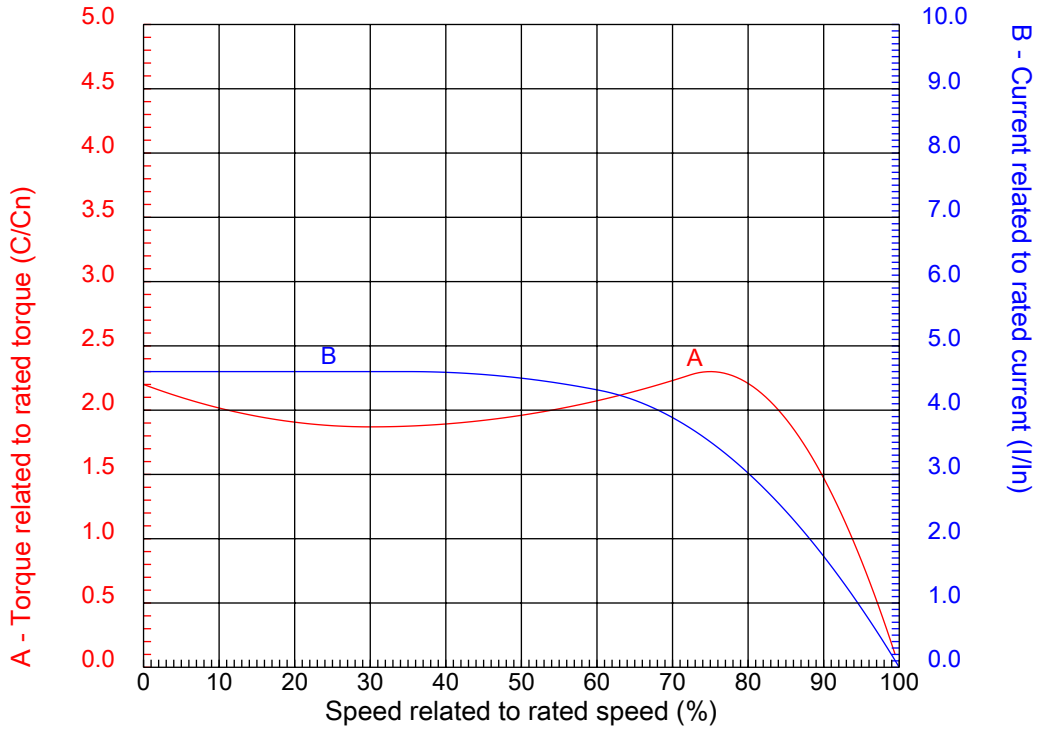
Dealers Industrial Equipment

No.:

Date: 12-SEP-2016

CHARACTERISTIC CURVES RELATED TO SPEED

Three-phase induction motor - Squirrel cage rotor



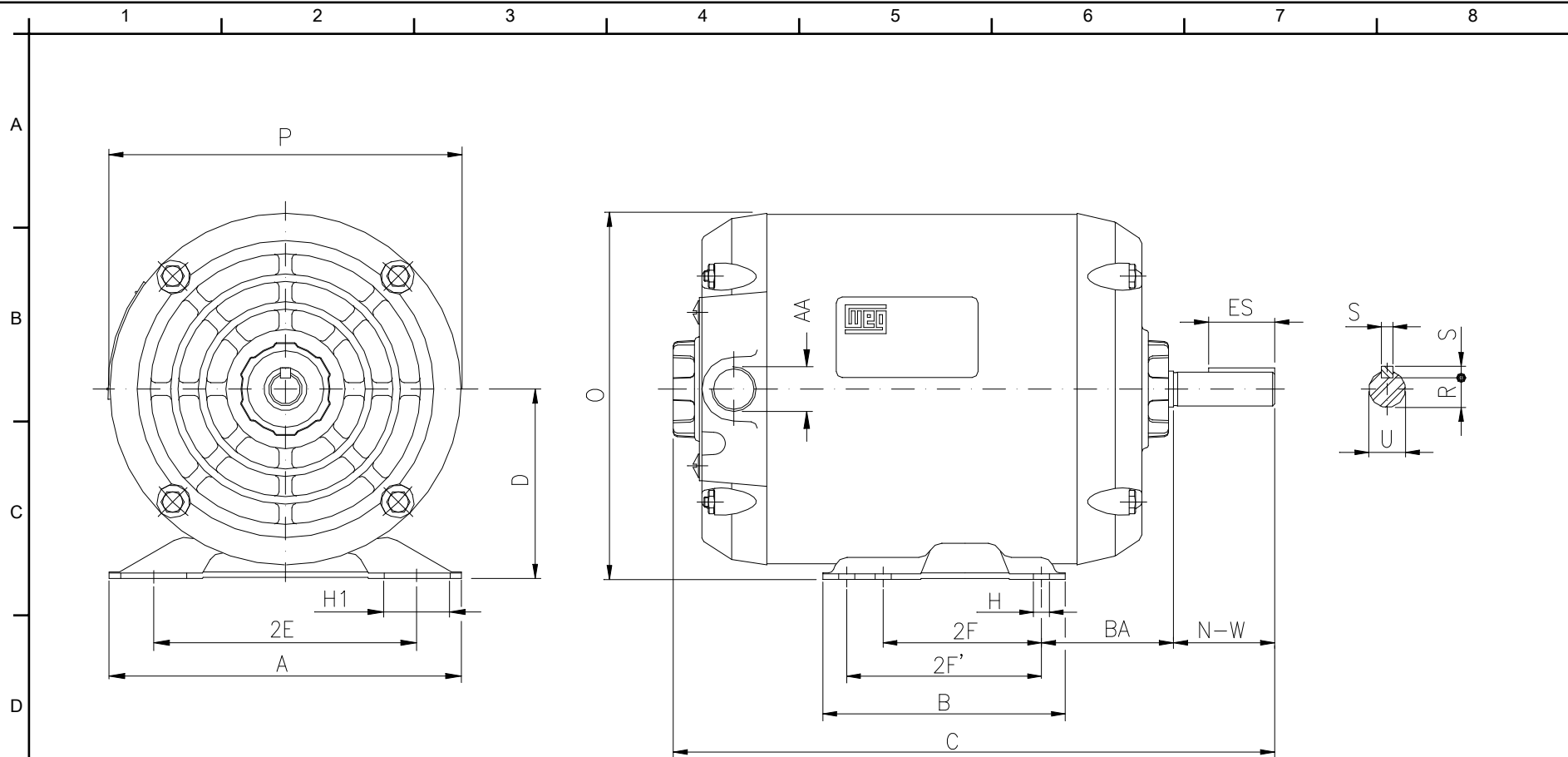
Customer :
Product line : Three-Phase : NEMA 56 Frames - ODP

Frame	: F56H	Locked rotor current (I _l /I _n)	: 4.6
Output	: 1 HP	Duty cycle	: S1
Frequency	: 60 Hz	Service factor	: 1.15 (1.00 at 208V)
Full load speed	: 1120 rpm	Design	: A
Voltage	: 208-230/460 V	Locked rotor torque	: 220 %
Rated current	: 3.60-3.45/1.73 A	Breakdown torque	: 230 %
Insulation class	: B		

Notes:
Downloaded from <http://dealerselectric.com>
Generated for Model #00112OS3EF56

Performed by

Checked



Notes: Downloaded from <http://dealerselectric.com>
 Generated for Model #00112OS3EF56

Performed by:

Checked:

Customer:

Three-Phase : NEMA 56 Frames - ODP

Three-phase induction motor
 Frame F56H - IP21

12-SEP-2016



2E 4.874	H 0.342	A 6.535	2F 3.000	B 6.496
G 3.04	BA 2.750	J 1.220	K 5.000	P 6.457
ES 1.102	S 0.187	N-W 1.874	depth 0.187	U 0.6250
R 0.517	d1 A 3.15	D 3.500	O 6.732	C 13.464
AA NPT 1/2"				

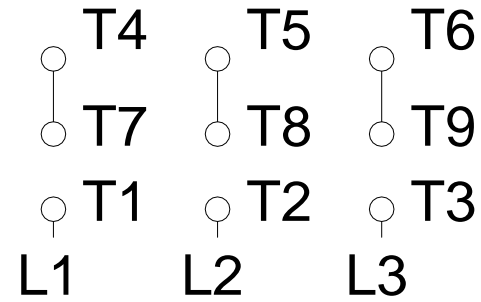
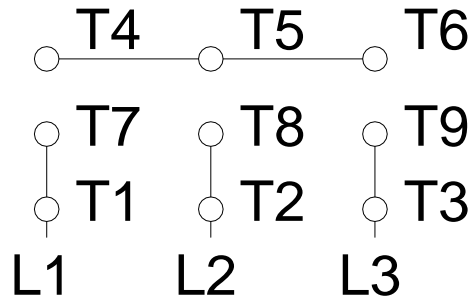
1 2 3 4 5 6 7 8

A

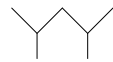
LOW VOLTAGE

HIGH VOLTAGE

B



C



D

E

F

Notes: Downloaded from http://dealerselectric.com Generated for Model #00112OS3EF56		
Performed by:		
Checked:		
Customer:		
Three-Phase : NEMA 56 Frames - ODP		
Three-phase induction motor Frame F56H - IP21	12-SEP-2016	