



Dealers Industrial Equipment

No.:

Date: 12-SEP-2016

Customer :

TECHNICAL PROPOSAL

Three-phase induction motor - Squirrel cage rotor

Product line : Three-Phase: W21 IE3 IEC Tru-Metric - TEFC (IP55) Multi-Mounting Aluminum
Frame
Catalog Number : 00112ET3WAL100L
List Price : \$746

Notes:
Downloaded from <http://dealerselectric.com>
Generated for Model #00112ET3WAL100L

Performed by:

Checked:



Dealers Industrial Equipment

No.:

Date: 12-SEP-2016

DATA SHEET Three-phase induction motor - Squirrel cage rotor

Customer :
 Product line : Three-Phase: W21 IE3 IEC Tru-Metric - TEFC (IP55) Multi-Mounting Aluminum Frame

Frame : 100L
 Output : 1.5 HP
 Frequency : 60 Hz
 Poles : 6
 Full load speed : 1150 rpm
 Slip : 4.17 %
 Voltage : 460 V
 Rated current : 2.31 A
 Locked rotor current : 13.2 A
 Locked rotor current (I_L/I_n) : 5.7
 No-load current : 1.44 A
 Full load torque : 6.76 lb.ft
 Locked rotor torque : 210 %
 Breakdown torque : 280 %
 Design : N
 Insulation class : F
 Temperature rise : 80 K
 Locked rotor time : 42 s (hot)
 Service factor : 1.25
 Duty cycle : S1
 Ambient temperature : -20°C - +40°C
 Altitude : 1000 m
 Degree of Protection : IP55
 Approximate weight : 63 lb
 Moment of inertia : 0.26103 sq.ft.lb
 Noise level : 44 dB(A)

	D.E.	N.D.E.	Load	Power factor	Efficiency (%)
Bearings	6206 ZZ	6205 ZZ	100%	0.70	84.0
Regreasing interval	---	---	75%	0.63	83.0
Grease amount	---	---	50%	0.50	82.5

Notes:
 Downloaded from <http://dealerselectric.com>
 Generated for Model #00112ET3WAL100L

Performed by

Checked



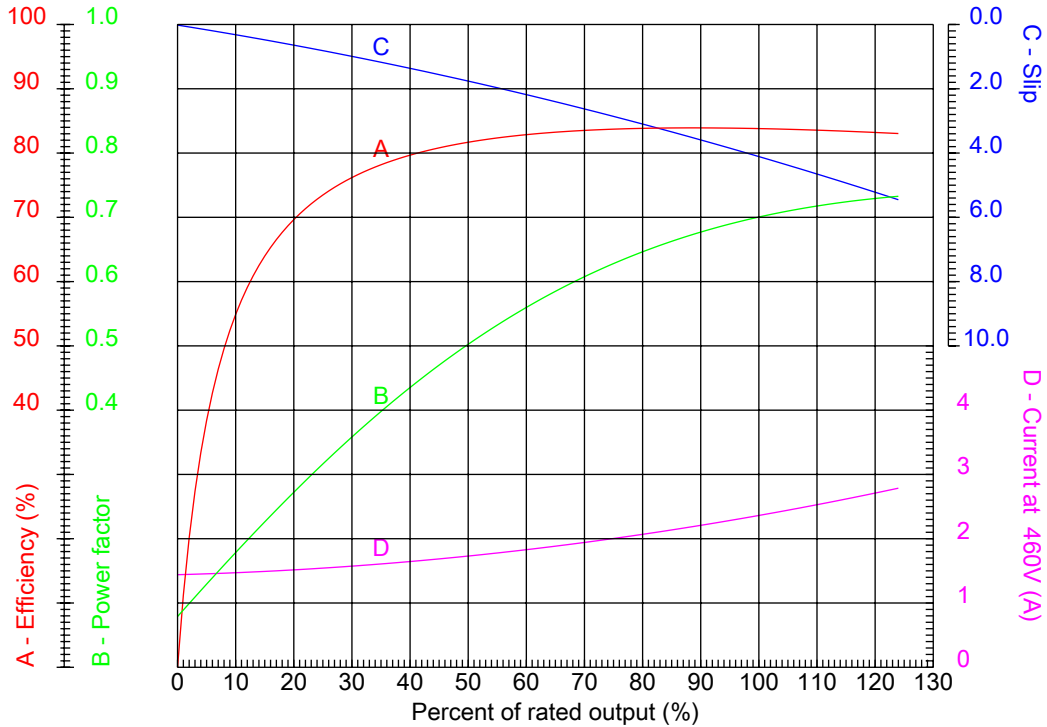
Dealers Industrial Equipment

No.:

Date: 12-SEP-2016

PERFORMANCE CURVES RELATED TO RATED OUTPUT

Three-phase induction motor - Squirrel cage rotor



Customer :
 Product line : Three-Phase: W21 IE3 IEC Tru-Metric - TEFC (IP55) Multi-Mounting Aluminum Frame

Frame : 100L	Locked rotor current (I _L /I _n) : 5.7
Output : 1.5 HP	Duty cycle : S1
Frequency : 60 Hz	Service factor : 1.25
Full load speed : 1150 rpm	Design : N
Voltage : 460 V	Locked rotor torque : 210 %
Rated current : 2.31 A	Breakdown torque : 280 %
Insulation class : F	

Notes:
 Downloaded from <http://dealerselectric.com>
 Generated for Model #00112ET3WAL100L

Performed by

Checked



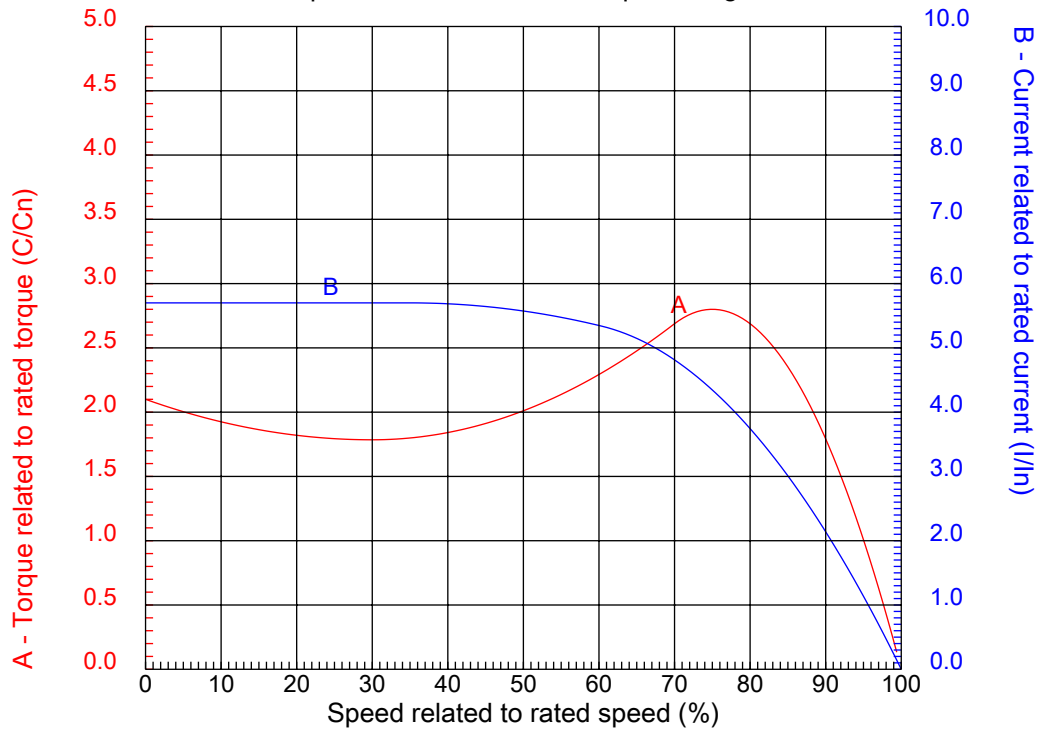
Dealers Industrial Equipment

No.:

Date: 12-SEP-2016

CHARACTERISTIC CURVES RELATED TO SPEED

Three-phase induction motor - Squirrel cage rotor



Customer :
Product line : Three-Phase: W21 IE3 IEC Tru-Metric - TEFC (IP55) Multi-Mounting Aluminum Frame

Frame	: 100L	Locked rotor current (I _l /I _n)	: 5.7
Output	: 1.5 HP	Duty cycle	: S1
Frequency	: 60 Hz	Service factor	: 1.25
Full load speed	: 1150 rpm	Design	: N
Voltage	: 460 V	Locked rotor torque	: 210 %
Rated current	: 2.31 A	Breakdown torque	: 280 %
Insulation class	: F		

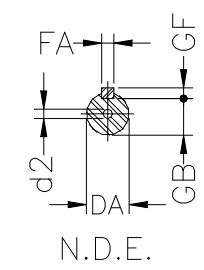
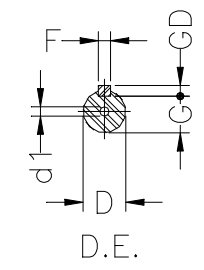
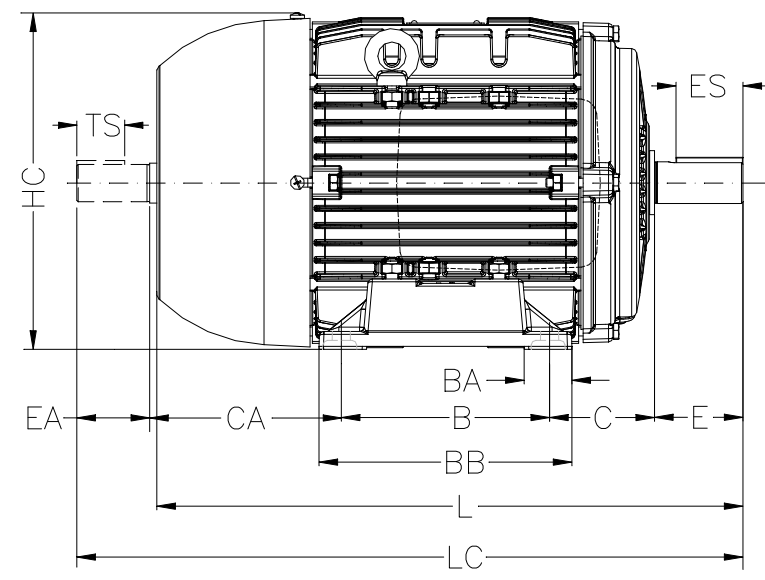
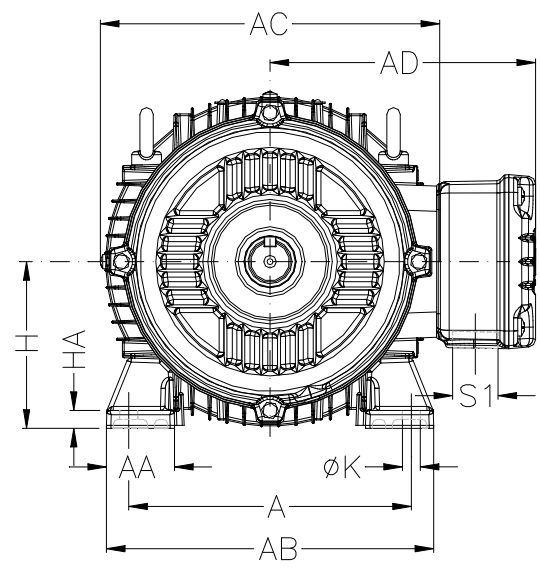
Notes:
Downloaded from <http://dealerselectric.com>
Generated for Model #00112ET3WAL100L

Performed by

Checked

1 2 3 4 5 6 7 8

A
B
C
D
E
F



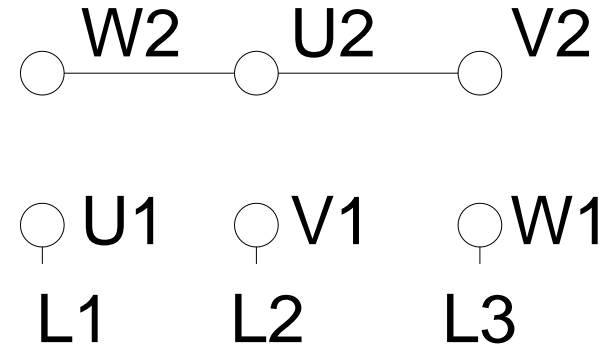
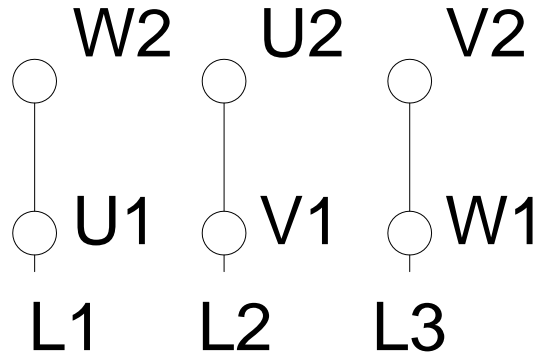
Notes: Downloaded from <http://dealerselectric.com>
Generated for Model #00112ET3WAL100L

A	AA	AB	AC	AD
160	40	196	200	165
B	BA	BB	C	CA
140	30	170	63	118
D	E	ES	F	G
28j6	60	45	8	24
GD	DA	EA	TS	FA
7	22j6	50	36	6
GB	GF	H	HA	HC
18.5	6	100	12	198
HD	K	L	LC	d1
260	12	376	431	DM10
d2				
DM8				

Performed by:
Checked:
Customer:
Three-Phase: W21 IE3 IEC Tru-Metric - TEFC (IP55) Multi-Mounting Aluminum
Three-phase induction motor
Frame 100L - IP55
12-SEP-2016

LOW VOLTAGE

HIGH VOLTAGE



Notes: Downloaded from http://dealerselectric.com Generated for Model #00112ET3WAL100L		
Performed by:		
Checked:		
Customer:		
Three-Phase: W21 IE3 IEC Tru-Metric - TEFC (IP55) Multi-Mounting Aluminum		
Three-phase induction motor Frame 100L - IP55	12-SEP-2016	