



# Dealers Industrial Equipment

No.:

Date: 12-SEP-2016

Customer :

## TECHNICAL PROPOSAL

### Three-phase induction motor - Squirrel cage rotor

Product line : Three-Phase : NEMA 56 Frames - TEFC

Catalog Number : 00112ES3EF56C

List Price : \$454

#### Notes:

Downloaded from <http://dealerselectric.com>

Generated for Model #00112ES3EF56C

Performed by:

Checked:



# Dealers Industrial Equipment

No.:

Date: 12-SEP-2016

## DATA SHEET Three-phase induction motor - Squirrel cage rotor

Customer :  
Product line : Three-Phase : NEMA 56 Frames - TEFC

Frame : F56H  
Output : 1 HP  
Frequency : 60 Hz  
Poles : 6  
Full load speed : 1160 rpm  
Slip : 3.33 %  
Voltage : 208-230/460 V  
Rated current : 4.04-3.65/1.83 A  
Locked rotor current : 20.4/10.2 A  
Locked rotor current (I<sub>L</sub>/I<sub>n</sub>) : 5.6  
No-load current : 2.65/1.33 A  
Full load torque : 4.47 lb.ft  
Locked rotor torque : 250 %  
Breakdown torque : 300 %  
Design : A  
Insulation class : F  
Temperature rise : 80 K  
Locked rotor time : 15 s (hot)  
Service factor : 1.15 (1.00 at 208V)  
Duty cycle : S1  
Ambient temperature : -20°C - +40°C  
Altitude : 1000 m  
Degree of Protection : IP55  
Approximate weight : lb  
Moment of inertia : 0.17774 sq.ft.lb  
Noise level : ---

	D.E.	N.D.E.
Bearings	6204 ZZ	6203 ZZ
Regreasing interval	---	---
Grease amount	---	---

Load	Power factor	Efficiency (%)
100%	0.62	81.5
75%	0.53	81.5
50%	0.41	78.5

Notes:  
Downloaded from <http://dealerselectric.com>  
Generated for Model #00112ES3EF56C

Performed by

Checked



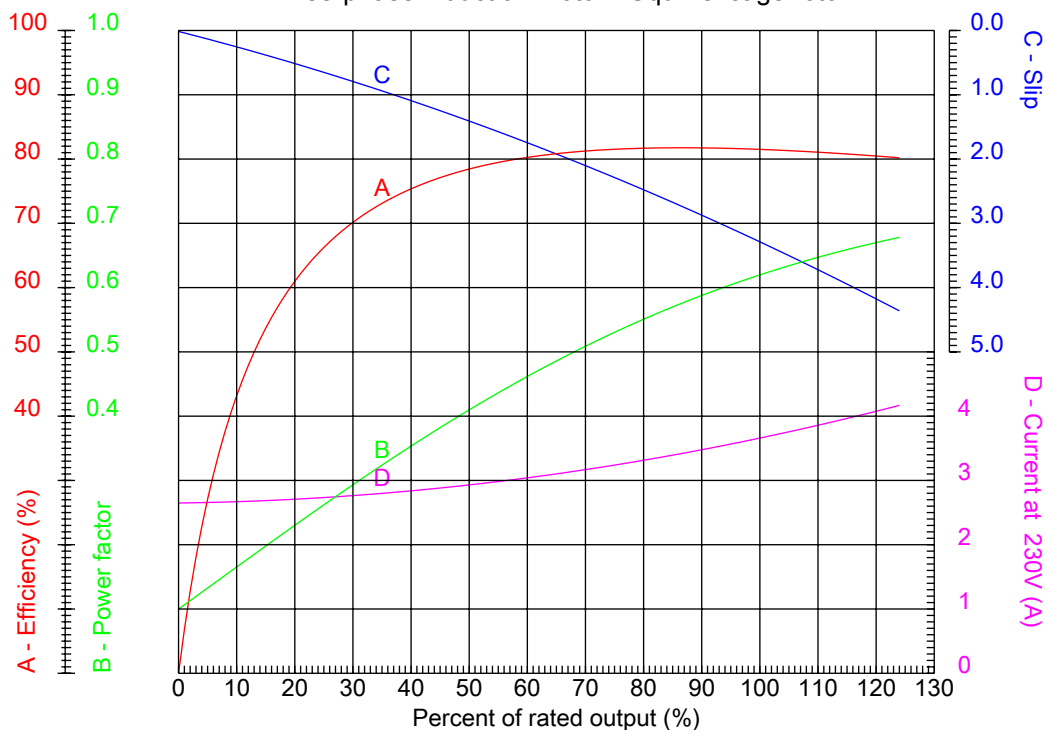
# Dealers Industrial Equipment

No.:

Date: 12-SEP-2016

## PERFORMANCE CURVES RELATED TO RATED OUTPUT

Three-phase induction motor - Squirrel cage rotor



Customer :  
Product line : Three-Phase : NEMA 56 Frames - TEFC

Frame	: F56H	Locked rotor current (I <sub>l</sub> /I <sub>n</sub> )	: 5.6
Output	: 1 HP	Duty cycle	: S1
Frequency	: 60 Hz	Service factor	: 1.15 (1.00 at 208V)
Full load speed	: 1160 rpm	Design	: A
Voltage	: 208-230/460 V	Locked rotor torque	: 250 %
Rated current	: 4.04-3.65/1.83 A	Breakdown torque	: 300 %
Insulation class	: F		

Notes:  
Downloaded from <http://dealerselectric.com>  
Generated for Model #00112ES3EF56C

Performed by

Checked



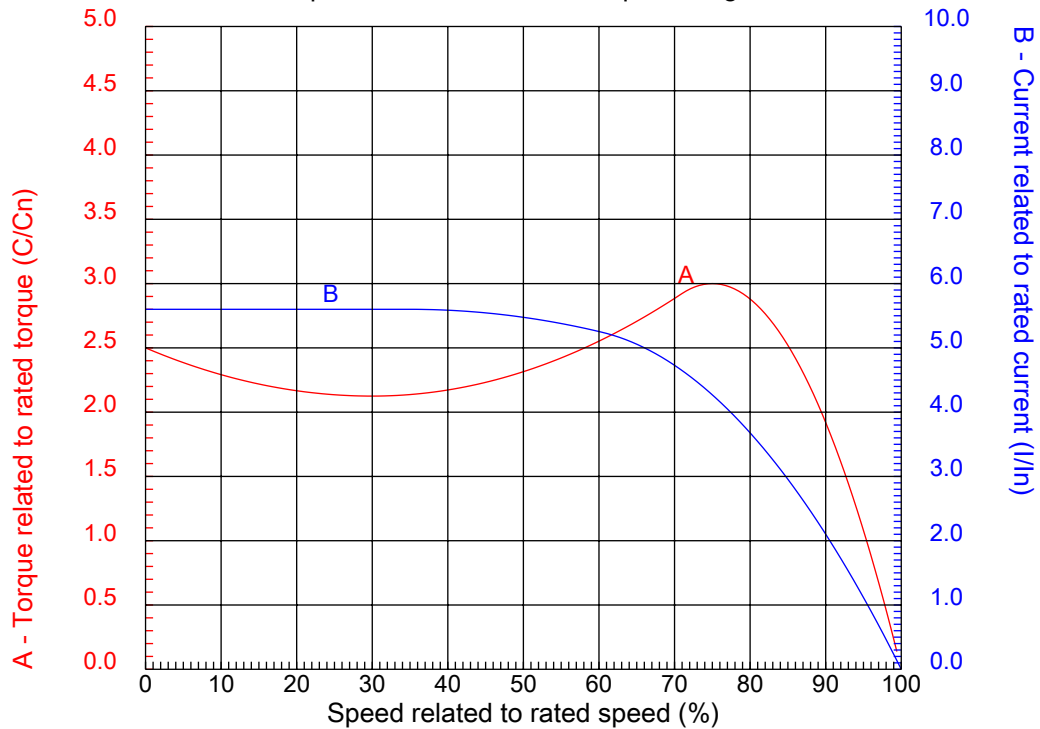
# Dealers Industrial Equipment

No.:

Date: 12-SEP-2016

## CHARACTERISTIC CURVES RELATED TO SPEED

Three-phase induction motor - Squirrel cage rotor



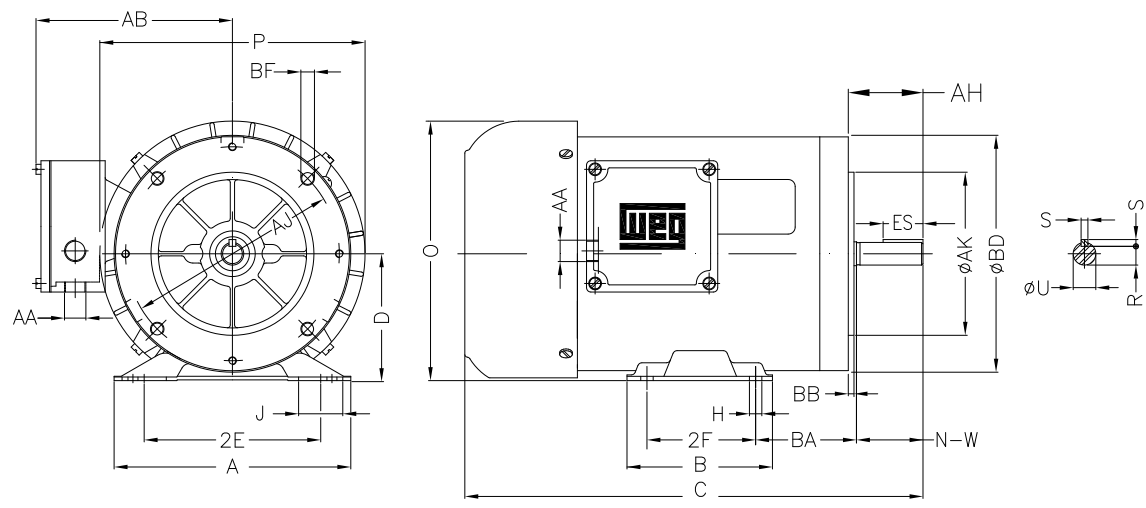
Customer :  
Product line : Three-Phase : NEMA 56 Frames - TEFC

Frame	: F56H	Locked rotor current (I/Ih)	: 5.6
Output	: 1 HP	Duty cycle	: S1
Frequency	: 60 Hz	Service factor	: 1.15 (1.00 at 208V)
Full load speed	: 1160 rpm	Design	: A
Voltage	: 208-230/460 V	Locked rotor torque	: 250 %
Rated current	: 4.04-3.65/1.83 A	Breakdown torque	: 300 %
Insulation class	: F		

Notes:  
Downloaded from <http://dealerselectric.com>  
Generated for Model #00112ES3EF56C

Performed by

Checked



Notes: Downloaded from <http://dealerselectric.com>  
 Generated for Model #00112ES3EF56C

Performed by:

Checked:

Customer:

Three-Phase : NEMA 56 Frames - TEFC

Three-phase induction motor  
 Frame F56H - IP55

12-SEP-2016



2E	2F	H	H1	BA
4.874	3.000	0.342	1.220	2.750
A	B	C	D	G
6.535	6.496	13.464	3.500	3.04
J	K	O	P	S
1.220	5.000	7.165	7.323	0.187
ES	R	N-W	U	AA
1.102	0.517	1.874	0.6250	2xNPT 1/2"
d1	Flange	AJ	AK	BD
A 3.15	FC-149	5.874	4.500	6.535
BF	BB	AH		
UNC 3/8"x16-2B	0.157	2.063		

1 2 3 4 5 6 7 8

A

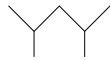
### LOW VOLTAGE

### HIGH VOLTAGE

B



C



D

E

F

Notes: Downloaded from <http://dealerselectric.com>  
 Generated for Model #00112ES3EF56C

Performed by:

Checked:

Customer:

Three-Phase : NEMA 56 Frames - TEFC

Three-phase induction motor  
 Frame F56H - IP55

12-SEP-2016

