



Dealers Industrial Equipment

No.:

Date: 12-SEP-2016

Customer :

TECHNICAL PROPOSAL

Three-phase induction motor - Squirrel cage rotor

Product line : Three-Phase : NEMA 56 Frames - TEFC

Catalog Number : 00112ES3EF56

List Price : \$432

Notes:

Downloaded from <http://dealerselectric.com>

Generated for Model #00112ES3EF56

Performed by:

Checked:



Dealers Industrial Equipment

No.:

Date: 12-SEP-2016

DATA SHEET Three-phase induction motor - Squirrel cage rotor

Customer :
Product line : Three-Phase : NEMA 56 Frames - TEFC

Frame : F56H
Output : 1 HP
Frequency : 60 Hz
Poles : 6
Full load speed : 1160 rpm
Slip : 3.33 %
Voltage : 208-230/460 V
Rated current : 4.04-3.65/1.83 A
Locked rotor current : 20.4/10.2 A
Locked rotor current (I_L/I_n) : 5.6
No-load current : 2.65/1.33 A
Full load torque : 4.47 lb.ft
Locked rotor torque : 250 %
Breakdown torque : 300 %
Design : A
Insulation class : F
Temperature rise : 80 K
Locked rotor time : 15 s (hot)
Service factor : 1.15 (1.00 at 208V)
Duty cycle : S1
Ambient temperature : -20°C - +40°C
Altitude : 1000 m
Degree of Protection : IP55
Approximate weight : lb
Moment of inertia : 0.17774 sq.ft.lb
Noise level : ---

| | D.E. | N.D.E. |
|---------------------|---------|---------|
| Bearings | 6204 ZZ | 6203 ZZ |
| Regreasing interval | --- | --- |
| Grease amount | --- | --- |

| Load | Power factor | Efficiency (%) |
|------|--------------|----------------|
| 100% | 0.62 | 81.5 |
| 75% | 0.53 | 81.5 |
| 50% | 0.41 | 78.5 |

Notes:
Downloaded from <http://dealerselectric.com>
Generated for Model #00112ES3EF56

Performed by

Checked



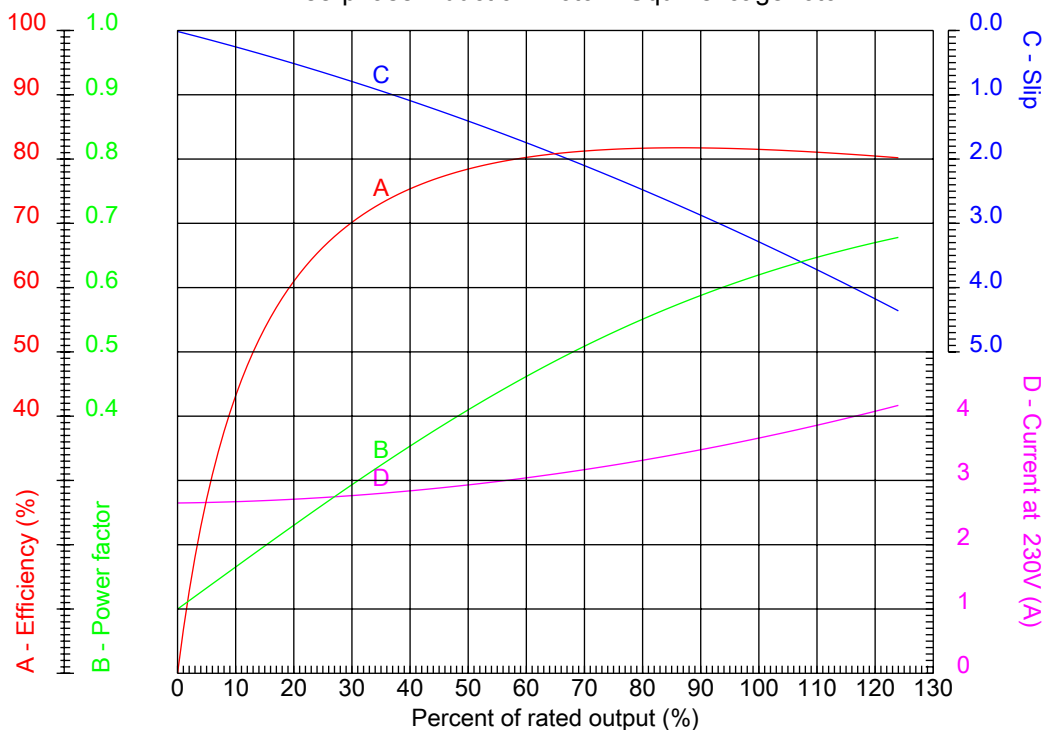
Dealers Industrial Equipment

No.:

Date: 12-SEP-2016

PERFORMANCE CURVES RELATED TO RATED OUTPUT

Three-phase induction motor - Squirrel cage rotor



Customer :
 Product line : Three-Phase : NEMA 56 Frames - TEFC

| | |
|----------------------------------|--|
| Frame : F56H | Locked rotor current (I _L /I _n) : 5.6 |
| Output : 1 HP | Duty cycle : S1 |
| Frequency : 60 Hz | Service factor : 1.15 (1.00 at 208V) |
| Full load speed : 1160 rpm | Design : A |
| Voltage : 208-230/460 V | Locked rotor torque : 250 % |
| Rated current : 4.04-3.65/1.83 A | Breakdown torque : 300 % |
| Insulation class : F | |

Notes:
 Downloaded from <http://dealerselectric.com>
 Generated for Model #00112ES3EF56

Performed by

Checked



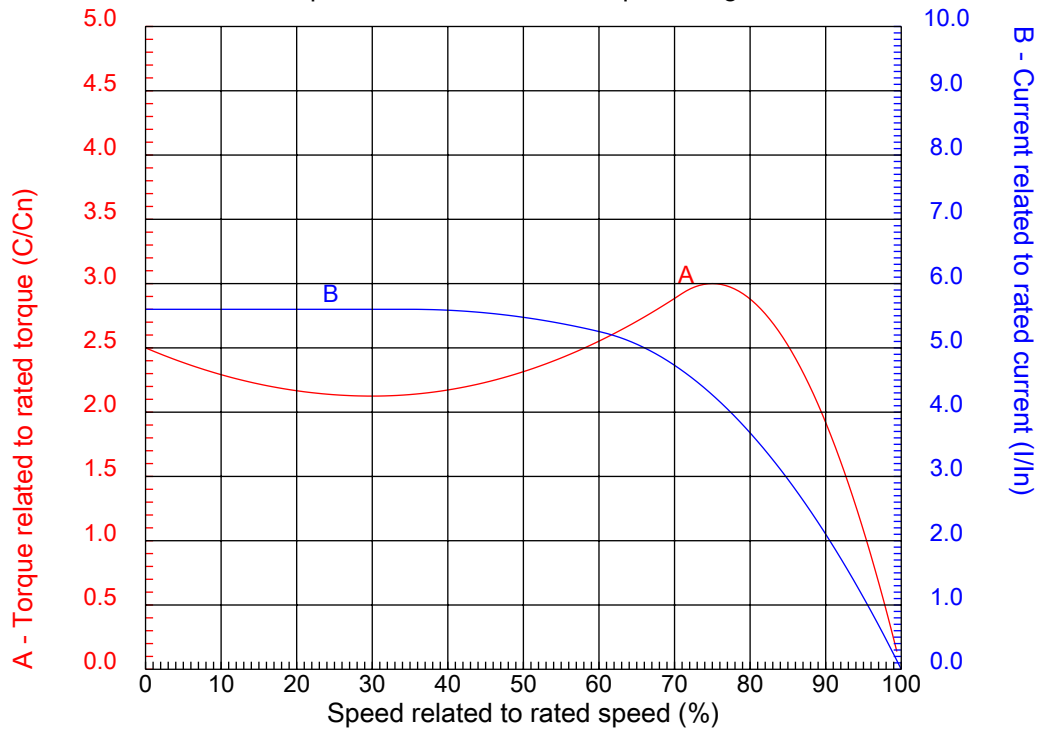
Dealers Industrial Equipment

No.:

Date: 12-SEP-2016

CHARACTERISTIC CURVES RELATED TO SPEED

Three-phase induction motor - Squirrel cage rotor



Customer :
Product line : Three-Phase : NEMA 56 Frames - TEFC

| | | | |
|------------------|--------------------|--|-----------------------|
| Frame | : F56H | Locked rotor current (I _l /I _n) | : 5.6 |
| Output | : 1 HP | Duty cycle | : S1 |
| Frequency | : 60 Hz | Service factor | : 1.15 (1.00 at 208V) |
| Full load speed | : 1160 rpm | Design | : A |
| Voltage | : 208-230/460 V | Locked rotor torque | : 250 % |
| Rated current | : 4.04-3.65/1.83 A | Breakdown torque | : 300 % |
| Insulation class | : F | | |

Notes:
Downloaded from <http://dealerselectric.com>
Generated for Model #00112ES3EF56

Performed by

Checked

1 2 3 4 5 6 7 8

A

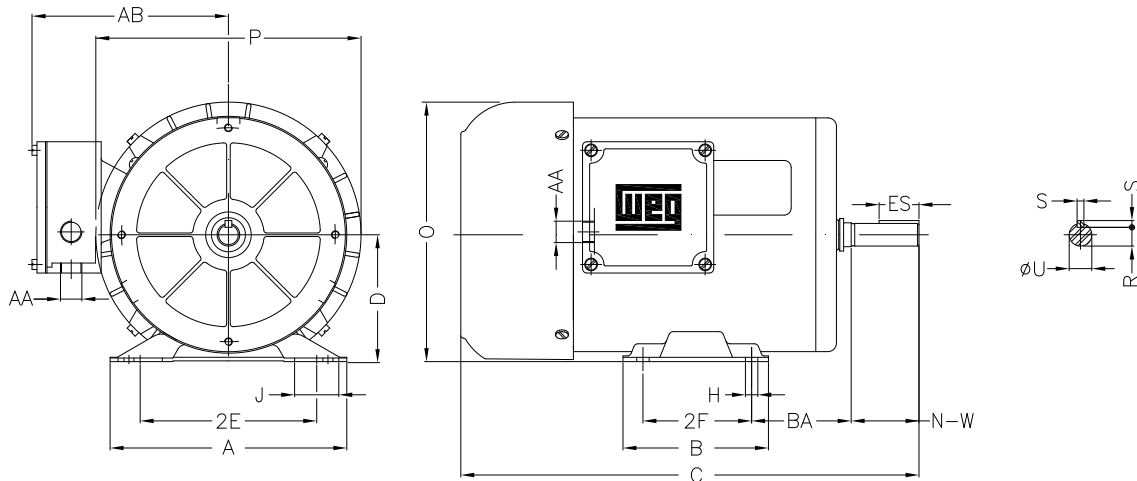
B

C

D

E

F



Notes: Downloaded from <http://dealerselectric.com>
Generated for Model #00112ES3EF56

Performed by:

Checked:

Customer:

Three-Phase : NEMA 56 Frames - TEFC

Three-phase induction motor
Frame F56H - IP55

12-SEP-2016



| | | | | |
|--------------|-------------|--------------|-------------|------------------|
| 2E 4.874 | 2F 3.000 | H 0.342 | H1 1.220 | BA 2.750 |
| A 6.535 | B 6.496 | C 13.464 | D 3.500 | G 3.04 |
| J 1.220 | K 5.000 | O 7.165 | P 7.323 | S 0.187 |
| ES 1.102 | R 0.517 | N-W 1.874 | U 0.6250 | AA 2xNPT 1/2" |
| d1 A 3.15 | | | | |

1 2 3 4 5 6 7 8

A

LOW VOLTAGE

HIGH VOLTAGE

B



C

L1 L2 L3

L1 L2 L3



D

E

F

Notes: Downloaded from <http://dealerselectric.com>
 Generated for Model #00112ES3EF56

Performed by:

Checked:

Customer:

Three-Phase : NEMA 56 Frames - TEFC

Three-phase induction motor
 Frame F56H - IP55

12-SEP-2016

