



Dealers Industrial Equipment

No.:

Date: 12-SEP-2016

Customer :

TECHNICAL PROPOSAL

Three-phase induction motor - Squirrel cage rotor

Product line : Brake Motors : Three-Phase - High Efficiency  
Catalog Number : 00112EP3EBM145T  
List Price : \$>(discontinued)</span>

Notes:  
Downloaded from <http://dealerselectric.com>  
Generated for Model #00112EP3EBM145T

Performed by:

Checked:



# Dealers Industrial Equipment

No.:

Date: 12-SEP-2016

## DATA SHEET Three-phase induction motor - Squirrel cage rotor

Customer :  
Product line : Brake Motors : Three-Phase - High Efficiency

Frame : 145T  
Output : 1 HP  
Frequency : 60 Hz  
Poles : 6  
Full load speed : 1155 rpm  
Slip : 3.75 %  
Voltage : 230/460 V  
Rated current : 3.40/1.70 A  
Locked rotor current : 23.1/11.6 A  
Locked rotor current (I<sub>L</sub>/I<sub>n</sub>) : 6.8  
No-load current : 2.60/1.30 A  
Full load torque : 4.49 lb.ft  
Locked rotor torque : 260 %  
Breakdown torque : 300 %  
Design : B  
Insulation class : F  
Temperature rise : 80 K  
Locked rotor time : 22 s (hot)  
Service factor : 1.25  
Duty cycle : S1  
Ambient temperature : -20°C - +40°C  
Altitude : 1000 m  
Degree of Protection : IP55  
Approximate weight : 49 lb  
Moment of inertia : 0.13289 sq.ft.lb  
Noise level : 49 dB(A)

	D.E.	N.D.E.
Bearings	6205 ZZ	6205 ZZ
Regreasing interval	---	---
Grease amount	---	---

Load	Power factor	Efficiency (%)
100%	0.69	80.0
75%	0.60	80.0
50%	0.48	75.5

Notes:  
Downloaded from <http://dealerselectric.com>  
Generated for Model #00112EP3EBM145T

Performed by

Checked



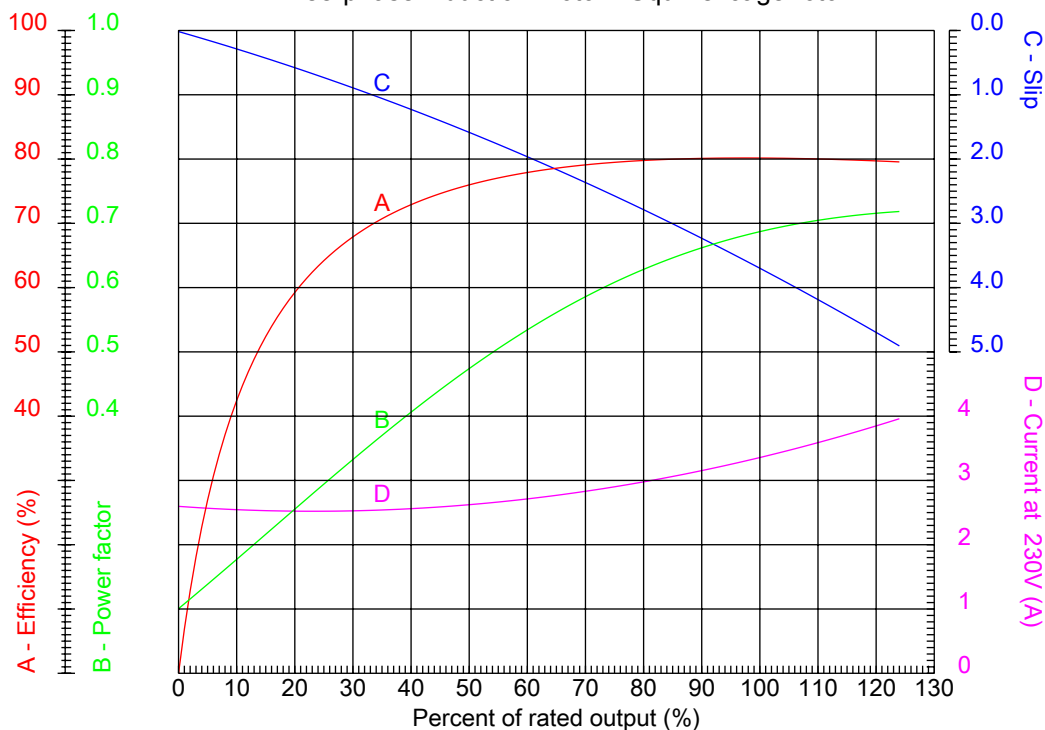
# Dealers Industrial Equipment

No.:

Date: 12-SEP-2016

## PERFORMANCE CURVES RELATED TO RATED OUTPUT

Three-phase induction motor - Squirrel cage rotor



Customer :  
 Product line : Brake Motors : Three-Phase - High Efficiency

Frame	: 145T	Locked rotor current (I <sub>l</sub> /I <sub>n</sub> )	: 6.8
Output	: 1 HP	Duty cycle	: S1
Frequency	: 60 Hz	Service factor	: 1.25
Full load speed	: 1155 rpm	Design	: B
Voltage	: 230/460 V	Locked rotor torque	: 260 %
Rated current	: 3.40/1.70 A	Breakdown torque	: 300 %
Insulation class	: F		

Notes:  
 Downloaded from <http://dealerselectric.com>  
 Generated for Model #00112EP3EBM145T

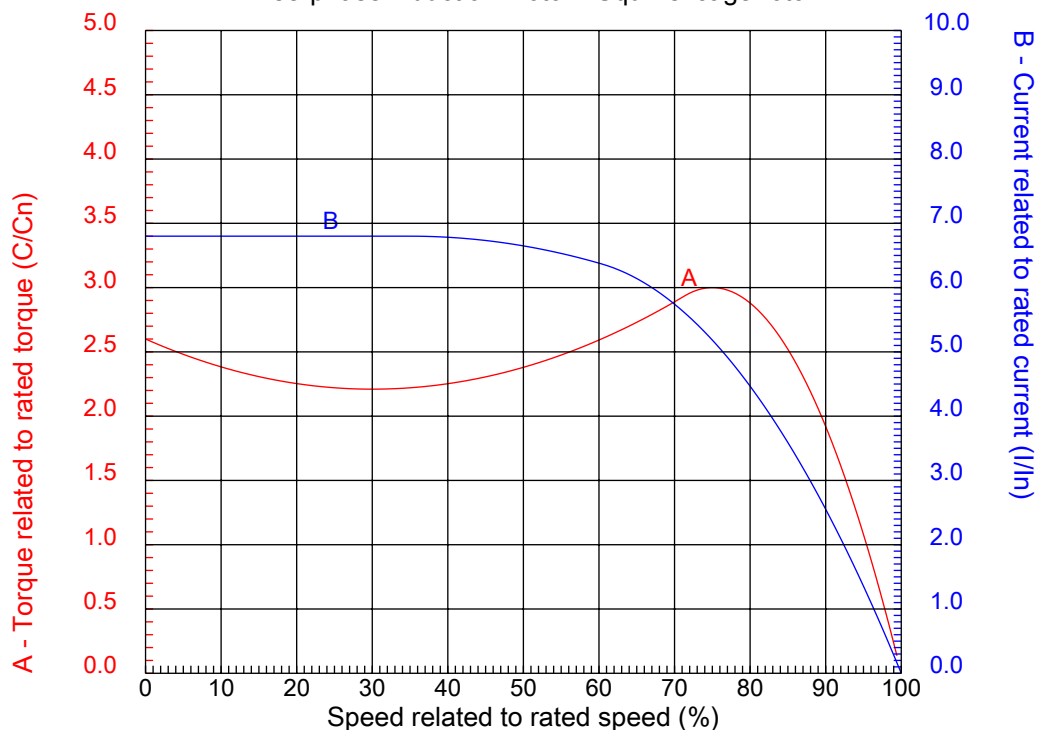
Performed by

Checked



## CHARACTERISTIC CURVES RELATED TO SPEED

Three-phase induction motor - Squirrel cage rotor



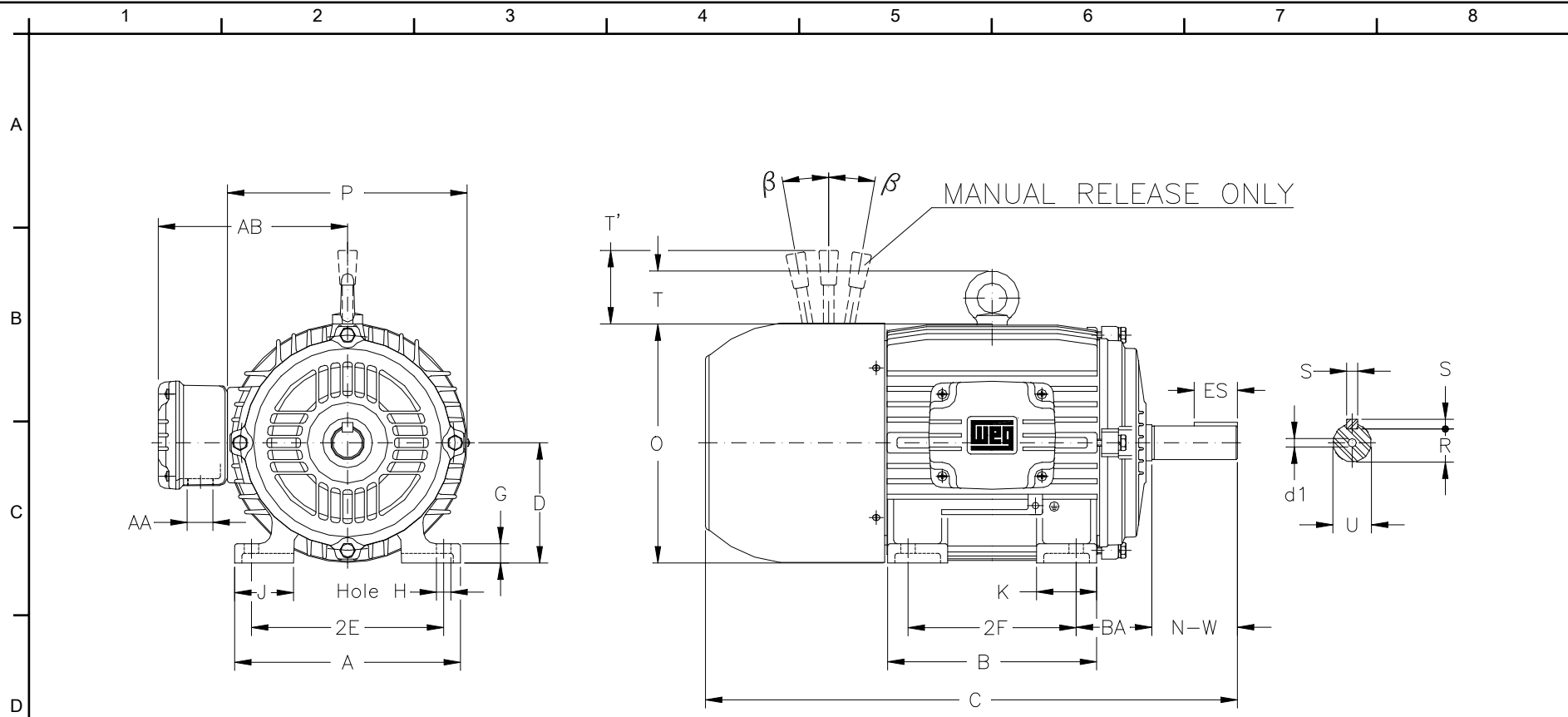
Customer :  
Product line : Brake Motors : Three-Phase - High Efficiency

Frame	: 145T	Locked rotor current (I <sub>l</sub> /I <sub>n</sub> )	: 6.8
Output	: 1 HP	Duty cycle	: S1
Frequency	: 60 Hz	Service factor	: 1.25
Full load speed	: 1155 rpm	Design	: B
Voltage	: 230/460 V	Locked rotor torque	: 260 %
Rated current	: 3.40/1.70 A	Breakdown torque	: 300 %
Insulation class	: F		

Notes:  
Downloaded from <http://dealerselectric.com>  
Generated for Model #00112EP3EBM145T

Performed by

Checked



Notes: Downloaded from <http://dealerselectric.com>  
 Generated for Model #00112EP3EBM145T

Performed by:

Checked:

Customer:

Brake Motors : Three-Phase - High Efficiency

Three-phase induction motor  
 Frame 145T - IP55

12-SEP-2016



2E 5.500	A 6.457	2F 5.000	B 6.142	BA 2.250
J 1.496	K 1.654	P 7.047	ES 1.575	depth 0.187
S 0.187	N-W 2.250	U 0.875	R 0.765	AB 6.102
D 3.500	G 0.547	O 7.000	H 0.344	C 15.773
AA NPT 3/4"	d1 A 4	d2 A 4		

1 2 3 4 5 6 7 8

A

### LOW VOLTAGE

### HIGH VOLTAGE

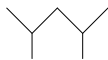
B



C

L1 L2 L3

L1 L2 L3



D

E

F

Notes: Downloaded from <http://dealerselectric.com>  
 Generated for Model #00112EP3EBM145T

Performed by:

Checked:

Customer:

Brake Motors : Three-Phase - High Efficiency

Three-phase induction motor  
 Frame 145T - IP55

12-SEP-2016

