



Dealers Industrial Equipment

No.:

Date: 12-SEP-2016

Customer :

TECHNICAL PROPOSAL

Three-phase induction motor - Squirrel cage rotor

Product line : Three-Phase : Explosion Proof - NEMA Premium

Catalog Number : 00109XT3E182T

List Price : \$1,974

Notes:

Downloaded from <http://dealerselectric.com>

Generated for Model #00109XT3E182T

Performed by:

Checked:



Dealers Industrial Equipment

No.:

Date: 12-SEP-2016

### DATA SHEET Three-phase induction motor - Squirrel cage rotor

Customer :  
Product line : Three-Phase : Explosion Proof - NEMA Premium

Frame : 182T  
Output : 1 HP  
Frequency : 60 Hz  
Poles : 8  
Full load speed : 875 rpm  
Slip : 2.78 %  
Voltage : 208-230/460 V  
Rated current : 5.09-4.60/2.30 A  
Locked rotor current : 27.6/13.8 A  
Locked rotor current (I<sub>L</sub>/I<sub>n</sub>) : 6.0  
No-load current : 3.40/1.70 A  
Full load torque : 5.92 lb.ft  
Locked rotor torque : 300 %  
Breakdown torque : 350 %  
Design : B  
Insulation class : F  
Temperature rise : 80 K  
Locked rotor time : 22 s (hot)  
Service factor : 1.15  
Duty cycle : S1  
Ambient temperature : -20°C - +40°C  
Altitude : 1000 m  
Degree of Protection : IP55  
Approximate weight : 112 lb  
Moment of inertia : 0.39914 sq.ft.lb  
Noise level : 50 dB(A)

	D.E.	N.D.E.	Load	Power factor	Efficiency (%)
Bearings	6307 2RS	6206 2RS	100%	0.52	78.5
Regreasing interval	---	---	75%	0.42	77.0
Grease amount	---	---	50%	0.32	74.0

Notes:  
Downloaded from <http://dealerselectric.com>  
Generated for Model #00109XT3E182T

Performed by

Checked



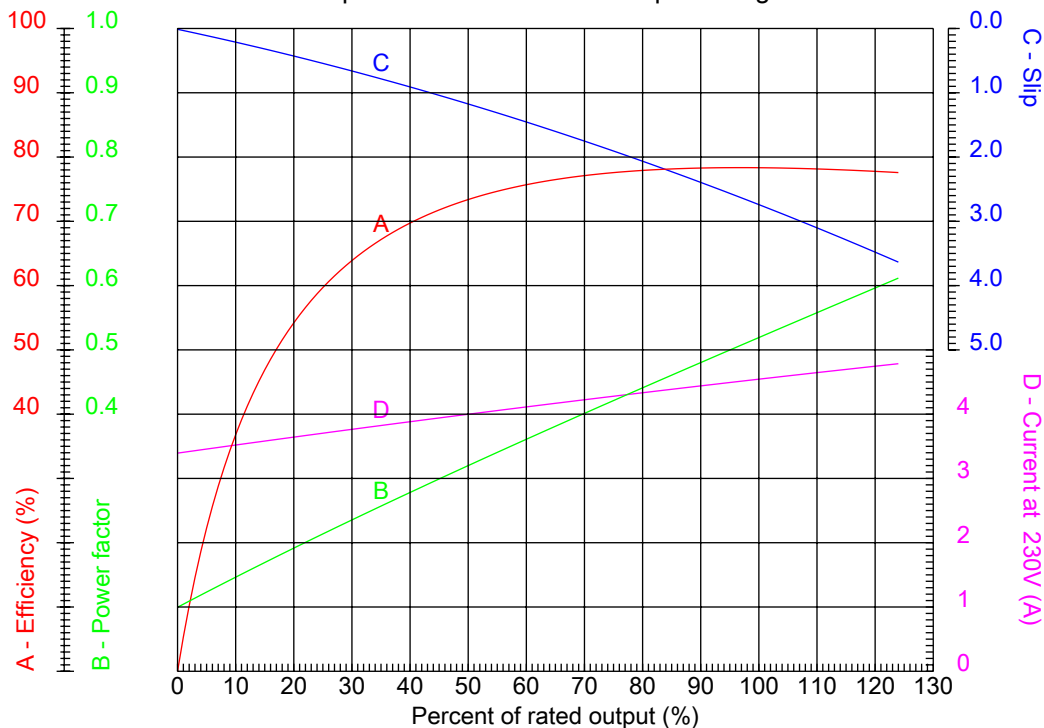
# Dealers Industrial Equipment

No.:

Date: 12-SEP-2016

## PERFORMANCE CURVES RELATED TO RATED OUTPUT

Three-phase induction motor - Squirrel cage rotor



Customer :  
 Product line : Three-Phase : Explosion Proof - NEMA Premium

Frame	: 182T	Locked rotor current (I <sub>l</sub> /I <sub>n</sub> )	: 6.0
Output	: 1 HP	Duty cycle	: S1
Frequency	: 60 Hz	Service factor	: 1.15
Full load speed	: 875 rpm	Design	: B
Voltage	: 208-230/460 V	Locked rotor torque	: 300 %
Rated current	: 5.09-4.60/2.30 A	Breakdown torque	: 350 %
Insulation class	: F		

Notes:  
 Downloaded from <http://dealerselectric.com>  
 Generated for Model #00109XT3E182T

Performed by

Checked



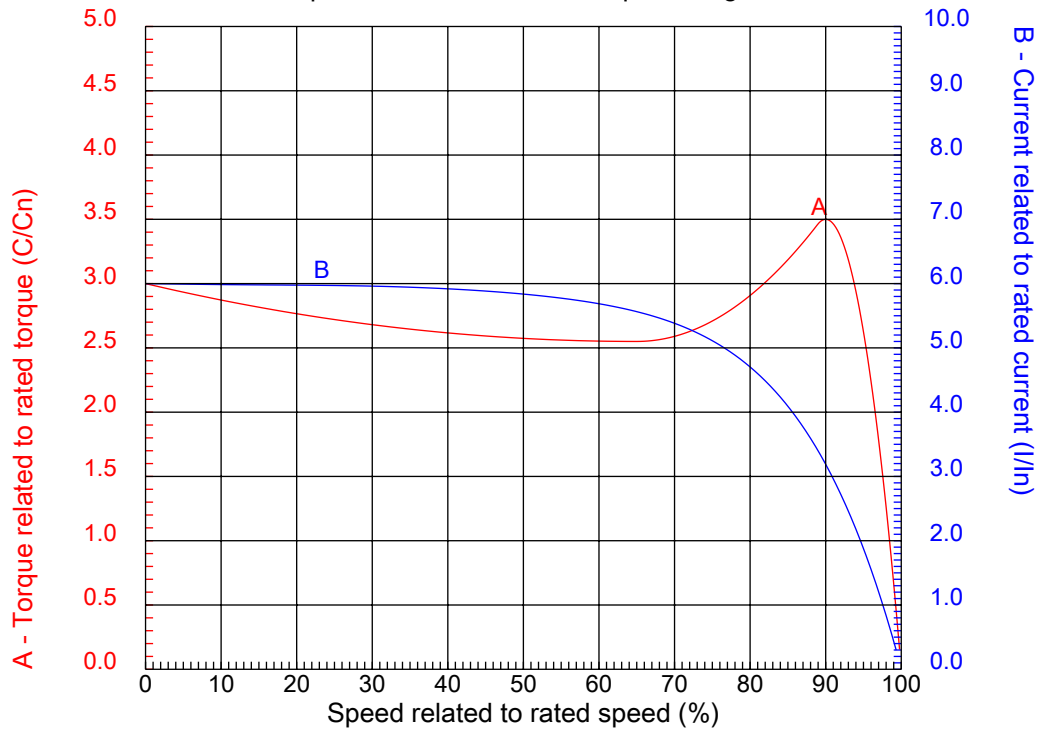
# Dealers Industrial Equipment

No.:

Date: 12-SEP-2016

## CHARACTERISTIC CURVES RELATED TO SPEED

Three-phase induction motor - Squirrel cage rotor



Customer :  
Product line : Three-Phase : Explosion Proof - NEMA Premium

Frame	: 182T	Locked rotor current (I <sub>l</sub> /I <sub>n</sub> )	: 6.0
Output	: 1 HP	Duty cycle	: S1
Frequency	: 60 Hz	Service factor	: 1.15
Full load speed	: 875 rpm	Design	: B
Voltage	: 208-230/460 V	Locked rotor torque	: 300 %
Rated current	: 5.09-4.60/2.30 A	Breakdown torque	: 350 %
Insulation class	: F		

Notes:  
Downloaded from <http://dealerselectric.com>  
Generated for Model #00109XT3E182T

Performed by

Checked

1 2 3 4 5 6 7 8

A

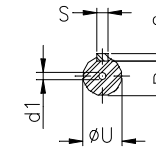
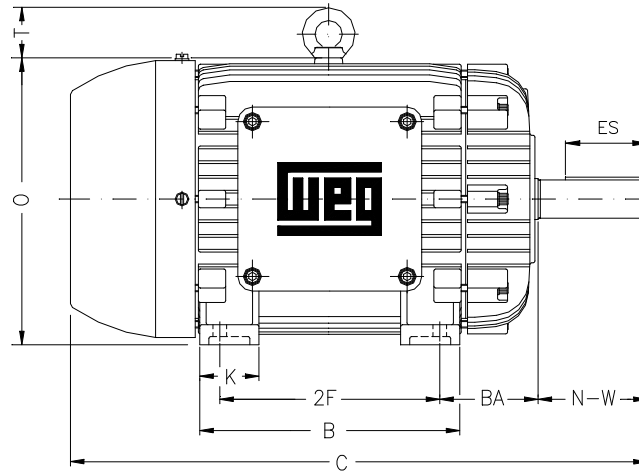
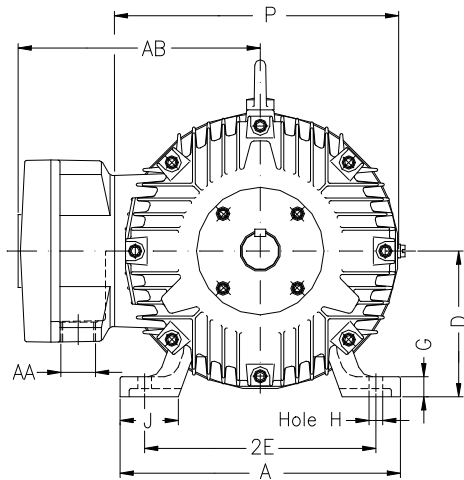
B

C

D

E

F



Notes: Downloaded from <http://dealerselectric.com>  
Generated for Model #00109XT3E182T

Performed by:

Checked:

Customer:

Three-Phase : Explosion Proof - NEMA Premium

Three-phase induction motor  
Frame 182T - IP55

12-SEP-2016



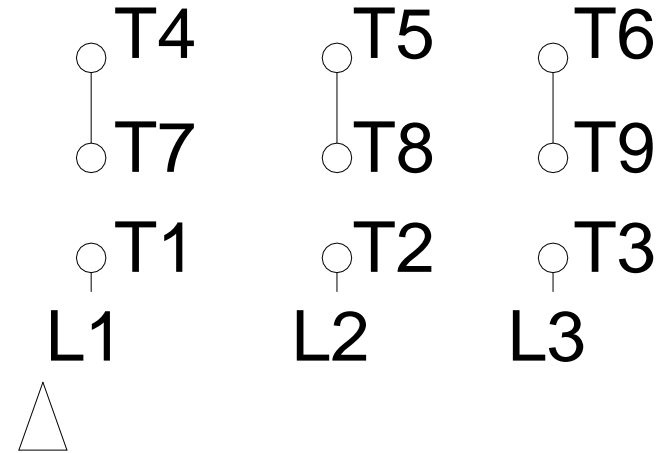
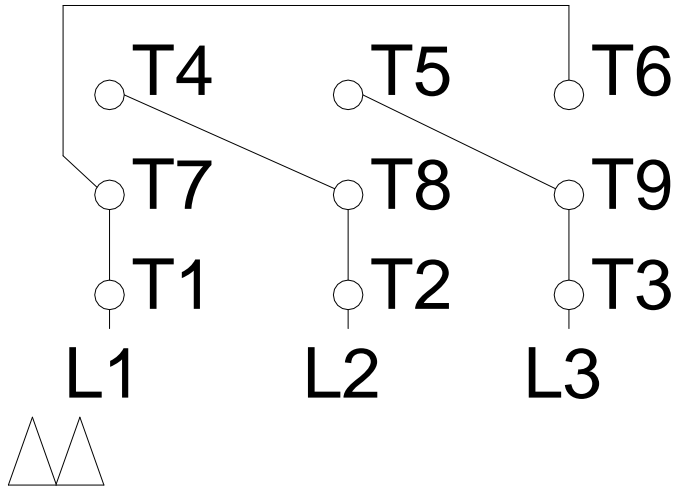
2E 7.500	A 8.661	2F 4.500	B 5.945	BA 2.750
J 1.890	K 1.969	P 8.909	ES 1.969	depth 0.250
S 0.250	N-W 2.750	U 1.125	R 0.984	AB 8.240
D 4.500	G 0.787	O 9.421	T 1.772	H 0.406
C 14.862	AA NPT 3/4"	d1 A 4	d2 A 4	

1 2 3 4 5 6 7 8

# LOW VOLTAGE

# HIGH VOLTAGE

A  
B  
C  
D  
E  
F



Notes: Downloaded from <a href="http://dealerselectric.com">http://dealerselectric.com</a> Generated for Model #00109XT3E182T		
Performed by:		
Checked:		
Customer:		
Three-Phase : Explosion Proof - NEMA Premium		
Three-phase induction motor Frame 182T - IP55	12-SEP-2016	