



Dealers Industrial Equipment

No.:

Date: 12-SEP-2016

Customer :

TECHNICAL PROPOSAL

Three-phase induction motor - Squirrel cage rotor

Product line : Three-Phase : Explosion Proof - High Efficiency

Catalog Number : 00109XP3E182T

List Price : \$1,512

Notes:

Downloaded from <http://dealerselectric.com>

Generated for Model #00109XP3E182T

Performed by:

Checked:



Dealers Industrial Equipment

No.:

Date: 12-SEP-2016

DATA SHEET Three-phase induction motor - Squirrel cage rotor

Customer :
Product line : Three-Phase : Explosion Proof - High Efficiency

Frame : 182T
Output : 1 HP
Frequency : 60 Hz
Poles : 8
Full load speed : 875 rpm
Slip : 2.78 %
Voltage : 208-230/460 V
Rated current : 5.12-4.63/2.31 A
Locked rotor current : 27.8/13.9 A
Locked rotor current (I_L/I_n) : 6.0
No-load current : 4.13/2.06 A
Full load torque : 5.92 lb.ft
Locked rotor torque : 300 %
Breakdown torque : 350 %
Design : B
Insulation class : F
Temperature rise : 80 K
Locked rotor time : 40 s (hot)
Service factor : 1.15
Duty cycle : S1
Ambient temperature : -20°C - +40°C
Altitude : 1000 m
Degree of Protection : IP54
Approximate weight : 112 lb
Moment of inertia : 0.39914 sq.ft.lb
Noise level : 50 dB(A)

| | D.E. | N.D.E. |
|---------------------|----------|----------|
| Bearings | 6307 2RS | 6206 2RS |
| Regreasing interval | --- | --- |
| Grease amount | --- | --- |

| Load | Power factor | Efficiency (%) |
|------|--------------|----------------|
| 100% | 0.55 | 74.0 |
| 75% | 0.45 | 72.0 |
| 50% | 0.35 | 68.0 |

Notes:
Downloaded from <http://dealerselectric.com>
Generated for Model #00109XP3E182T

Performed by

Checked



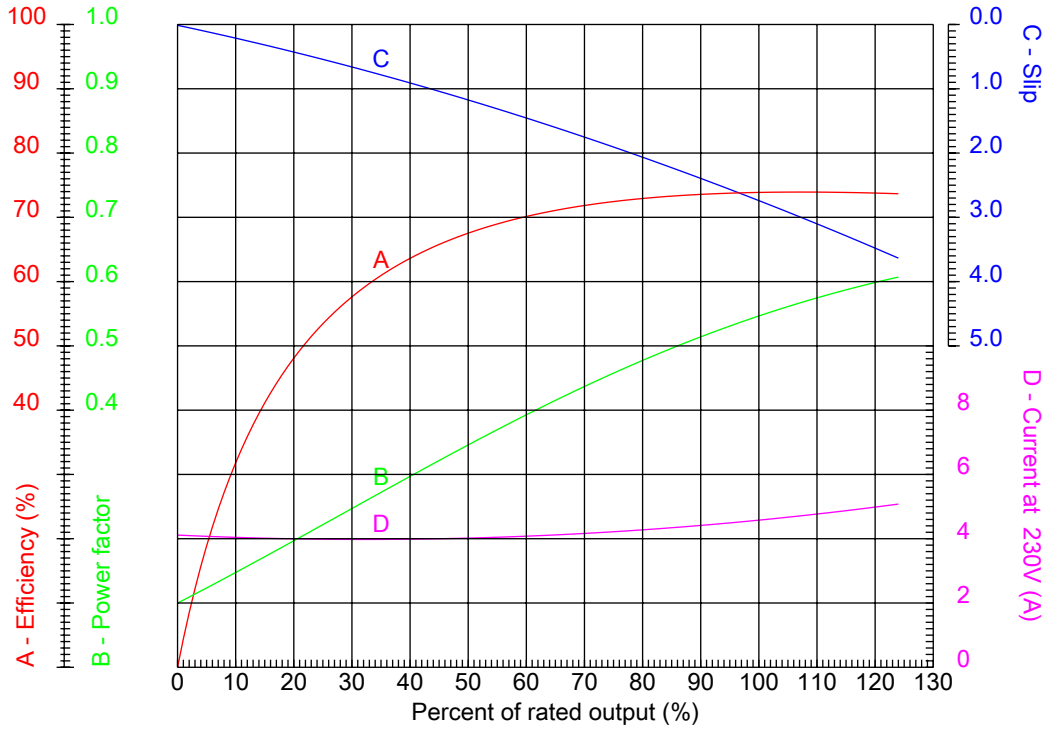
Dealers Industrial Equipment

No.:

Date: 12-SEP-2016

PERFORMANCE CURVES RELATED TO RATED OUTPUT

Three-phase induction motor - Squirrel cage rotor



Customer :
 Product line : Three-Phase : Explosion Proof - High Efficiency

| | | | |
|------------------|--------------------|--|---------|
| Frame | : 182T | Locked rotor current (I _l /I _n) | : 6.0 |
| Output | : 1 HP | Duty cycle | : S1 |
| Frequency | : 60 Hz | Service factor | : 1.15 |
| Full load speed | : 875 rpm | Design | : B |
| Voltage | : 208-230/460 V | Locked rotor torque | : 300 % |
| Rated current | : 5.12-4.63/2.31 A | Breakdown torque | : 350 % |
| Insulation class | : F | | |

Notes:
 Downloaded from <http://dealerselectric.com>
 Generated for Model #00109XP3E182T

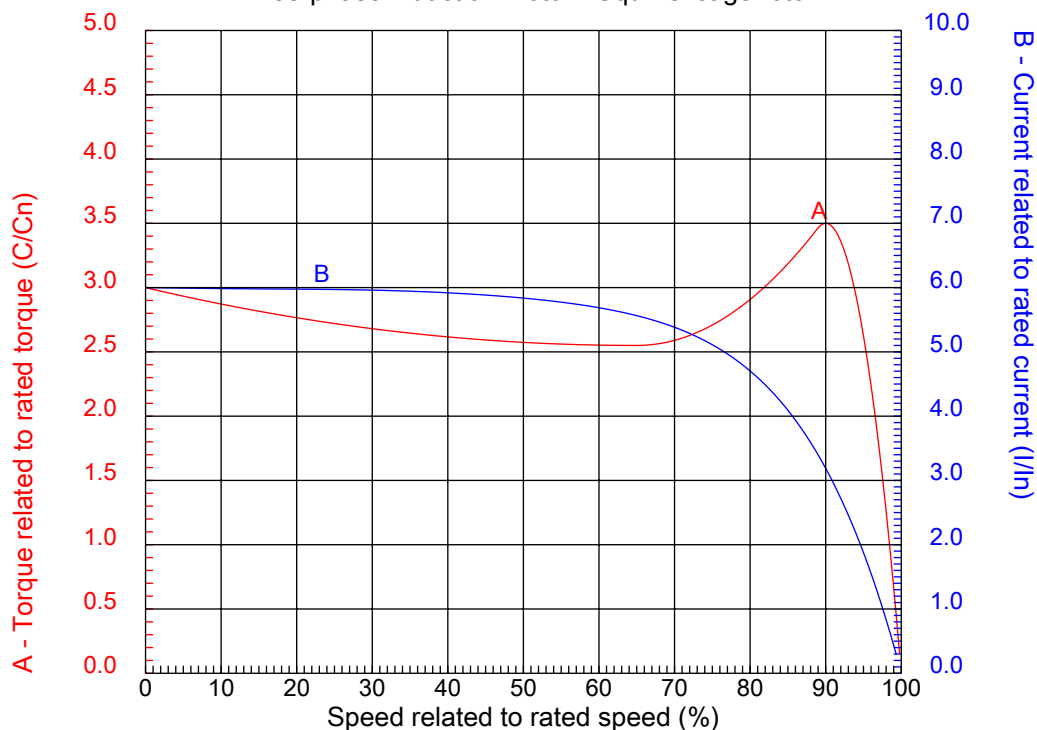
Performed by

Checked



CHARACTERISTIC CURVES RELATED TO SPEED

Three-phase induction motor - Squirrel cage rotor



Customer :
Product line : Three-Phase : Explosion Proof - High Efficiency

| | | | |
|------------------|--------------------|--|---------|
| Frame | : 182T | Locked rotor current (I _l /I _n) | : 6.0 |
| Output | : 1 HP | Duty cycle | : S1 |
| Frequency | : 60 Hz | Service factor | : 1.15 |
| Full load speed | : 875 rpm | Design | : B |
| Voltage | : 208-230/460 V | Locked rotor torque | : 300 % |
| Rated current | : 5.12-4.63/2.31 A | Breakdown torque | : 350 % |
| Insulation class | : F | | |

Notes:
Downloaded from <http://dealerselectric.com>
Generated for Model #00109XP3E182T

Performed by

Checked

1 2 3 4 5 6 7 8

A

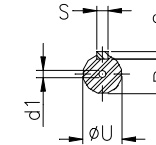
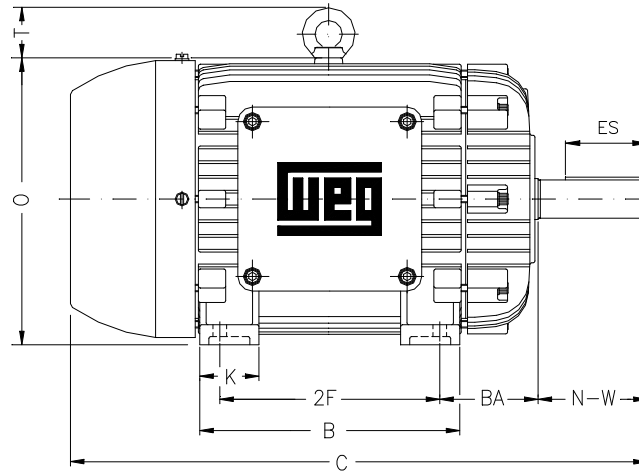
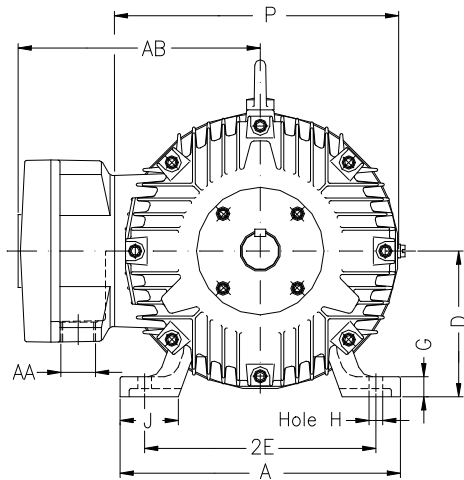
B

C

D

E

F



Notes: Downloaded from <http://dealerselectric.com>
Generated for Model #00109XP3E182T

Performed by:

Checked:

Customer:

Three-Phase : Explosion Proof - High Efficiency

Three-phase induction motor
Frame 182T - IP54

12-SEP-2016



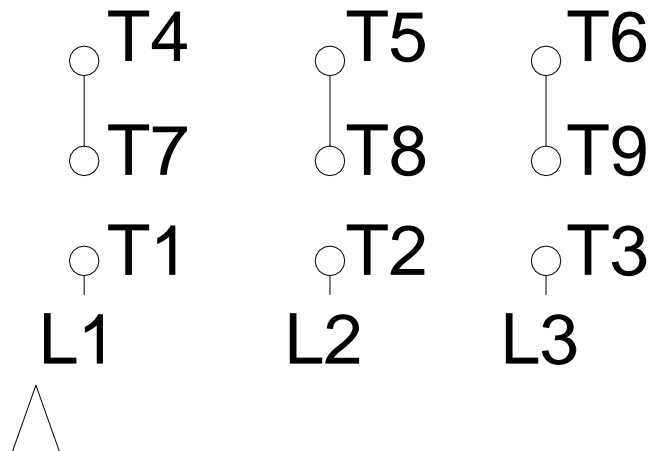
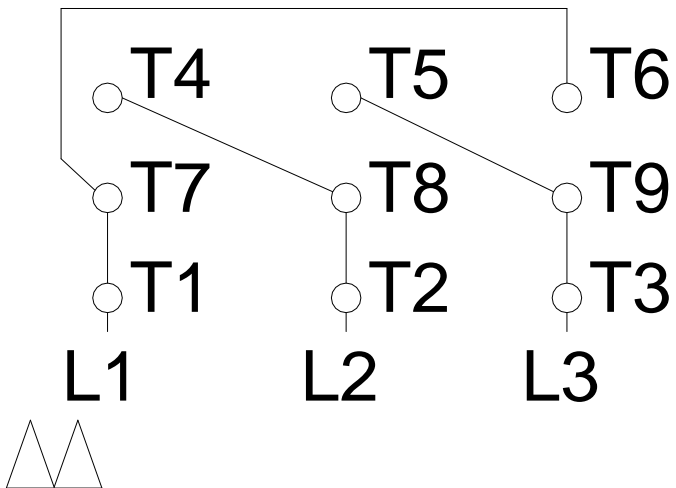
| | | | | |
|----------------|--------------|-------------|-------------|----------------|
| 2E 7.500 | A 8.661 | 2F 4.500 | B 5.945 | BA 2.750 |
| J 1.890 | K 1.969 | P 8.909 | ES 1.969 | depth 0.250 |
| S 0.250 | N-W 2.750 | U 1.125 | R 0.984 | AB 8.240 |
| D 4.500 | G 0.787 | O 9.421 | H 0.406 | C 14.862 |
| AA NPT 3/4" | d1 A 4 | d2 A 4 | T 1.772 | |

1 2 3 4 5 6 7 8

LOW VOLTAGE

HIGH VOLTAGE

A
B
C
D
E
F



Notes: Downloaded from <http://dealerselectric.com>
Generated for Model #00109XP3E182T

Performed by:

Checked:

Customer:

Three-Phase : Explosion Proof - High Efficiency

Three-phase induction motor
Frame 182T - IP54

12-SEP-2016

